

Description

The 870161 is a low skew, 1:16 LVCMOS/LVTTL Clock Generator. The device has four banks of four outputs and each bank can be independently selected for ÷1 or ÷2 frequency operation. Each bank also has its own power supply pins so that the banks can operate at the following different voltage levels: 3.3V, 2.5V, and 1.8V. The low impedance LVCMOS/LVTTL outputs are designed to drive 50Ω series or parallel terminated transmission lines.

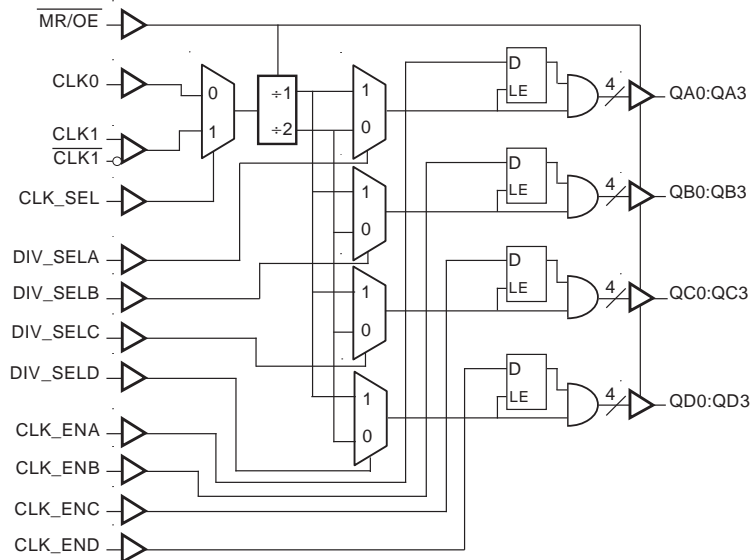
The divide select inputs, DIV_SELA:DIV_SELD, control the output frequency of each bank. The output banks can be independently selected for ÷1 or ÷2 operation. The bank enable inputs, CLK_ENA:CLK_END, support enabling and disabling each bank of outputs individually. The CLK_ENA:CLK_END circuitry has a synchronizer to prevent runt pulses when enabling or disabling the clock outputs. The master reset input, MR/OE, resets the ÷1/÷2 flip flops and also controls the active and high impedance states of all outputs. This pin has an internal pull-up resistor and is normally used only for test purposes or in systems which use low power modes.

The 870161 is characterized to operate with the core at 3.3V or 2.5V and the banks at 3.3V, 2.5V, or 1.8V. Guaranteed bank, output, and part-to-part skew characteristics make the 870161 ideal for those clock applications demanding well-defined performance and repeatability.

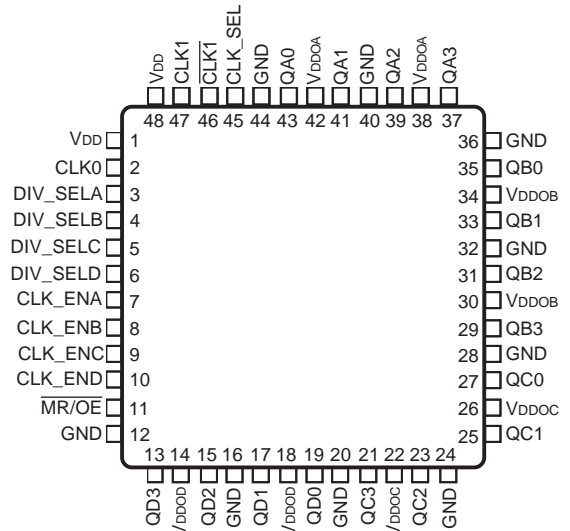
Features

- Sixteen LVCMOS/LVTTL outputs (4 banks of 4 outputs)
- Selectable differential CLK1/CLK1 or LVCMOS/LVTTL clock input
- CLK1, CLK1 pair can accept the following differential input levels: LVPECL, LVDS, LVHSTL, SSTL, HCSL
- CLK0 supports the following input types: LVCMOS, LVTTL
- Maximum output frequency: 250MHz
- Independent bank control for ÷1 or ÷2 operation
- Independent output bank voltage settings for 3.3V, 2.5V, or 1.8V operation
- Asynchronous clock enable/disable
- Output skew: 170ps (maximum)
- Bank skew: 50ps (maximum)
- Part-to-Part Skew: 800ps (maximum)
- Supply modes:
Core/Output
3.3V/3.3V
3.3V/2.5V
3.3V/1.8V
2.5V/2.5V
2.5V/1.8V
- -40°C to 85°C ambient operating temperature
- Lead-free packaging

Block Diagram



Pin Assignment



870161
48-LQFP
7 × 7 × 1.4 mm package body
Y Package
Top View

Table 1. Pin Descriptions

Number	Name	Type		Description
1, 48	V _{DD}	Power		Positive supply pins.
2	CLK0	Input	Pulldown	Single-ended clock input. LVCMOS/LVTTL interface levels.
3	DIV_SELA	Input	Pullup	Controls frequency division for Bank A outputs. See Table 3. LVCMOS / LVTTL interface levels.
4	DIV_SELB	Input	Pullup	Controls frequency division for Bank B outputs. See Table 3. LVCMOS / LVTTL interface levels.
5	DIV_SELC	Input	Pullup	Controls frequency division for Bank C outputs. See Table 3. LVCMOS / LVTTL interface levels.
6	DIV_SELD	Input	Pullup	Controls frequency division for Bank D outputs. See Table 3. LVCMOS / LVTTL interface levels.
7	CLK_ENA	Input	Pullup	Output enable for Bank A outputs. Active HIGH. If pin is LOW, outputs drive low. LVCMOS/LVTTL interface levels. See Table 3.
8	CLK_ENB	Input	Pullup	Output enable for Bank A outputs. Active HIGH. If pin is LOW, outputs drive low. LVCMOS/LVTTL interface levels. See Table 3.
9	CLK_ENC	Input	Pullup	Output enable for Bank A outputs. Active HIGH. If pin is LOW, outputs drive low. LVCMOS/LVTTL interface levels. See Table 3.
10	CLK_END	Input	Pullup	Output enable for Bank A outputs. Active HIGH. If pin is LOW, outputs drive low. LVCMOS/LVTTL interface levels. See Table 3.
11	$\overline{\text{MR/OE}}$	Input	Pullup	Master reset. When LOW, resets the $\pm 1/\pm 2$ flip flops and sets the outputs to high impedance. LVCMOS / LVTTL interface levels.
12, 16, 20, 24, 28, 32, 36, 40, 44	GND	Power		Power supply ground
13, 15, 17, 19	QD3, QD2, QD1, QD0	Output		Bank D single-ended clock outputs. LVCMOS/LVTTL interface levels.
14, 18	V _{DDOD}	Power		Bank D output supply pins.
21, 23, 25, 27	QC3, QC2, QC1, QC0	Output		Bank C single-ended clock outputs. LVCMOS/LVTTL interface levels.
22, 26	V _{DDOC}	Power		Bank C output supply pins.
29, 31, 33, 35	QB3, QB2, QB1, QB0	Output		Bank C single-ended clock outputs. LVCMOS/LVTTL interface levels.
30, 34	V _{DDOB}	Power		Bank B output supply pins.
37, 39, 41, 43	QA3, QA2, QA1, QA0	Output		Bank A single-ended clock outputs. LVCMOS/LVTTL interface levels.
38, 42	V _{DDOA}	Power		Bank B output supply pins.
45	CLK_SEL	Input	Pulldown	Clock select input. When HIGH, selects CLK1, CLK1 inputs. When LOW, selects CLK0 input. LVCMOS / LVTTL interface levels.
46	$\overline{\text{CLK1}}$	Input	Pullup	Inverting differential clock input.
47	CLK1	Input	Pulldown	Non-inverting differential clock input.

NOTE: Pullup and Pulldown refer to internal input resistors. See Table 2, Pin Characteristics, for typical values.

Table 2. Pin Characteristics

Symbol	Parameter	Test Conditions	Minimum	Typical	Maximum	Units
C _{IN}	Input Capacitance			4		pF
R _{PULLUP}	Input Pull-up Resistor			51		kΩ
R _{PULLDOWN}	Input Pull-down Resistor			51		kΩ
C _{PD}	Power Dissipation Capacitance (per output); NOTE 1	V _{DD} , V _{DDOx} = 3.465V			18	pF
		V _{DD} , V _{DDOx} = 2.625V			12	pF
		V _{DD} = 3.465V, V _{DDOx} = 2.625V			20	pF
		V _{DD} = 3.465V, V _{DDOx} = 1.89V			30	pF
		V _{DD} = 2.625V, V _{DDOx} = 1.89V			14	pF
R _{OUT}	Output Impedance		5	7	12	Ω

NOTE 1: V_{DDOx} denotes V_{DDOA}, V_{DDOB}, V_{DDOC}, V_{DDOD}.

Function Tables

Table 3. Function Table

Inputs			Outputs	
MR/OE	CLK_ENx	DIV_SELx	Bank [A:D]	Qx Frequency
0	X	X	Hi-Z	N/A
1	1	0	Active	f _N /2
1	1	1	Active	f _N
1	0	X	LOW	N/A

Absolute Maximum Ratings

NOTE: Stresses beyond those listed under *Absolute Maximum Ratings* may cause permanent damage to the device. These ratings are stress specifications only. Functional operation of product at these conditions or any conditions beyond those listed in the *DC Characteristics* or *AC Characteristics* is not implied. Exposure to absolute maximum rating conditions for extended periods may affect product reliability.

Item	Rating
Supply Voltage, V_{CC}	4.6V
Inputs, V_I	-0.5V to $V_{DD} + 0.5V$
Outputs, V_O	-0.5V to $V_{DD\ OX} + 0.5V$
Package Thermal Impedance, θ_{JA}	47.9°C/W (0 lfpm)
Storage Temperature, T_{STG}	-65°C to 150°C

DC Electrical Characteristics

Table 4A. Power Supply DC Characteristics, $V_{DD} = 3.3V \pm 5\%$, $V_{DDOx} = 3.3V \pm 5\%$, $2.5V \pm 5\%$, $1.8V \pm 5\%$, $T_A = -40^\circ C$ to $85^\circ C$

Symbol	Parameter	Test Conditions	Minimum	Typical	Maximum	Units
V_{DD}	Positive Supply Voltage		3.135	3.3	3.465	V
V_{DDOA} , V_{DDOB} , V_{DDOC} , V_{DDOD}	Output Supply Voltage		3.135	3.3	3.465	V
			2.375	2.5	2.625	V
			1.71	1.8	1.89	V
I_{DD}	Power Supply Current				100	mA
I_{DDOA} , I_{DDOB} , I_{DDOC} , I_{DDOD}	Output Supply Current				15	mA

Table 4B. Power Supply DC Characteristics, $V_{DD} = 2.5V \pm 5\%$, $V_{DDOx} = 2.5V \pm 5\%$, $1.8V \pm 5\%$, $T_A = -40^\circ C$ to $85^\circ C$

Symbol	Parameter	Test Conditions	Minimum	Typical	Maximum	Units
V_{DD}	Positive Supply Voltage		2.375	2.5	2.625	V
V_{DDOA} , V_{DDOB} , V_{DDOC} , V_{DDOD}	Output Supply Voltage		2.375	2.5	2.625	V
			1.71	1.8	1.89	V
I_{DD}	Power Supply Current				95	mA
I_{DDOA} , I_{DDOB} , I_{DDOC} , I_{DDOD}	Output Supply Current				8	mA

Table 4C. LVCMOS/LVTTL DC Characteristics, $T_A = -40^{\circ}\text{C}$ to 85°C

Symbol	Parameter		Test Conditions	Minimum	Typical	Maximum	Units
V_{IH}	Input High Voltage		$V_{DD} = 3.465\text{V}$	2		$V_{DD} + 0.3$	V
			$V_{DD} = 2.625\text{V}$	1.7		$V_{DD} + 0.3$	V
V_{IL}	Input Low Voltage		$V_{DD} = 3.465\text{V}$	-0.3		0.8	V
			$V_{DD} = 2.625\text{V}$	-0.3		0.7	V
I_{IH}	Input High Current	CLK0, CLK_SEL	$V_{DD} = V_{IN} = 3.465\text{V}$ or 2.625V			150	μA
		CLK_EN[A:D], DIV_SEL[A:D], MR/OE	$V_{DD} = V_{IN} = 3.465\text{V}$ or 2.625V			5	μA
I_{IL}	Input Low Current	CLK0, CLK_SEL	$V_{DD} = 3.465\text{V}$ or 2.625V , $V_{IN} = 0\text{V}$	-5			μA
		CLK_EN[A:D], DIV_SEL[A:D], MR/OE	$V_{DD} = 3.465\text{V}$ or 2.625V , $V_{IN} = 0\text{V}$	-150			μA
V_{OH}	Output High Voltage; NOTE 1		$V_{DDOX} = 3.3\text{V} \pm 5\%$	2.6			V
			$V_{DDOX} = 2.5\text{V} \pm 5\%$	1.8			V
			$V_{DDOX} = 1.8\text{V} \pm 5\%$; $I_{OH} = -2\text{mA}$	$V_{DDOX} - 0.45$			V
V_{OL}	Output Low Voltage; NOTE 1		$V_{DDOX} = 3.3\text{V} \pm 5\%$			0.5	V
			$V_{DDOX} = 2.5\text{V} \pm 5\%$			0.5	V
			$V_{DDOX} = 1.8\text{V} \pm 5\%$; $I_{OH} = 2\text{mA}$			0.45	V
I_{OZL}	Output Hi-Z Current Low			-5		μA	
I_{OZH}	Output Hi-Z Current High				5	μA	

NOTE 1: Outputs terminated with 50Ω to $V_{DDOX}/2$. See Parameter Measurement Information, *Output Load Test Circuit diagrams*.

Table 4D. Differential DC Characteristics, $T_A = -40^{\circ}\text{C}$ to 85°C

Symbol	Parameter		Test Conditions	Minimum	Typical	Maximum	Units
I_{IH}	Input High Current	$\overline{\text{CLK1}}$	$V_{DD} = V_{IN} = 3.465\text{V}$ or 2.625V			5	μA
		CLK1	$V_{DD} = V_{IN} = 3.465\text{V}$ or 2.625V			150	μA
I_{IL}	Input Low Current	$\overline{\text{CLK1}}$	$V_{DD} = 3.465\text{V}$ or 2.625V , $V_{IN} = 0\text{V}$	-150			μA
		CLK1	$V_{DD} = 3.465\text{V}$ or 2.625V , $V_{IN} = 0\text{V}$	-5			μA
V_{PP}	Peak-to-Peak Voltage			0.15		1.3	V
V_{CMR}	Common Mode Input Voltage; NOTE 1, 2			GND + 0.5		$V_{DD} - 0.85$	V

NOTE 1: Common mode input voltage is defined as V_{IH} .

NOTE 2: For single-ended applications, the maximum input voltage for CLK1, $\overline{\text{CLK1}}$ is $V_{DD} + 0.3\text{V}$.

AC Electrical Characteristics

Table 5A. AC Characteristics, $V_{DD} = V_{DDOx} = 3.3V \pm 5\%$, $T_A = -40^\circ C$ to $85^\circ C$

Parameter	Symbol	Test Conditions	Minimum	Typical	Maximum	Units
f_{MAX}	Output Frequency				250	MHz
t_{PLH}	Propagation Delay, Low to High	CLK0; NOTE 1A	2.8	3.4	3.9	ns
		CLK1/CLK1; NOTE 1B	2.75	3.4	4.1	ns
$t_{sk(b)}$	Bank Skew; NOTE 2, 6	Measured on the Rising Edge			50	ps
$t_{sk(o)}$	Output Skew; NOTE 3, 6	Measured on the Rising Edge			170	ps
$t_{sk(pp)}$	Part-to-Part Skew; NOTE 4, 6				800	ps
t_R / t_F	Output Rise/Fall Time; NOTE 5	20% to 80%	200		700	ps
odc	Output Duty Cycle	$f < 175MHz$	45		55	%
		$f \geq 175MHz$	40		60	%
t_{EN}	Output Enable Time; NOTE 5				10	ns
t_{DIS}	Output Disable Time; NOTE 5				10	ns

All parameters measured at 250MHz unless noted otherwise.

NOTE 1A: Measured from the $V_{DD}/2$ of the input to $V_{DDOx}/2$ of the output.

NOTE 1B: Measured from the differential input crossing point to $V_{DDOx}/2$ of the output.

NOTE 2: Defined as skew within a bank with equal load conditions.

NOTE 3: Defined as skew between outputs at the same supply voltage and with equal load conditions. Measured at $V_{DDOx}/2$.

NOTE 4: Defined as skew between outputs on different devices operating at the same supply voltages and with equal load conditions. Using the same type of input on each device, the output is measured at $V_{DDOx}/2$.

NOTE 5: These parameters are guaranteed by characterization. Not tested in production.

NOTE 6: This parameter is defined in accordance with JEDEC Standard 65.

Table 5B. AC Characteristics, $V_{DD} = V_{DDOx} = 2.5V \pm 5\%$, $T_A = -40^\circ C$ to $85^\circ C$

Parameter	Symbol	Test Conditions	Minimum	Typical	Maximum	Units
f_{MAX}	Output Frequency				250	MHz
t_{PLH}	Propagation Delay, Low to High	CLK0; NOTE 1A	2.9	3.8	4.7	ns
		CLK1/CLK1; NOTE 1B	3.0	3.6	4.3	ns
$t_{sk(b)}$	Bank Skew; NOTE 2, 6	Measured on the Rising Edge			70	ps
$t_{sk(o)}$	Output Skew; NOTE 3, 6	Measured on the Rising Edge			210	ps
$t_{sk(pp)}$	Part-to-Part Skew; NOTE 4, 6				800	ps
t_R / t_F	Output Rise/Fall Time; NOTE 5	20% to 80%	150		700	ps
odc	Output Duty Cycle	$f \leq 125MHz$	40		60	%
t_{pw}	Output Pulse Width	$f > 125MHz$	$t_{Period}/2 - 800$		$t_{Period}/2 + 800$	ps
t_{EN}	Output Enable Time; NOTE 5				10	ns
t_{DIS}	Output Disable Time; NOTE 5				10	ns

For NOTES, please see above, Table 5A.

Table 5C. AC Characteristics, $V_{DD} = 3.3V \pm 5\%$, $V_{DDOx} = 2.5V \pm 5\%$, $T_A = -40^{\circ}C$ to $85^{\circ}C$

Parameter	Symbol	Test Conditions	Minimum	Typical	Maximum	Units
f_{MAX}	Output Frequency				250	MHz
t_{pLH}	Propagation Delay, Low to High	CLK0; NOTE 1A	2.9	3.5	4.0	ns
		CLK1/CLK1; NOTE 1B	3.0	3.5	4.0	ns
$t_{sk(b)}$	Bank Skew; NOTE 2, 6	Measured on the Rising Edge			50	ps
$t_{sk(o)}$	Output Skew; NOTE 3, 6	Measured on the Rising Edge			170	ps
$t_{sk(pp)}$	Part-to-Part Skew; NOTE 4, 6				800	ps
t_R / t_F	Output Rise/Fall Time; NOTE 5	20% to 80%	200		700	ps
odc	Output Duty Cycle	$f < 175MHz$	45		55	%
		$f \geq 175MHz$	40		60	%
t_{EN}	Output Enable Time; NOTE 5				10	ns
t_{DIS}	Output Disable Time; NOTE 5				10	ns

All parameters measured at 250MHz unless noted otherwise.

NOTE 1A: Measured from the $V_{DD}/2$ of the input to $V_{DDOx}/2$ of the output.

NOTE 1B: Measured from the differential input crossing point to $V_{DDOx}/2$ of the output.

NOTE 2: Defined as skew within a bank with equal load conditions.

NOTE 3: Defined as skew between outputs at the same supply voltage and with equal load conditions. Measured at $V_{DDOx}/2$.

NOTE 4: Defined as skew between outputs on different devices operating at the same supply voltages and with equal load conditions. Using the same type of input on each device, the output is measured at $V_{DDOx}/2$.

NOTE 5: These parameters are guaranteed by characterization. Not tested in production.

NOTE 6: This parameter is defined in accordance with JEDEC Standard 65.

Table 5D. AC Characteristics, $V_{DD} = 3.3V \pm 5\%$, $V_{DDOx} = 1.8V \pm 5\%$, $T_A = -40^{\circ}C$ to $85^{\circ}C$

Parameter	Symbol	Test Conditions	Minimum	Typical	Maximum	Units
f_{MAX}	Output Frequency				250	MHz
t_{pLH}	Propagation Delay, Low to High	CLK0; NOTE 1A	3.0	3.9	4.7	ns
		CLK1/CLK1; NOTE 1B	3.0	3.9	4.7	ns
$t_{sk(b)}$	Bank Skew; NOTE 2, 6	Measured on the Rising Edge			50	ps
$t_{sk(o)}$	Output Skew; NOTE 3, 6	Measured on the Rising Edge			170	ps
$t_{sk(pp)}$	Part-to-Part Skew; NOTE 4, 6				800	ps
t_R / t_F	Output Rise/Fall Time; NOTE 5	20% to 80%	200		700	ps
odc	Output Duty Cycle	$f < 175MHz$	45		55	%
		$f \geq 175MHz$	40		60	%
t_{EN}	Output Enable Time; NOTE 5				10	ns
t_{DIS}	Output Disable Time; NOTE 5				10	ns

For NOTES, please see above, Table 5C.

Table 5E. AC Characteristics, $V_{DD} = 2.5V \pm 5\%$, $V_{DDOX} = 1.8V \pm 5\%$, $T_A = -40^{\circ}C$ to $85^{\circ}C$

Parameter	Symbol	Test Conditions	Minimum	Typical	Maximum	Units
f_{MAX}	Output Frequency				250	MHz
t_{PLH}	Propagation Delay, Low to High	CLK0; NOTE 1A	3.1	4.1	5.2	ns
		CLK1/CLK1; NOTE 1B	3.0	3.9	4.7	ns
$t_{sk}(b)$	Bank Skew; NOTE 2, 6	Measured on the Rising Edge			70	ps
$t_{sk}(o)$	Output Skew; NOTE 3, 6	Measured on the Rising Edge			210	ps
$t_{sk}(pp)$	Part-to-Part Skew; NOTE 4, 6				800	ps
t_R / t_F	Output Rise/Fall Time; NOTE 5	20% to 80%	150		700	ps
odc	Output Duty Cycle	$f < 175MHz$	45		55	%
		$f \geq 175MHz$	40		60	%
t_{EN}	Output Enable Time; NOTE 5				10	ns
t_{DIS}	Output Disable Time; NOTE 5				10	ns

All parameters measured at 250MHz unless noted otherwise.

NOTE 1A: Measured from the $V_{DD}/2$ of the input to $V_{DDOX}/2$ of the output.

NOTE 1B: Measured from the differential input crossing point to $V_{DDOX}/2$ of the output.

NOTE 2: Defined as skew within a bank with equal load conditions.

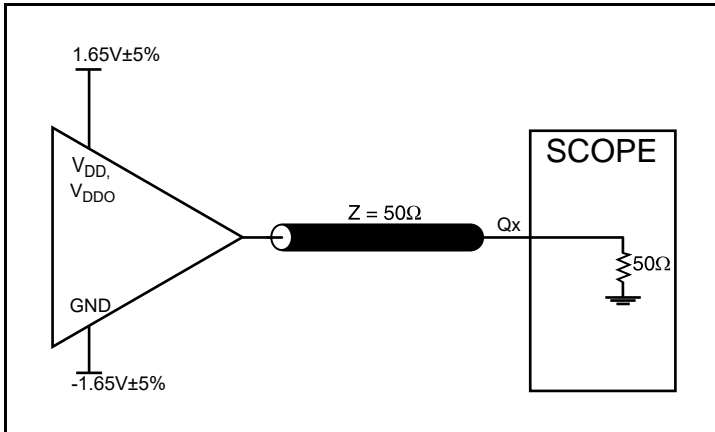
NOTE 3: Defined as skew between outputs at the same supply voltage and with equal load conditions. Measured at $V_{DDOX}/2$.

NOTE 4: Defined as skew between outputs on different devices operating at the same supply voltages and with equal load conditions. Using the same type of input on each device, the output is measured at $V_{DDOX}/2$.

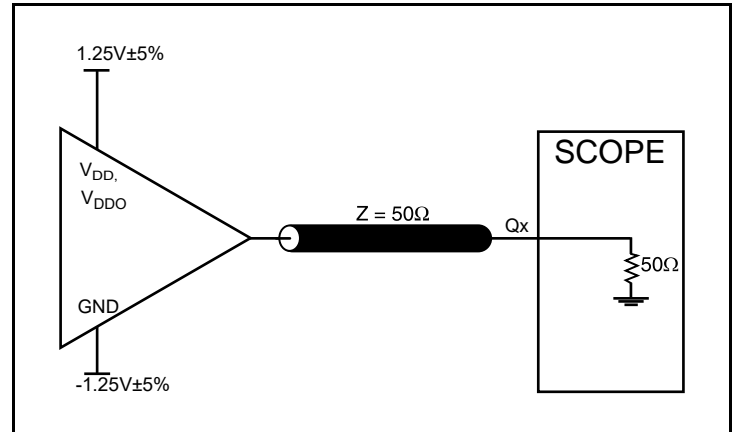
NOTE 5: These parameters are guaranteed by characterization. Not tested in production.

NOTE 6: This parameter is defined in accordance with JEDEC Standard 65.

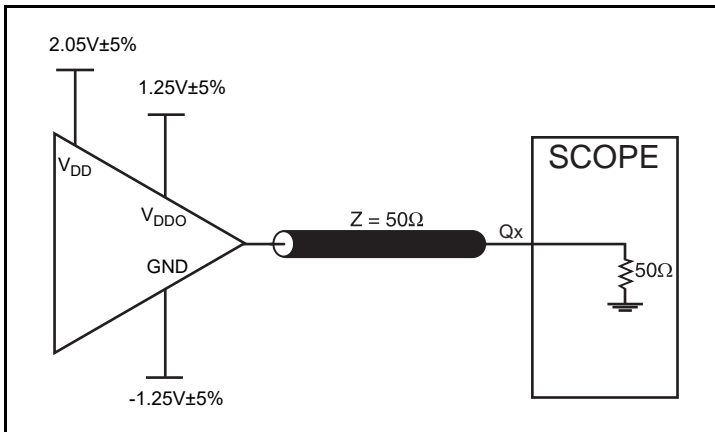
Parameter Measurement Information



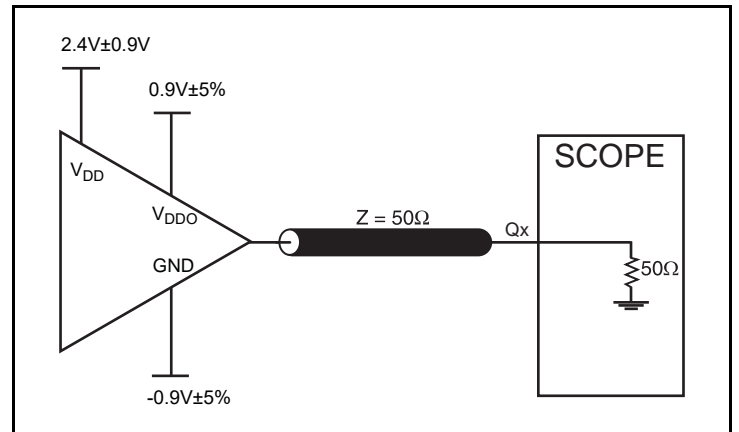
3.3V Core/3.3V LVCMOS Output Load Test Circuit



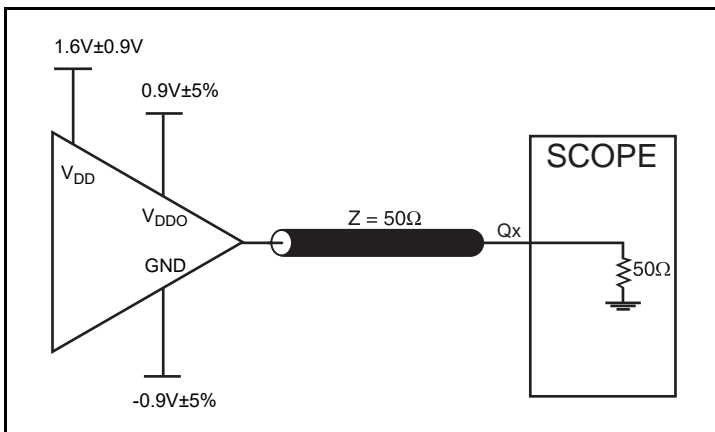
2.5V Core/2.5V LVCMOS Output Load Test Circuit



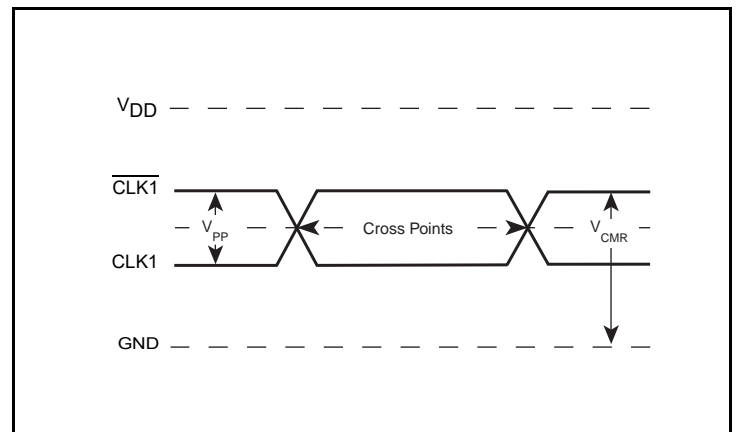
3.3V Core/2.5V LVCMOS Output Load Test Circuit



3.3V Core/1.8V LVCMOS Output Load Test Circuit

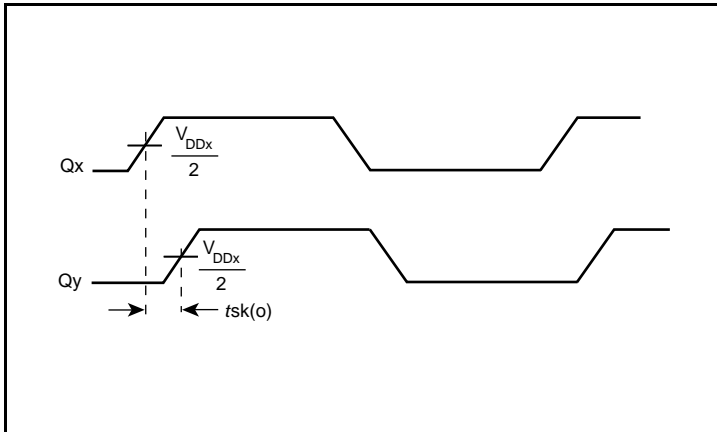


2.5V Core/1.8V LVCMOS Output Load Test Circuit

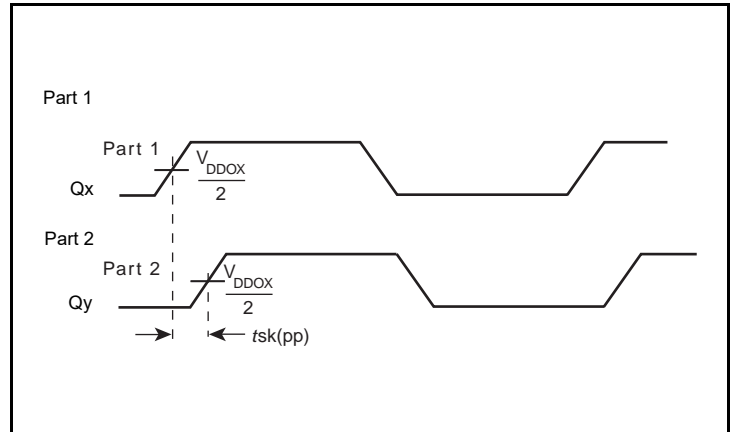


Differential Input Level

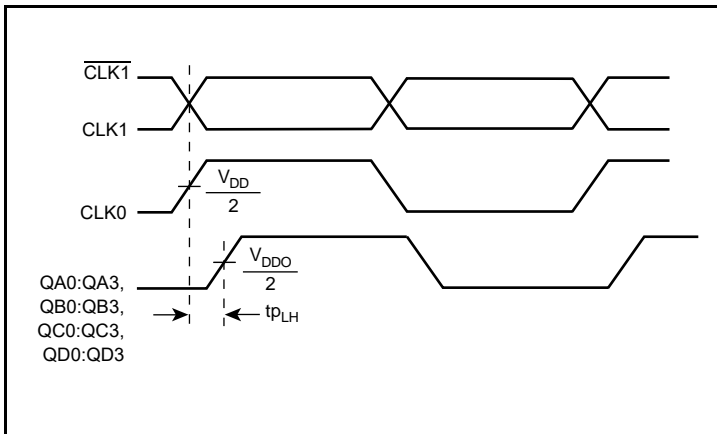
Parameter Measurement Information, continued



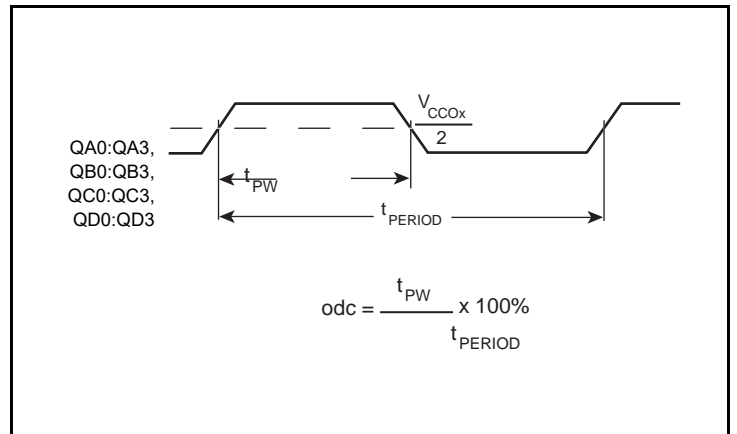
Output Skew



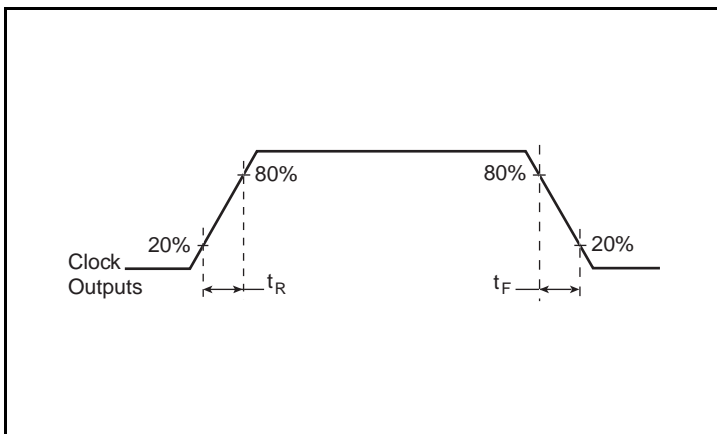
Part-to-Part Skew



Propagation Delay



Output Duty Cycle/Pulse Width/Period



Output Rise/Fall Time

Application Information

Wiring the Differential Input to Accept Single Ended Levels

Figure 1 shows how the differential input can be wired to accept single ended levels. The reference voltage $V_{REF} = V_{DD}/2$ is generated by the bias resistors R1, R2 and C1. This bias circuit should be located as close as possible to the input pin. The ratio of R1 and R2 might need to be adjusted to position the V_{REF} in the center of the input voltage swing. For example, if the input clock swing is only 2.5V and $V_{DD} = 3.3V$, V_{REF} should be 1.25V and $R2/R1 = 0.609$.

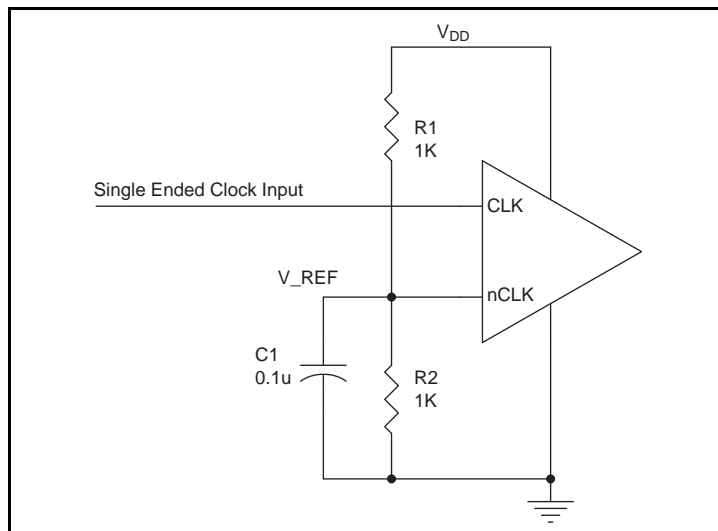


Figure 1. Single-Ended Signal Driving Differential Input

Recommendations for Unused Input and Output Pins

Inputs

CLK/ $\overline{\text{CLK}}$ Inputs

For applications not requiring the use of the differential input, both CLK and $\overline{\text{CLK}}$ can be left floating. Though not required, but for additional protection, a $1k\Omega$ resistor can be tied from CLK to ground.

CLK Input

For applications not requiring the use of a clock input, it can be left floating. Though not required, but for additional protection, a $1k\Omega$ resistor can be tied from the CLK input to ground.

LVC MOS Control Pins

All control pins have internal pull-ups or pull-downs; additional resistance is not required but can be added for additional protection. A $1k\Omega$ resistor can be used.

Outputs

LVC MOS Outputs

All unused LVC MOS output can be left floating. There should be no trace attached.

Differential Clock Input Interface

The CLK / $\overline{\text{CLK}}$ accepts LVDS, LVPECL, LVHSTL, SSTL, HCSL and other differential signals. Both signals must meet the V_{PP} and V_{CMR} input requirements. Figures 2A to 2E show interface examples for the CLK/ $\overline{\text{CLK}}$ input driven by the most common driver types. The input interfaces suggested here are examples only. Please consult with the

vendor of the driver component to confirm the driver termination requirements. For example, in Figure 2A, the input termination applies for Renesas LVHSTL drivers. If you are using an LVHSTL driver from another vendor, use their termination recommendation.

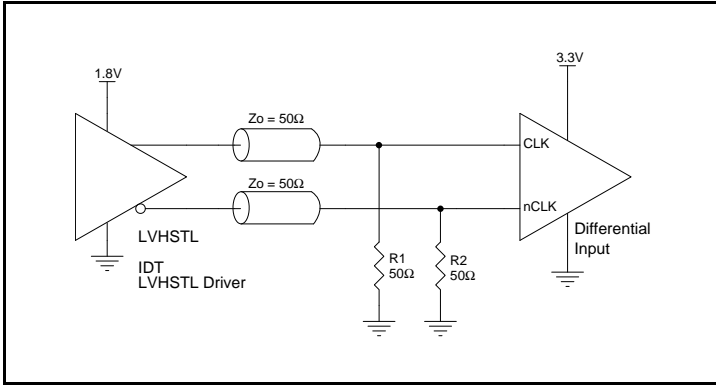


Figure 2A. CLK/ $\overline{\text{CLK}}$ Input Driven by a Renesas LVHSTL Driver

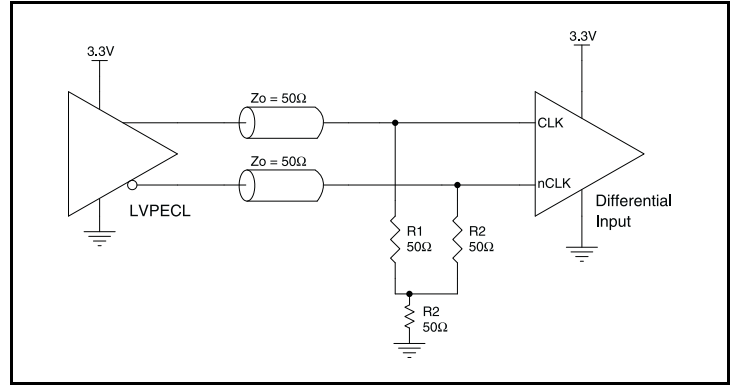


Figure 2B. CLK/ $\overline{\text{CLK}}$ Input Driven by a 3.3V LVPECL Driver

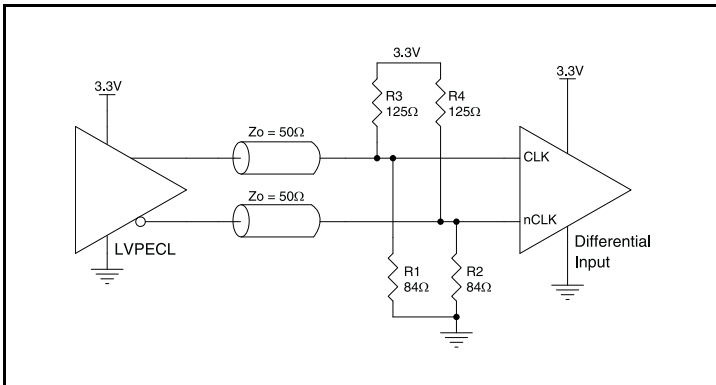


Figure 2C. CLK/ $\overline{\text{CLK}}$ Input Driven by a 3.3V LVPECL Driver

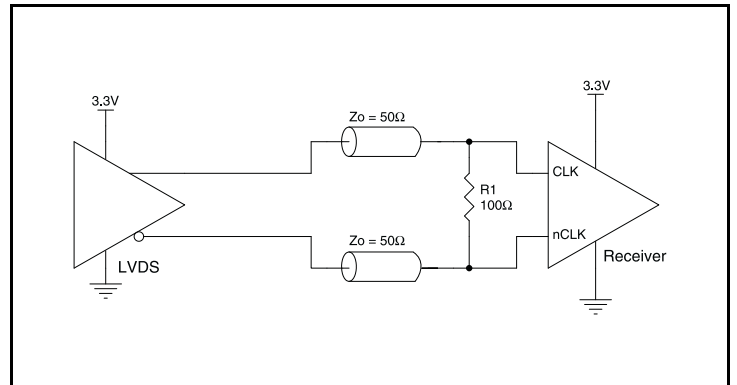


Figure 2D. CLK/ $\overline{\text{CLK}}$ Input Driven by a 3.3V LVDS Driver

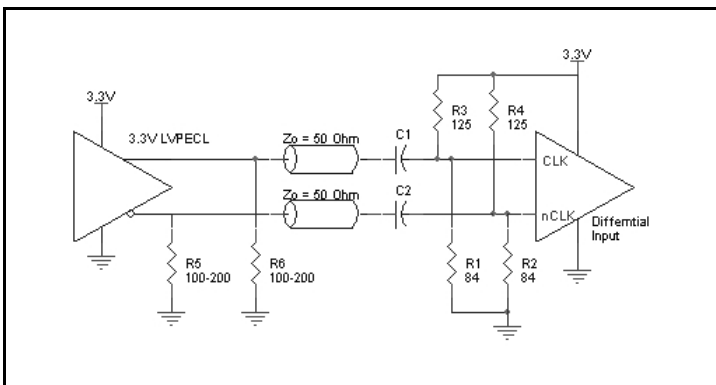


Figure 2E. CLK/ $\overline{\text{CLK}}$ Input Driven by a 3.3V LVPECL Driver with AC Couple

Reliability Information

Table 6. θ_{JA} vs. Air Flow Table for a 48-LQFP

θ_{JA} vs. Air Flow			
Linear Feet per Minute	0	200	500
Single-Layer PCB, JEDEC Standard Test Boards	67.8°C/W	55.9°C/W	50.1°C/W
Multi-Layer PCB, JEDEC Standard Test Boards	47.9°C/W	42.1°C/W	39.4°C/W

NOTE: Most modern PCB design use multi-layered boards. The data in the second row pertains to most designs.

Transistor Count

The transistor count for 87016I is: 2034

Package Outline Drawings

The package outline drawings are appended at the end of this document and are accessible from the link below. The package information is the most current data available.

www.idt.com/us/en/document/cpt/prprg-package-outline-70-x-70-x-14-mm-tqfp-10010-form

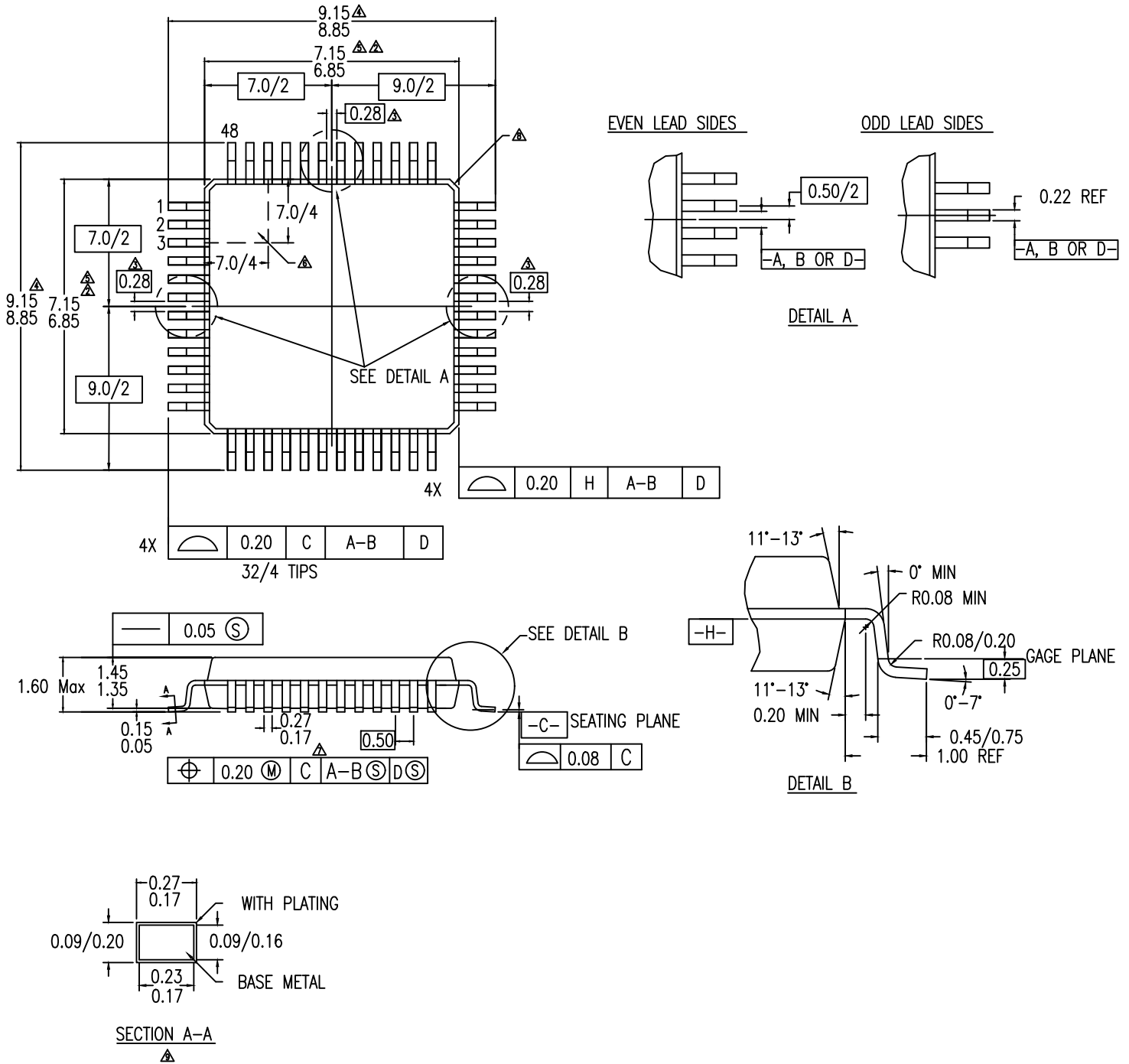
Ordering Information

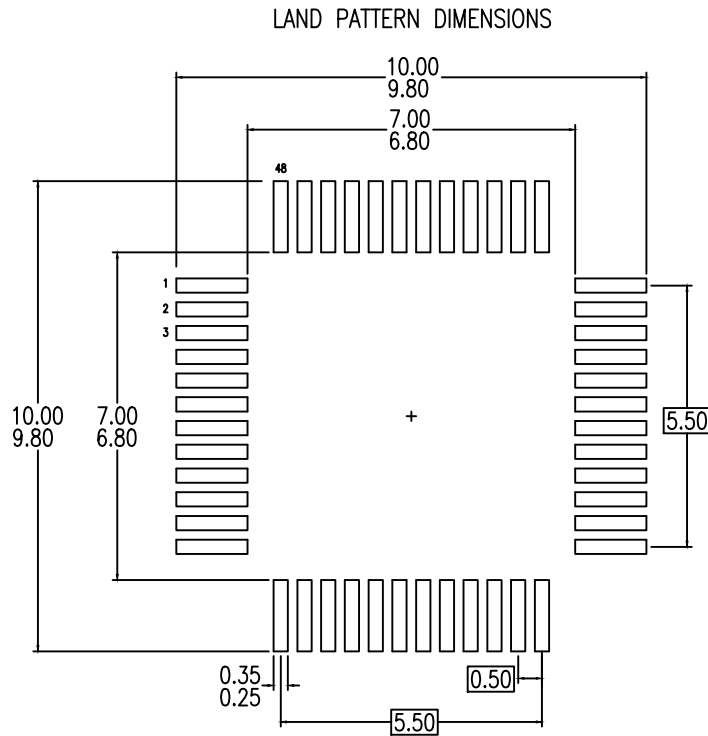
Table 8. Ordering Information

Part/Order Number	Marking	Package	Shipping Packaging	Temperature
ICS87016AYILF	ICS87016AYIL	“Lead-Free” 48 Lead LQFP	Tray	-40°C to 85°C
ICS87016AYILFT	ICS87016AYIL	“Lead-Free” 48 Lead LQFP	Tape & Reel	-40°C to 85°C

Revision History

Date	Description of Change
January 22, 2020	<ul style="list-style-type: none"> Updated package outline drawings section; added link. Updated logos and footer information.
March 23, 2015	Ordering Information - updated part marking. Updated datasheet format.
March 28, 2013	Corrected typo, VOH: $V_{DD} - 0.45$ to $V_{DDOx} - 0.45$
November 15, 2012	Remove leaded parts from Ordering Information table.
May 25, 2007	2.5V AC Characteristics Table - changed <i>Output Duty Cycle</i> test condition and limits. Added Output Pulse Width.
March 30, 2007	Features Section - added 2.5V/2.5V and 2.5V/1.8V to supply mode bullet. Added lead-free bullet. Pin Characteristics Table - added 2.5V/2.5V and 2.5V/1.8V to C_{PD} . Added 2.5V Power Supply DC Characteristics Table. LVCMOS DC Characteristics Table - added 2.5V to V_{IH}/V_{IL} . Differential DC Characteristics Table - added 2.5V to I_{IH}/I_{IL} . Added 2.5V Power Supply DC Characteristics Table. Added 2.5V/1.8V Power Supply DC Characteristics Table. Parameter Measurement Information - added 2.5V <i>Core/2.5V Output Load Test Circuit</i> and 2.5V <i>Core/1.8V Output Load Test Circuit diagrams</i> . Added <i>Recommendations for Unused Input and Output Pins</i> . Ordering Information Table - added lead-free Order/Part Number.





NOTES:

- 1 ALL DIMENSIONING AND TOLERANCING CONFORM TO ANSI Y14.5M-1982
- 2 TOP PACKAGE MAY BE SMALLER THAN BOTTOM PACKAGE BY .15 mm
- 3 DATUMS [A-B] AND [-D-] TO BE DETERMINED AT DATUM PLANE [-H-]
- 4 DIMENSIONS D AND E ARE TO BE DETERMINED AT SEATING PLANE [-C-]
- 5 DIMENSIONS D1 AND E1 DO NOT INCLUDE MOLD PROTRUSION. ALLOWABLE MOLD PROTRUSION IS 0.25 mm PER SIDE. D1 AND E1 ARE MAXIMUM BODY SIZE DIMENSIONS INCLUDING MOLD MISMATCH
- 6 DETAILS OF PIN 1 IDENTIFIER IS OPTIONAL BUT MUST BE LOCATED WITHIN THE ZONE INDICATED
- 7 DIMENSION b DOES NOT INCLUDE DAMBAR PROTRUSION. ALLOWABLE DAMBAR PROTRUSION IS 0.08 mm IN EXCESS OF THE b DIMENSION AT MAXIMUM MATERIAL CONDITION. DAMBAR CANNOT BE LOCATED ON THE LOWER RADIUS OR THE FOOT.
- 8 EXACT SHAPE OF EACH CORNER IS OPTIONAL
- 9 THESE DIMENSIONS APPLY TO THE FLAT SECTION OF THE LEAD BETWEEN 0.10 AND 0.25 mm FROM THE LEAD TIP
- 10 ALL DIMENSIONS ARE IN MILLIMETERS
- 11 THIS OUTLINE CONFORMS TO JEDEC PUBLICATION 95 REGISTRATION MS-026, VARIATIONS BBA & BBC.

Package Revision History		
Date Created	Rev No.	Description
Jan 21, 2020	00	Initial release

IMPORTANT NOTICE AND DISCLAIMER

RENESAS ELECTRONICS CORPORATION AND ITS SUBSIDIARIES (“RENESAS”) PROVIDES TECHNICAL SPECIFICATIONS AND RELIABILITY DATA (INCLUDING DATASHEETS), DESIGN RESOURCES (INCLUDING REFERENCE DESIGNS), APPLICATION OR OTHER DESIGN ADVICE, WEB TOOLS, SAFETY INFORMATION, AND OTHER RESOURCES “AS IS” AND WITH ALL FAULTS, AND DISCLAIMS ALL WARRANTIES, EXPRESS OR IMPLIED, INCLUDING, WITHOUT LIMITATION, ANY IMPLIED WARRANTIES OF MERCHANTABILITY, FITNESS FOR A PARTICULAR PURPOSE, OR NON-INFRINGEMENT OF THIRD-PARTY INTELLECTUAL PROPERTY RIGHTS.

These resources are intended for developers who are designing with Renesas products. You are solely responsible for (1) selecting the appropriate products for your application, (2) designing, validating, and testing your application, and (3) ensuring your application meets applicable standards, and any other safety, security, or other requirements. These resources are subject to change without notice. Renesas grants you permission to use these resources only to develop an application that uses Renesas products. Other reproduction or use of these resources is strictly prohibited. No license is granted to any other Renesas intellectual property or to any third-party intellectual property. Renesas disclaims responsibility for, and you will fully indemnify Renesas and its representatives against, any claims, damages, costs, losses, or liabilities arising from your use of these resources. Renesas' products are provided only subject to Renesas' Terms and Conditions of Sale or other applicable terms agreed to in writing. No use of any Renesas resources expands or otherwise alters any applicable warranties or warranty disclaimers for these products.

(Disclaimer Rev.1.01 Jan 2024)

Corporate Headquarters

TOYOSU FORESIA, 3-2-24 Toyosu,
Koto-ku, Tokyo 135-0061, Japan
www.renesas.com

Trademarks

Renesas and the Renesas logo are trademarks of Renesas Electronics Corporation. All trademarks and registered trademarks are the property of their respective owners.

Contact Information

For further information on a product, technology, the most up-to-date version of a document, or your nearest sales office, please visit www.renesas.com/contact-us/.