

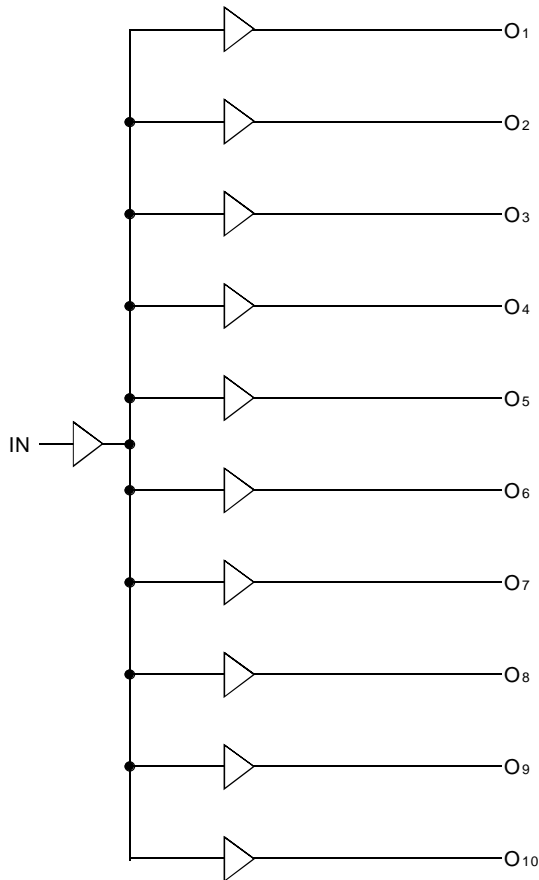
FEATURES:

- 0.5 MICRON CMOS Technology
- Guaranteed low skew < 250ps (max.)
- Very low duty cycle distortion < 350ps (max.)
- High speed: propagation delay < 2.5ns (max.)
- 100MHz operation
- TTL compatible inputs and outputs
- TTL level output voltage swings
- 1:10 fanout
- Output rise and fall time < 1.5ns (max)
- Low input capacitance: 4.5pF typical
- High drive: -32mA I_{OH}, +48mA I_{OL}
- Available in QSOP, SSOP, and SOIC packages

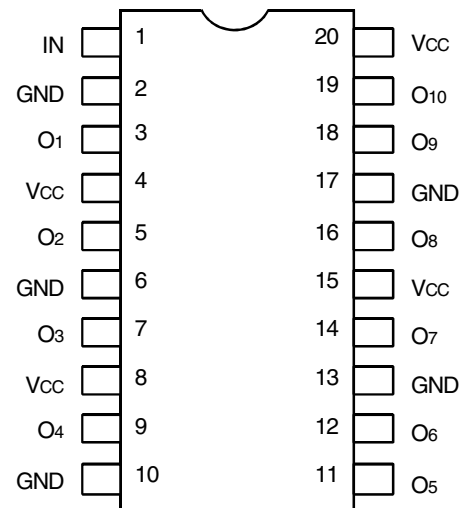
DESCRIPTION:

The FCT807T clock driver is built using advanced dual metal CMOS technology. This low skew clock driver features 1:10 fanout, providing minimal loading on the preceding drivers. The FCT807T offers low capacitance inputs with hysteresis for improved noise margins. TTL level outputs and multiple power and grounds reduce noise. The device also features -32/48mA drive capability for driving low impedance traces.

FUNCTIONAL BLOCK DIAGRAM



PIN CONFIGURATION



QSOP/ SOIC/ SSOP
TOP VIEW

ABSOLUTE MAXIMUM RATINGS(1)

Symbol	Description	Max	Unit
V _{TERM}	Terminal Voltage with Respect to GND	-0.5 to +7	V
T _{STG}	Storage Temperature	-65 to +150	°C
I _{OUT}	DC Output Current	-60 to +120	mA

NOTE:

- Stresses greater than those listed under ABSOLUTE MAXIMUM RATINGS may cause permanent damage to the device. This is a stress rating only and functional operation of the device at these or any other conditions above those indicated in the operational sections of this specification is not implied. Exposure to absolute maximum rating conditions for extended periods may affect reliability.

CAPACITANCE (T_A = +25°C, f = 1.0MHz)

Symbol	Parameter ⁽¹⁾	Conditions	Typ.	Max.	Unit
C _{IN}	Input Capacitance	V _{IN} = 0V	4.5	6	pF
C _{OUT}	Output Capacitance	V _{OUT} = 0V	5.5	8	pF

NOTE:

- This parameter is measured at characterization but not tested.

PIN DESCRIPTION

Pin Names	Description
IN	Inputs
Ox	Outputs

DC ELECTRICAL CHARACTERISTICS OVER OPERATING RANGE

Following Conditions Apply Unless Otherwise Specified:

Commercial: T_A = 0°C to +70°C, Industrial: T_A = -40°C to +85°C, V_{CC} = 5V ± 5%

Symbol	Parameter	Test Conditions ⁽¹⁾	Min.	Typ. ⁽²⁾	Max.	Unit	
V _{IH}	Input HIGH Level (Input pins)	Guaranteed Logic HIGH Level	2	—	—	V	
V _{IL}	Input LOW Level	Guaranteed Logic LOW Level	—	—	0.8	V	
I _{IH}	Input HIGH Current (Input pins)	V _{CC} = Max., V _I = 2.7V	—	—	±1	μA	
I _{IL}	Input LOW Current (Input pins)	V _{CC} = Max., V _I = 0.5V	—	—	±1	μA	
I _{OZH}	High Impedance Output Current (3-State Output pins)	V _{CC} = Max., V _O = 2.7V	—	—	±1	μA	
I _{OZL}			V _O = 0.5V	—	—		±1
I _I	Input HIGH Current	V _{CC} = Max., V _I = V _{CC} (Max.)	—	—	±1	μA	
V _{IK}	Clamp Diode Voltage	V _{CC} = Min., I _{IN} = -18mA	—	-0.7	-1.2	V	
I _{OS}	Short Circuit Current ⁽⁴⁾	V _{CC} = Max., V _O = GND ⁽³⁾	-60	-120	-225	mA	
V _{OH}	Output HIGH Voltage	V _{CC} = Min., V _{IN} = V _{IH} or V _{IL}	I _{OH} = -15mA	2.4	3.3	—	V
			I _{OH} = -32mA	2	3	—	
V _{OL}	Output LOW Voltage	V _{CC} = Min., V _{IN} = V _{IH} or V _{IL}	—	0.3	0.55	V	
I _{OFF}	Input/Output Power Off Leakage	V _{CC} = 0V, V _{IN} or V _O ≤ 4.5V	—	—	±1	μA	
V _H	Input Hysteresis for all inputs	—	—	150	—	mV	
I _{CCL} I _{CCH} I _{CCZ}	Quiescent Power Supply Current	V _{CC} = Max., V _{IN} = GND or V _{CC}	—	5	500	μA	

NOTES:

- For conditions shown as Max. or Min., use appropriate value specified under Electrical Characteristics for the applicable device type.
- Typical values are at V_{CC} = 5V, +25°C ambient.
- Not more than one output should be shorted at one time. Duration of the test should not exceed one second.
- Duration of the condition should not exceed one second.

POWER SUPPLY CHARACTERISTICS

Symbol	Parameter	Test Conditions ⁽¹⁾		Min.	Typ. ⁽²⁾	Max.	Unit
ΔI_{CC}	Quiescent Power Supply Current TTL Inputs HIGH	V _{CC} = Max. V _{IN} = 3.4V		—	0.5	2	mA
I _{CCD}	Dynamic Power Supply Current ⁽³⁾	V _{CC} = Max. Input Toggling 50% Duty Cycle Outputs Open	V _{IN} = V _{CC} V _{IN} = GND	—	0.4	0.6	mA/MHz
I _C	Total Power Supply Current ⁽⁵⁾	V _{CC} = Max. Input Toggling 50% Duty Cycle Outputs Open f _i = 50MHz	V _{IN} = V _{CC} V _{IN} = GND	—	20	30.5 ⁽⁴⁾	mA
			V _{IN} = 3.4V V _{IN} = GND	—	20.3	31.3 ⁽⁴⁾	

NOTES:

- For conditions shown as Max. or Min., use appropriate value specified under Electrical Characteristics for the applicable device type.
- Typical values are at V_{CC} = 5V, +25°C ambient.
- Per TTL driven input (V_{IN} = 3.4V); all other inputs at V_{CC} or GND.
- This parameter is not directly testable, but is derived for use in Total Power Supply calculations.
- Values for these conditions are examples of the I_C formula. These limits are guaranteed but not tested.
- I_C = I_{QUIESCENT} + I_{INPUTS} + I_{DYNAMIC}
 $I_C = I_{CC} + \Delta I_{CC} D_H N_T + I_{CCD} (f_o N_o)$
 I_{CC} = Quiescent Current (I_{CC1}, I_{CC2} and I_{CC3})
 ΔI_{CC} = Power Supply Current for a TTL High Input (V_{IN} = 3.4V)
 D_H = Duty Cycle for TTL Inputs High
 N_T = Number of TTL Inputs at D_H
 I_{CCD} = Dynamic Current Caused by an Input Transition Pair (HLH or LHL)
 f_o = Output Frequency
 N_o = Number of Outputs at f_o
 All currents are in milliamps and all frequencies are in megahertz.

SWITCHING CHARACTERISTICS OVER OPERATING RANGE - COMMERCIAL (3,4)

Symbol	Parameter	Conditions ⁽¹⁾	FCT807BT		FCT807CT		Unit
			Min. ⁽²⁾	Max.	Min. ⁽²⁾	Max.	
t _{PLH} t _{PHL}	Propagation Delay	50Ω to V _{CC} /2, C _L = 10pF (See figure 1) or 50Ω ac termination, C _L = 10pF (See figure 2) f ≤ 100MHz Outputs connected in groups of two	1.3	2.7	1.3	2.5	ns
t _R	Output Rise Time		—	1.5	—	1.5	ns
t _F	Output Fall Time		—	1.5	—	1.5	ns
tsk(O)	Output skew: skew between outputs of all banks of same package (inputs tied together)		—	0.5	—	0.25	ns
tsk(P)	Pulse skew: skew between opposite transitions of same output (t _{PHL} - t _{PLH})		—	0.5	—	0.35	ns
tsk(T)	Package skew: skew between outputs of different packages at same power supply voltage, temperature, package type and speed grade	—	0.9	—	0.65	ns	

Symbol	Parameter	Conditions ⁽¹⁾	FCT807BT		FCT807CT		Unit
			Min. ⁽²⁾	Max.	Min. ⁽²⁾	Max.	
t _{PLH} t _{PHL}	Propagation Delay	C _L = 30pF f ≤ 67MHz (See figure 3)	1.5	3.8	1.5	3.5	ns
t _R	Output Rise Time		—	1.5	—	1.5	ns
t _F	Output Fall Time		—	1.5	—	1.5	ns
tsk(O)	Output skew: skew between outputs of all banks of same package (inputs tied together)		—	0.5	—	0.25	ns
tsk(P)	Pulse skew: skew between opposite transitions of same output (t _{PHL} - t _{PLH})		—	0.5	—	0.35	ns
tsk(T)	Package skew: skew between outputs of different packages at same power supply voltage, temperature, package type and speed grade	—	0.9	—	0.75	ns	

Symbol	Parameter	Conditions ⁽¹⁾	FCT807BT		FCT807CT		Unit
			Min. ⁽²⁾	Max.	Min. ⁽²⁾	Max.	
t _{PLH} t _{PHL}	Propagation Delay	C _L = 30pF f ≤ 40MHz (See figure 4)	1.5	3.8	1.5	3.5	ns
t _R	Output Rise Time		—	1.5	—	1.5	ns
t _F	Output Fall Time		—	1.5	—	1.5	ns
tsk(O)	Output skew: skew between outputs of all banks of same package (inputs tied together)		—	0.5	—	0.35	ns
tsk(P)	Pulse skew: skew between opposite transitions of same output (t _{PHL} - t _{PLH})		—	0.6	—	0.45	ns
tsk(T)	Package skew: skew between outputs of different packages at same power supply voltage, temperature, package type and speed grade	—	1	—	0.75	ns	

NOTES:

1. See test circuits and waveforms.
2. Minimum limits are guaranteed but not tested on Propagation Delays.
3. t_{PLH}, t_{PHL}, tsk(t) are production tested. All other parameters guaranteed but not production tested.
4. Propagation delay range indicated by Min. and Max. limit is due to V_{CC}, operating temperature and process parameters. These propagation delay limits do not imply skew.

SWITCHING CHARACTERISTICS OVER OPERATING RANGE - INDUSTRIAL (3,4)

Symbol	Parameter	Conditions ⁽¹⁾	FCT807BT		FCT807CT		Unit
			Min. ⁽²⁾	Max.	Min. ⁽²⁾	Max.	
t _{PLH} t _{PHL}	Propagation Delay	50Ω to V _{CC} /2, C _L = 10pF (See figure 1) or 50Ω ac termination, C _L = 10pF (See figure 2) f ≤ 100MHz Outputs connected in groups of two	1.3	2.9	1.3	2.7	ns
t _R	Output Rise Time		—	1.5	—	1.5	ns
t _F	Output Fall Time		—	1.5	—	1.5	ns
tsk(O)	Output skew: skew between outputs of all banks of same package (inputs tied together)		—	0.6	—	0.35	ns
tsk(P)	Pulse skew: skew between opposite transitions of same output (t _{PHL} - t _{PLH})		—	0.6	—	0.45	ns
tsk(T)	Package skew: skew between outputs of different packages at same power supply voltage, temperature, package type and speed grade	—	0.9	—	0.65	ns	

Symbol	Parameter	Conditions ⁽¹⁾	FCT807BT		FCT807CT		Unit
			Min. ⁽²⁾	Max.	Min. ⁽²⁾	Max.	
t _{PLH} t _{PHL}	Propagation Delay	C _L = 30pF f ≤ 67MHz (See figure 3)	1.5	4	1.5	3.7	ns
t _R	Output Rise Time		—	1.5	—	1.5	ns
t _F	Output Fall Time		—	1.5	—	1.5	ns
tsk(O)	Output skew: skew between outputs of all banks of same package (inputs tied together)		—	0.6	—	0.35	ns
tsk(P)	Pulse skew: skew between opposite transitions of same output (t _{PHL} - t _{PLH})		—	0.6	—	0.45	ns
tsk(T)	Package skew: skew between outputs of different packages at same power supply voltage, temperature, package type and speed grade	—	0.9	—	0.75	ns	

Symbol	Parameter	Conditions ⁽¹⁾	FCT807BT		FCT807CT		Unit
			Min. ⁽²⁾	Max.	Min. ⁽²⁾	Max.	
t _{PLH} t _{PHL}	Propagation Delay	C _L = 30pF f ≤ 40MHz (See figure 4)	1.5	4	1.5	3.7	ns
t _R	Output Rise Time		—	1.5	—	1.5	ns
t _F	Output Fall Time		—	1.5	—	1.5	ns
tsk(O)	Output skew: skew between outputs of all banks of same package (inputs tied together)		—	0.6	—	0.45	ns
tsk(P)	Pulse skew: skew between opposite transitions of same output (t _{PHL} - t _{PLH})		—	0.7	—	0.55	ns
tsk(T)	Package skew: skew between outputs of different packages at same power supply voltage, temperature, package type and speed grade	—	1	—	0.75	ns	

NOTES:

1. See test circuits and waveforms.
2. Minimum limits are guaranteed but not tested on Propagation Delays.
3. t_{PLH}, t_{PHL}, tsk(t) are production tested. All other parameters guaranteed but not production tested.
4. Propagation delay range indicated by Min. and Max. limit is due to V_{CC}, operating temperature and process parameters. These propagation delay limits do not imply skew.

TEST CIRCUITS

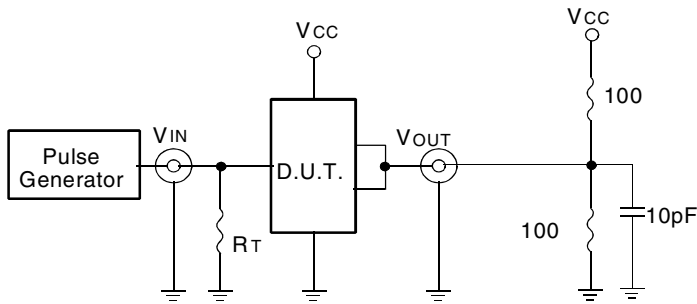


Fig. 1: 50Ω to Vcc/2, CL = 10pF

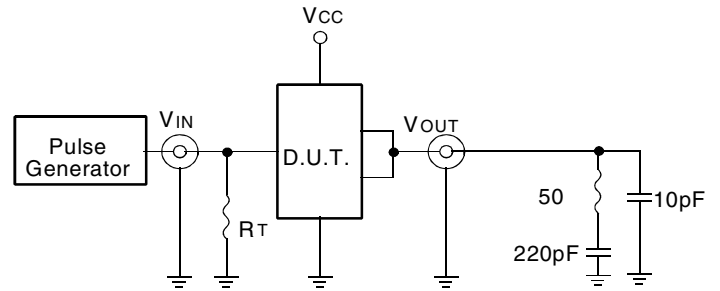


Fig. 2: 50Ω AC Termination, CL = 10pF

The capacitor value for AC termination is determined by the operating frequency. For very low frequencies a higher capacitor value should be selected.

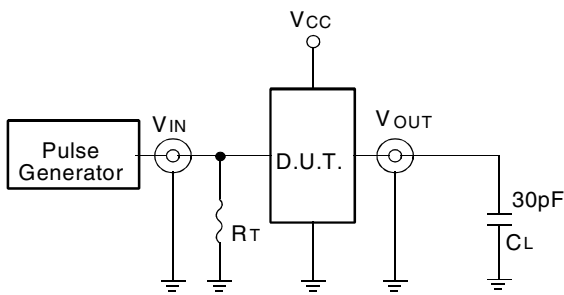


Fig. 3: CL = 30pF Circuit

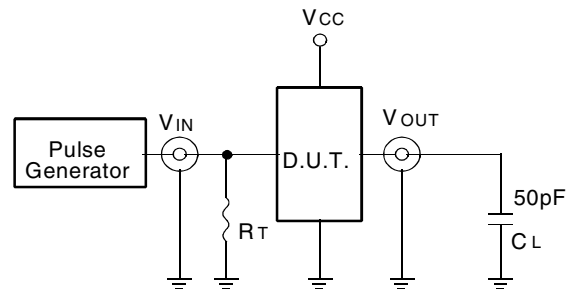


Fig. 4: CL = 50pF Circuit

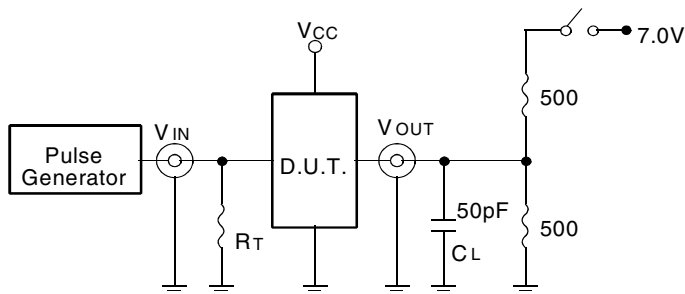


Fig. 5: Enable and Disable Time Circuit

SWITCH POSITION

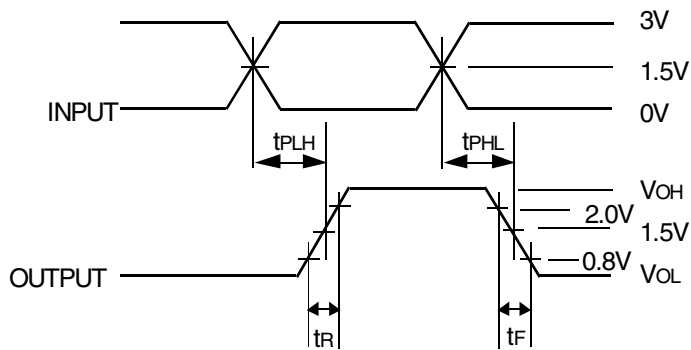
Test	Switch
Disable LOW Enable LOW	6V
Disable HIGH Enable HIGH	GND

DEFINITIONS:

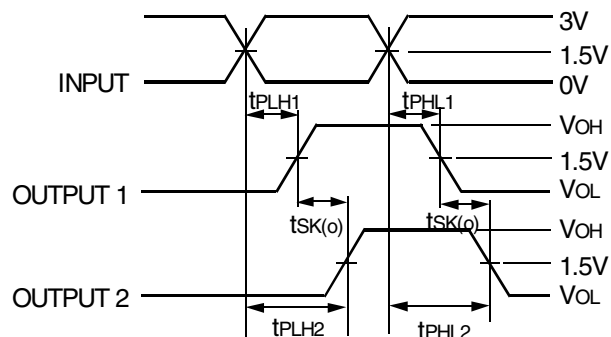
CL = Load capacitance: includes jig and probe capacitance.

RT = Termination resistance: should be equal to Zout of the Pulse Generator.

TEST WAVEFORMS

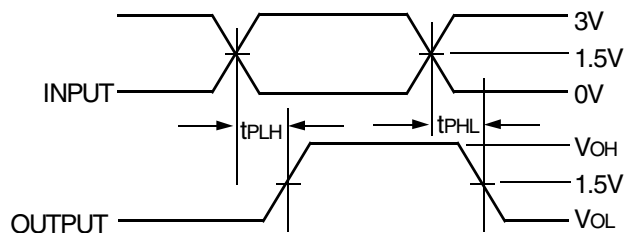


Package Delay



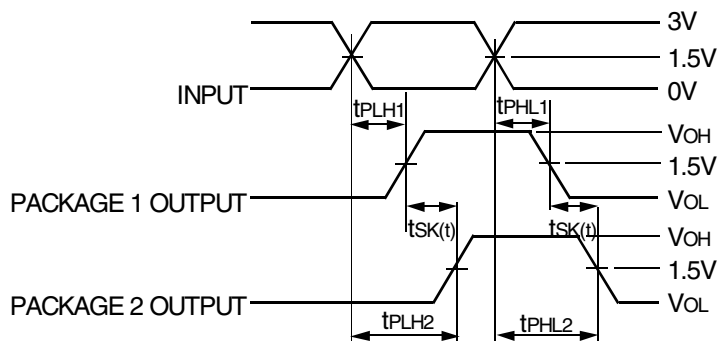
$$tsk(o) = |tPLH2 - tPLH1| \text{ or } |tPHL2 - tPHL1|$$

Output Skew - $tsk(o)$



$$tsk(p) = |tPHL - tPLH|$$

Pulse Skew - $tsk(p)$

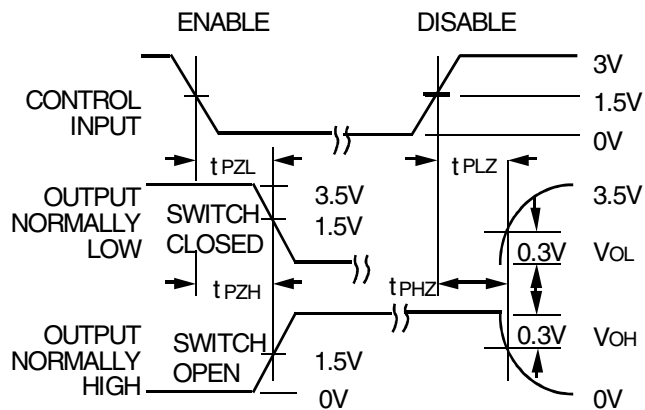


$$tsk(t) = |tPLH2 - tPLH1| \text{ or } |tPHL2 - tPHL1|$$

Part-to-Part Skew - $tsk(t)$

NOTE:

1. Package 1 and Package 2 are same device type and speed grade.

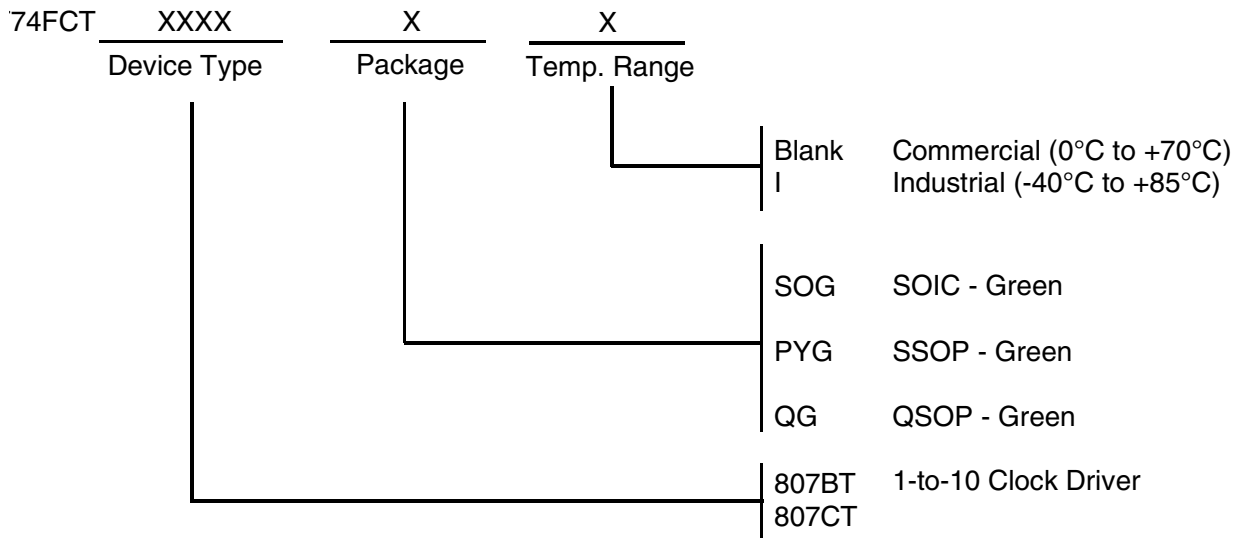


Enable and Disable Times

NOTES:

1. Diagram shown for input Control Enable-LOW and input Control Disable-HIGH
2. Pulse Generator for All Pulses: Rate $\leq 1.0\text{MHz}$; $t_r \leq 2.5\text{ns}$; $t_f \leq 2.5\text{ns}$

ORDERING INFORMATION



IMPORTANT NOTICE AND DISCLAIMER

RENESAS ELECTRONICS CORPORATION AND ITS SUBSIDIARIES (“RENESAS”) PROVIDES TECHNICAL SPECIFICATIONS AND RELIABILITY DATA (INCLUDING DATASHEETS), DESIGN RESOURCES (INCLUDING REFERENCE DESIGNS), APPLICATION OR OTHER DESIGN ADVICE, WEB TOOLS, SAFETY INFORMATION, AND OTHER RESOURCES “AS IS” AND WITH ALL FAULTS, AND DISCLAIMS ALL WARRANTIES, EXPRESS OR IMPLIED, INCLUDING, WITHOUT LIMITATION, ANY IMPLIED WARRANTIES OF MERCHANTABILITY, FITNESS FOR A PARTICULAR PURPOSE, OR NON-INFRINGEMENT OF THIRD-PARTY INTELLECTUAL PROPERTY RIGHTS.

These resources are intended for developers who are designing with Renesas products. You are solely responsible for (1) selecting the appropriate products for your application, (2) designing, validating, and testing your application, and (3) ensuring your application meets applicable standards, and any other safety, security, or other requirements. These resources are subject to change without notice. Renesas grants you permission to use these resources only to develop an application that uses Renesas products. Other reproduction or use of these resources is strictly prohibited. No license is granted to any other Renesas intellectual property or to any third-party intellectual property. Renesas disclaims responsibility for, and you will fully indemnify Renesas and its representatives against, any claims, damages, costs, losses, or liabilities arising from your use of these resources. Renesas' products are provided only subject to Renesas' Terms and Conditions of Sale or other applicable terms agreed to in writing. No use of any Renesas resources expands or otherwise alters any applicable warranties or warranty disclaimers for these products.

(Disclaimer Rev.1.01 Jan 2024)

Corporate Headquarters

TOYOSU FORESIA, 3-2-24 Toyosu,
Koto-ku, Tokyo 135-0061, Japan
www.renesas.com

Trademarks

Renesas and the Renesas logo are trademarks of Renesas Electronics Corporation. All trademarks and registered trademarks are the property of their respective owners.

Contact Information

For further information on a product, technology, the most up-to-date version of a document, or your nearest sales office, please visit www.renesas.com/contact-us/.