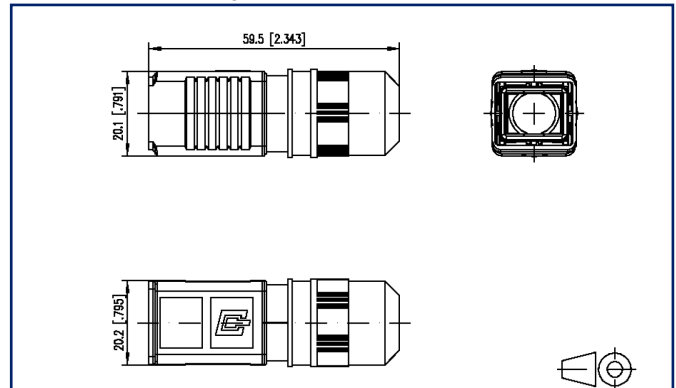


## Data sheet Industry IP67 V4 plug housing

### Illustrations



Dimensional drawing



See enlarged drawings at the end of document

### Product specification

- plug housing with push-pull-lock acc. to ISO/IEC 24702 and IEC 61076-3-106 var. 4
- IP67 protected housing to hold Industry plug inserts
- increased diameter range of 10 mm for connection of cable jackets
- resistant to welding sputter
- industry-compatible plastic housing with improved durability
- flammability class as per UL 94V-0
- improved resistance to chemical substances
- labeling on plug housing
- snap-on clip for color coding after assembly
- cable can be pushed through preassembled plug housing
- matching plug inserts: E-DAT Industry RJ45 field plug insert, E-DAT Industry RJ45 plug insert, OpDAT Industry 2LC plug insert, OpDAT Industry 2SC plug insert
- variants: plug housing, bend-protected plug housing



# P | Cabling

## Data sheet Industry IP67 V4 plug housing

Page 2/6

P/N  
1401045002KE  
EAN 4250184114024  
2022/07/25  
Version: N

### Technical Data

#### General Data

Fields of application	harsh environment
Mechanical measurement according to MICE	M1
Ingress measurement according to MICE	I1
Climatic measurement according to MICE	C1
Electromagnetic measurement according to MICE	E3
Design	plug housing
Color	black
Dimensions	
Dimension (L x W x H)	59.5 mm x 20.2 mm x 20.1 mm
Dimension (L x W x H)	2.343 in. x 0.795 in. x 0.791 in.
Labeling option	on housing
Marking option	by latching clip

#### Connections/interfaces

Number of ports interface 2	1
Number of ports interface 2 equipped	0
Protective housing interface 1	V4
Protective housing interface 2	V4
Cable sheath diameter (min. - max.)	
Cable sheath diameter	5 mm - 10.00
Cable sheath diameter	0.197 in. - 0.394
Module plug-in direction	straight
Cable access/outlet	180°

#### Mechanical data

Life - Number of mating cycles	min. 750
strain relief	PG gland

#### Materials and material properties

Material - Protective housing	PA UL94 V0
Material - Protective housing seal	EPDM (ethylene-propylene-diene)
Material - Moulded seal	NBR (nitrile butadiene rubber)
Halogen free	yes
RoHS	compliant

# P | Cabling

## Data sheet Industry IP67 V4 plug housing

Page 3/6

P/N  
1401045002KE  
EAN 4250184114024  
2022/07/25  
Version: N

### Technical Data

#### Materials and material properties

#### Environmental conditions

Temperature (min. - max.)	
Temperature - Storage °C	-40 °C - 70 °C
Temperature - Storage °F	-40 °F - 158 °F
Temperature - Operating °C	-40 °C - 70 °C
Temperature - Operating °F	-40 °F - 158 °F
Particulate ingress	IP6X
Liquid ingress/immersion	IPX6 and IPX7
Rapid change of temperature	-40°C / -40°F - +70°C / +158°F / 25 cycles t=30min
Damp heat	+25°C / +77°F / +65°C / 149°F / 93% RH // -10°C / 14°F / 21 cycles
Salt spray fog test (NSS Test)	+35°C / +95 / 4 days 5% NaCL
Resistance to welding beads	yes
Increased robustness	yes
Increased chemical resistance	yes
General information	This product is suitable for use in industrial environments inside buildings with IPxy protection class according to DIN EN 60529 specified in this data sheet. Not specified for outdoor applications.

#### Approvals

UL listed (file no.)



DUXR.E178484

#### Standards/Regulations

Generic cabling systems	
Industrial area	ISO/IEC 24702
UL standard for Communications-Circuit Accessories	UL 1863
Degrees of Protection Provided by Enclosures	IEC 60529
Connectors for electronic equipment	
Rectangular connectors	DIN EN 61076-3-106

# P | Cabling

## Data sheet Industry IP67 V4 plug housing

Page 4/6

P/N  
1401045002KE  
EAN 4250184114024  
2022/07/25  
Version: N

### Technical Data

#### Classifications

ETIM 5.0	EC001121
ETIM 6.0	EC001121
ETIM 7.0	EC000437
ETIM 8.0	EC000437

#### Packing details

Type of packaging	10 pc(s) / box
Packaging unit - Weight (gram)	216 g
Packaging unit - Weight (pound)	0.48 lb
Packaging dimension	258 mm x 164 mm x 51 mm
Packaging dimension	10.157 in. x 6.457 in. x 2.008 in.



# P | Cabling

Data sheet

## Industry IP67 V4 plug housing

Page 5/6

P/N

1401045002KE

EAN 4250184114024

2022/07/25

Version: N

### Accessories

P/N	Designation
1401009001-I	""Industry color coding ring V1/V4/V14 orange""
1401009003-I	""Industry color coding ring V1/V4/V14 light grey""
1401009004-I	""Industry color coding ring V1/V4/V14 white""
1401009005-I	""Industry color coding ring V1/V4/V14 yellow""
1401009006-I	""Industry color coding ring V1/V4/V14 blue""
1401009007-I	""Industry color coding ring V1/V4/V14 green""
1401048002KI	Industry IP67 V4 plug protective cap
1401400810-I	E-DAT Industry RJ45 field plug insert Cat.6 Class E <sub>A</sub>
1401500810-I	E-DAT Industry RJ45 plug insert Cat.6 Class E <sub>A</sub>
1402500820-I	OpDAT Industry 2SC MM plug insert
1402500822-I	OpDAT Industry 2SC MM plug insert
1402600820-I	OpDAT Industry 2SC SM plug insert
1402600822-I	OpDAT Industry 2SC SM plug insert
1402700820-I	OpDAT Industry 2SC POF plug insert
1402700822-I	OpDAT Industry 2SC POF plug insert
1402800820-I	OpDAT Industry 2LC MM plug insert
1402900820-I	OpDAT Industry 2LC SM plug insert

### Illustrations

Dimensional drawing

