



# HYT 271/939/939p/221

## Digital Humidity and Temperature Module

### Optimal for general purpose humidity applications with best accuracy at 0 - 50 °C and 0 - 90 % RH

#### Benefits & Characteristics

- Fast response time (HYT 271)
- Low hysteresis
- Low drift
- Stable at high humidity
- Custom specific versions
- Humidity and temperature sensor with excellent accuracy
- Easy integration, interchangeable without adjustments
- I<sup>2</sup>C protocol
- Fully calibrated and temperature compensated

#### The HYT humidity module family

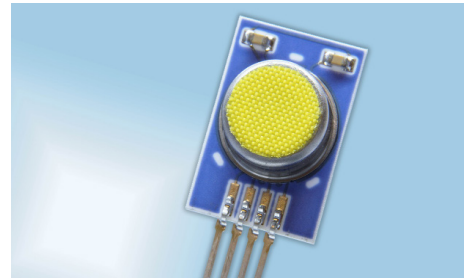
##### HYT 271

The fastest and smallest of the HYT family is the 271. The digital module with only 10.2 x 5.1 x 1.8 mm size offers a wide application window and an optimal price-performance-ratio. It is only the best solution for fast measurements or sophisticated mass applications.



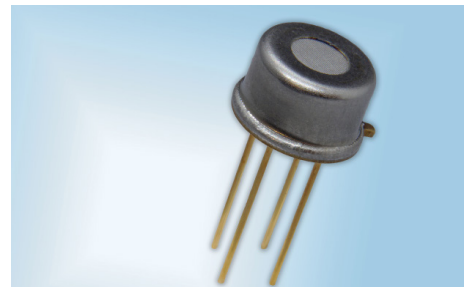
##### HYT 221

The round stainless-steel casing can be easily fitted into housing openings and sealed against a wall with the use of an O-Ring. The hydrophobic/oleophobic PTFE membrane filter protects the sensor from dust and liquids while providing a high dynamic responsiveness.



##### HYT 939/939p

The strongest of the HYT modules in TO39 packaging particularly features mechanical robustness. Through glass to metal seals and welding of the stainless-steel cap onto the metal header, it is pressure tight up to 16 bar in the 939p version.



#### Custom specific versions:

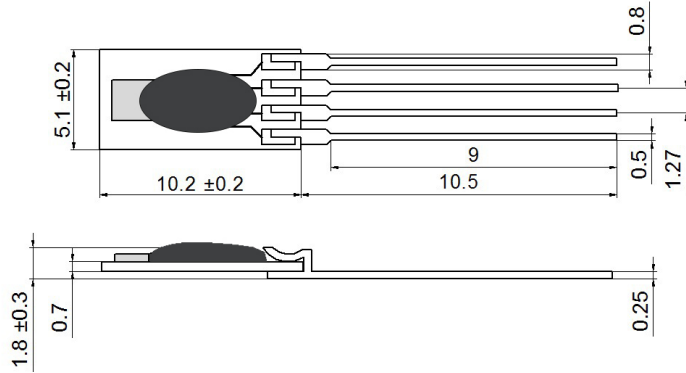
If a higher accuracy or different sensor design is needed, the modular design of HYT allows for high flexibility – the sensor, its calibration and assembly can easily be adapted to develop tailor-made modules fulfilling individual demands. Customized IST AG humidity modules feature extraordinary response times, high accuracies in condensing environment or low humidity conditions. Please contact us for custom specific versions.



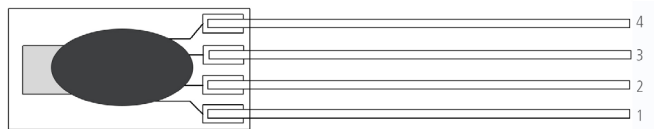


## HYT 271

### Mechanical Dimensions



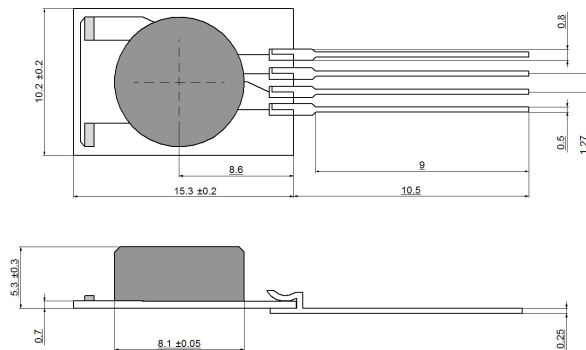
### Pin Assignment



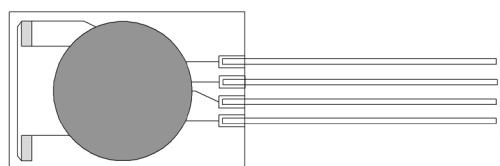
1	2	3	4
SDA	GND	VDD	SCL

## HYT 221

### Mechanical Dimensions



### Pin Assignment

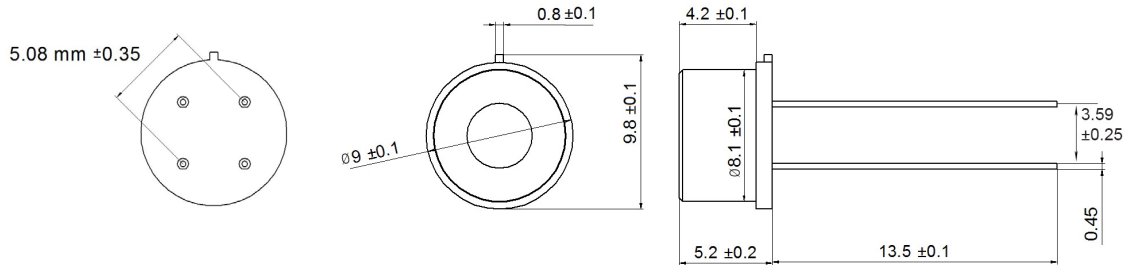


1	2	3	4
SDA	GND	VCC	SCL

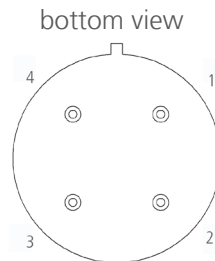


## HYT 939/939p

### Mechanical Dimensions



### Pin Assignment



1	2	3	4
SCL	VCC	GND	SDA

## HYT 939p

Pressure tight < 16 bar

### Order information

Version	HYT 271	HYT 221	HYT 939	HYT 939p
Order code	153349	103923	153656	153658
Former order code	150.00066	150.00068	150.00067	150.00096

### Additional Documents

	Document name
Application Note	AHHYTM_E

Please find software code examples on [www.ist-ag.com](http://www.ist-ag.com).



Innovative Sensor Technology IST AG, Stegrütistrasse 14, 9642 Ebnat-Kappel, Switzerland  
Phone: +41 71 992 01 00 | Fax: +41 71 992 01 99 | Email: [info@ist-ag.com](mailto:info@ist-ag.com) | [www.ist-ag.com](http://www.ist-ag.com)

All mechanical dimensions are valid at 25 °C ambient temperature, if not differently indicated • All data except the mechanical dimensions only have information purposes and are not to be understood as assured characteristics • Technical changes without previous announcement as well as mistakes reserved • The information on this data sheet was examined carefully and will be accepted as correct; No liability in case of mistakes • Load with extreme values during a longer period can affect the reliability • The material contained herein may not be reproduced, adapted, merged, translated, stored, or used without the prior written consent of the copyright owner • Typing errors and mistakes reserved • Product specifications are subject to change without notice • All rights reserved