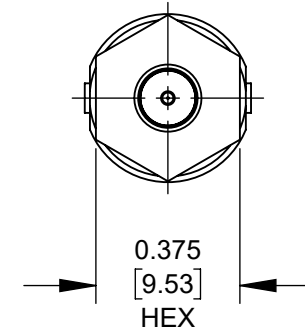
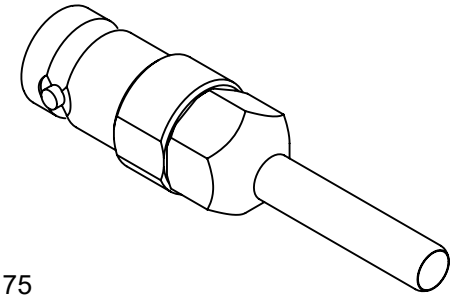


Ø0.175
[4.45]
REF



NOTES:

1. MATERIALS:

BARREL, SHELL - BRASS ALLOY, NICKEL PLATED
 MICRO CONTACT - BRASS ALLOY, GOLD PLATED
 BNC CONTACT - BERYLLIUM COPPER, GOLD PLATED
 INSULATORS - TEFLON

2. CHARACTERISTIC IMPEDANCE: 75 Ohms.

3. MEETS SMPTE ST 2082-1 SPEC; BANDWIDTH: 12 GHz.

4. THIS PRODUCT IS RoHS COMPLIANT.

CUSTOMER DRAWING

					THIS DRAWING DESCRIBES A DESIGN CONSIDERED PROPRIETARY IN NATURE, DEVELOPED AND MANUFACTURED BY SWITCHCRAFT INC. AND IS RELEASED ON A CONFIDENTIAL BASIS FOR IDENTIFICATION PURPOSES ONLY.					
					SIZE	WIDTH	MULT	LBS/M	TEMPER	
					UNLESS OTHERWISE SPECIFIED			FINISH		
					1. ALL DIMENSIONS IN INCHES [mm]			MATERIAL		
					- TWO PLACE DECIMALS ±0.02 [0.5]			SPEC No.		
					- THREE PLACE DECIMALS ±0.005 [0.13]			SCALE		
					FIRST USED ON			2:1		
0A	P-20014-1	8/4/21	MS	*	DATE DRAWN	BY	CHKD	APVD	Switchcraft®	
REV	ECO NUMBER	DATE	BY	APVD	8/4/21	MS	MS	*		
REVISIONS					DO NOT SCALE DRAWING					SHEET 1 OF 1
					NAME ADAPTER, BNC TO MICRO WECO, SHORT					
					PART No. VMMPBNCF					REV 0A

