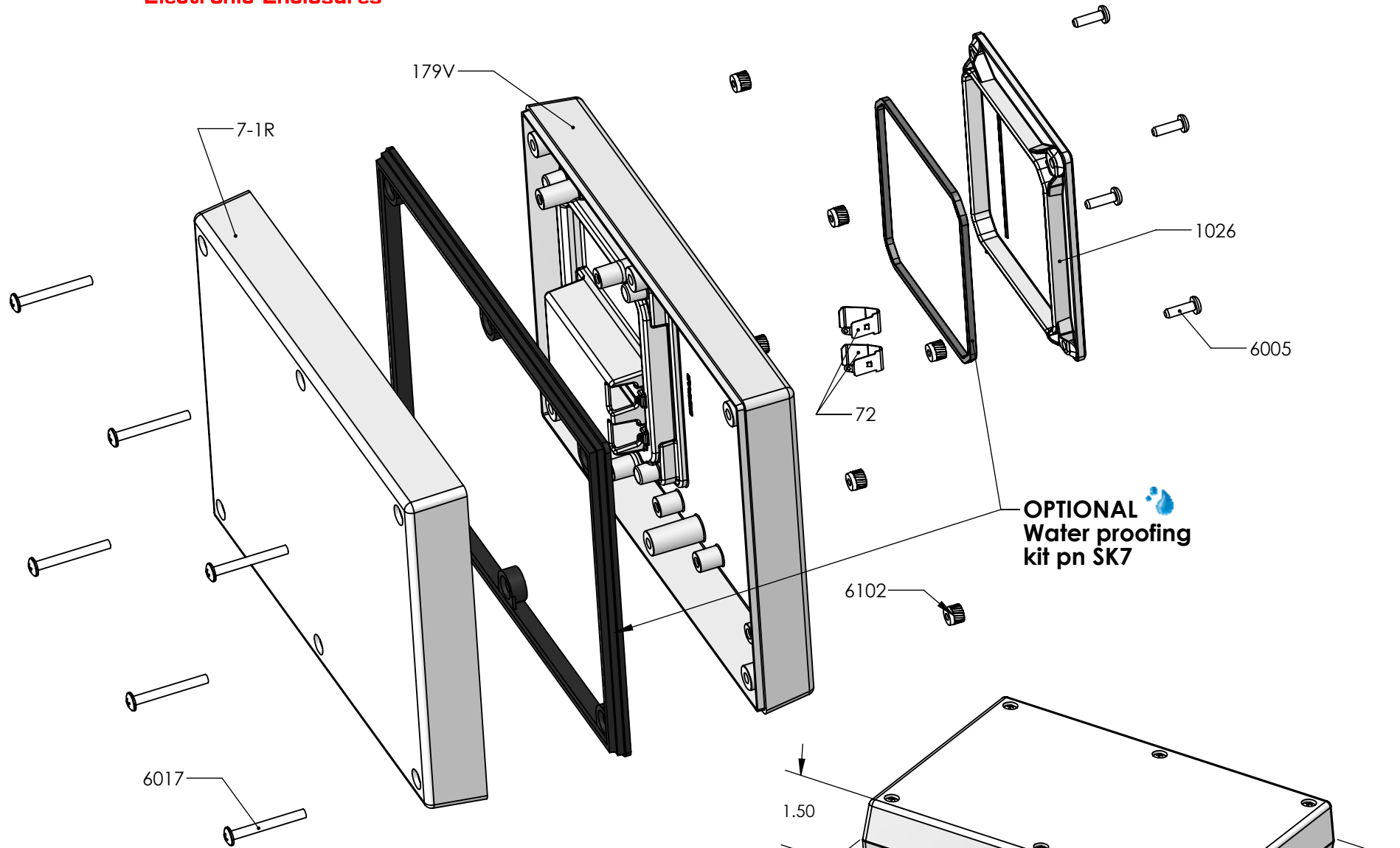


# SERPAC 171R9V (exploded isometric)

Electronic Enclosures



OPTIONAL  
Water proofing  
kit pn SK7

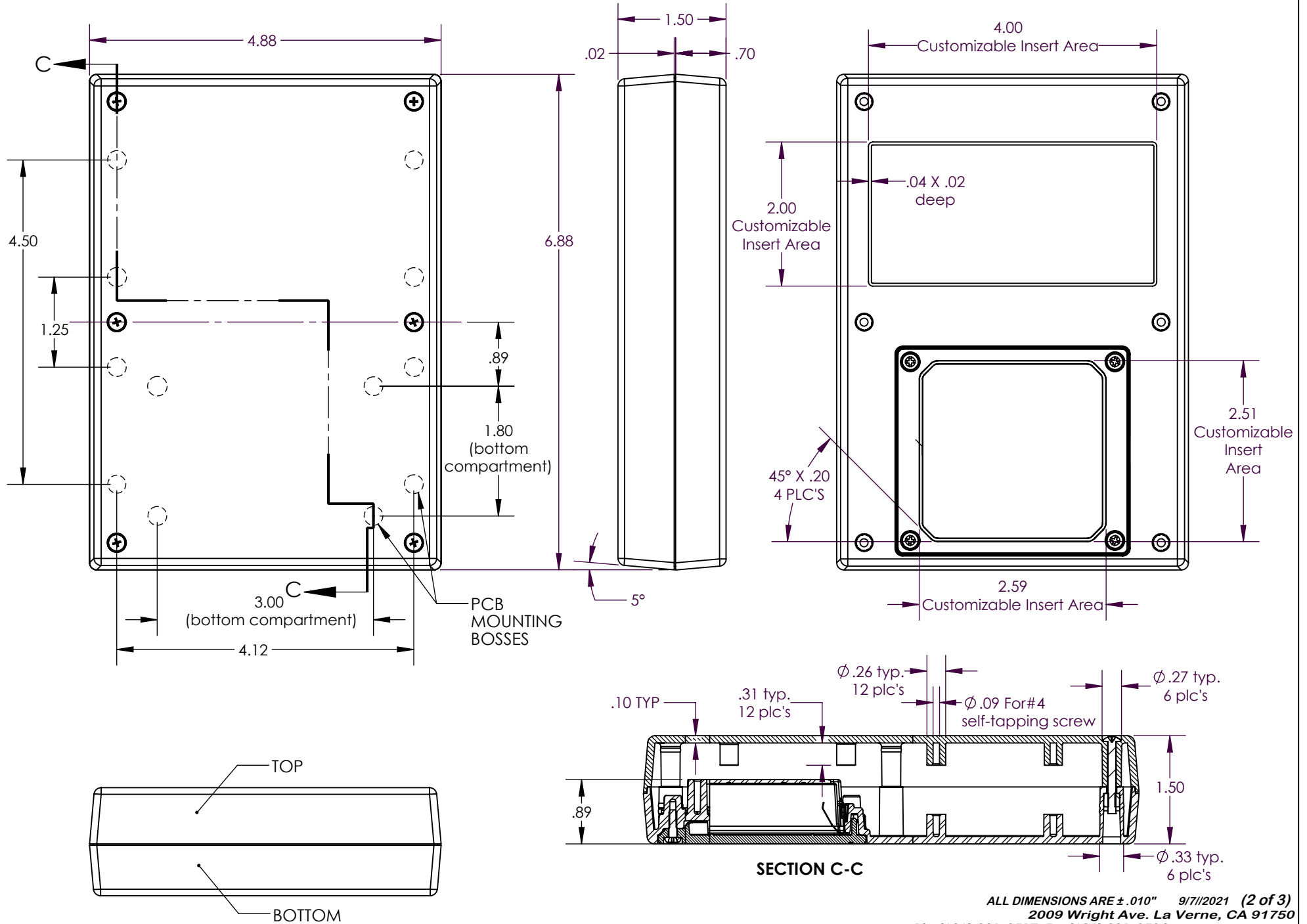
PART NO.	DESCRIPTION (Included)	ACCESSORIES (Optional)	
7-1R	Top	PART NO.	DESCRIPTION
1729V	9V Bottom	50	Non-skid Feet
1026	Access Door	SK7	Seal Kit for 17X
6005	#4 X 3/8" Self-Tapping Screw (4)		
6017	4-40 X 1" Screw (6)		
6102	4-40 Threaded Insert (6)		
72	Single Battery Contact (2)		

- Notes:
- 1) Enclosure weight .48 lb / 216 g
  - 2) Enclosure meets or exceeds IP40 and NEMA 1
  - 3) When used with SK7 the enclosure meets or exceeds IP 67 and NEMA 4X, 12 and 13 MIL-STD-810G 506.5 (.03 lb / 14g)
  - 4) Circuit Board drawings see sheet 3.
  - 5) All components are RoHS Compliant.

ALL DIMENSIONS ARE ± .010" 9/7/2021 (1 of 3)  
2009 Wright Ave. La Verne, CA 91750  
Ph. (626) 331-0517 Fx. (626) 331-8584 serpac.com

# SERPAC 171R9V

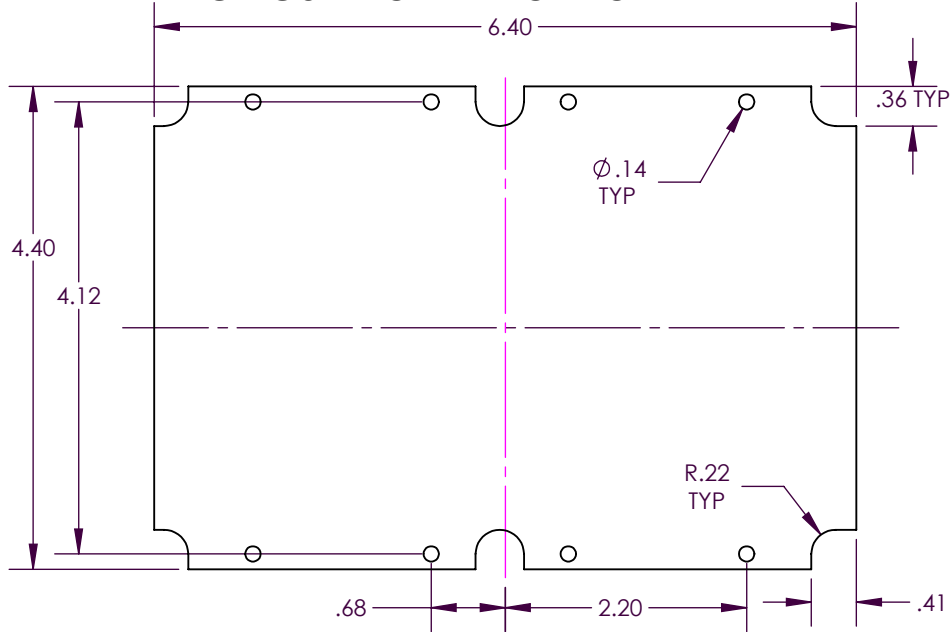
Electronic Enclosures



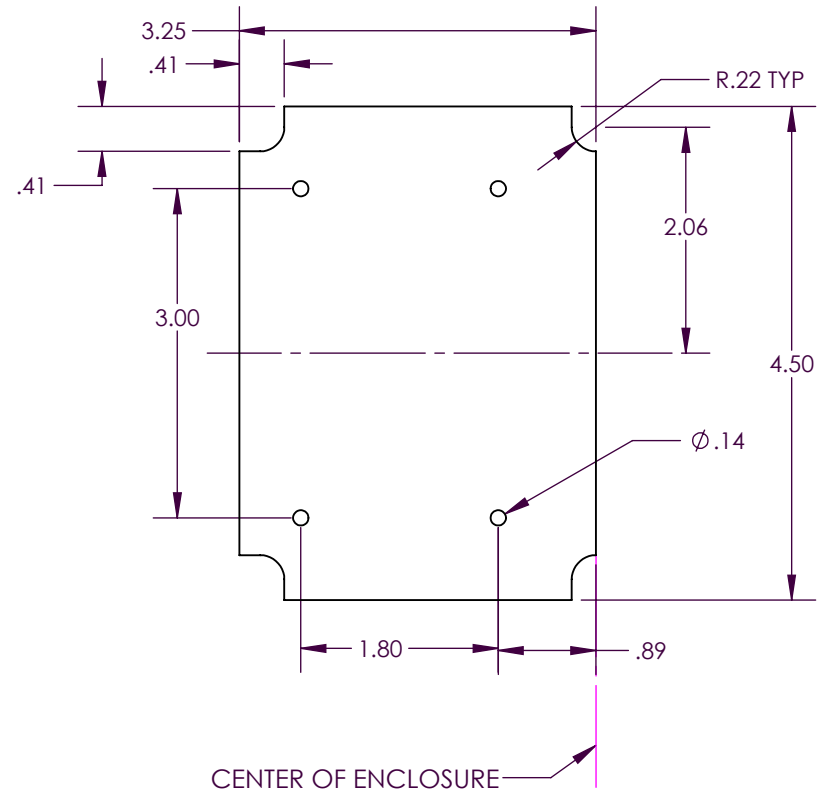
# SERPAC PCB for 17X compartment enclosures

Electronic Enclosures

**CIRCUIT BOARD FOR TOP**



**CIRCUIT BOARD FOR BOTTOM**



**SMALL CIRCUIT BOARD FOR BOTTOM**

