

UNIVERSAL SERIAL BUS: KMMX Series

Micro Universal Serial Bus 3.0

Product Features

Also Known as SuperSpeed USB
 More Compact Footprint than Mini-USB
 Meets the USB-IF 3.0 Specification
 Stainless Steel Shell, Which Yields 10,000 Insertion Cycles
 Used in Portable Devices Such as Mobile Phones, PDAs, and Digital Cameras
 US Certified File No. LR78160
 UL File No. E134345

Performance Specifications

Materials and Finish

Insulator

LCP+50%GF UL 94V-0 Rated, Black Color

Contacts

30μ" Gold Plating over Nickel on Contact Area,
 Gold Flash Plating on Solder Tail

Shell

Stainless Steel, Nickel Plated

Electrical Characteristics

Rated Voltage: 5V AC (RMS Max.)

Rated Current: 1.8A (only Pin 1,5); 0.25A For Other Pins

Dielectric Withstanding Voltage: 100V AC for 1 Min.

Insulation Resistance: 100 Megohms Min.

Contact Resistance: 50 milliohms Max

Operating Temperature: See Drawing

Mechanical Characteristics

Insertion Force

35N Max.

Withdrawal Force

8N Min.

Durability

10000 Cycles Min.

2D Drawing	IGES	STEP	3D PDF
Solder Profile	CofC RoHS Compliant	CofC REACH Compliant	UL Plastic File
Certificate of Origin	Check Stock	Request a Sample	Send Us An Email

Generated Part Number

Part Number Builder

<input type="text"/>	-	<input type="text"/>	<input type="text"/>	<input type="text"/>	<input type="text"/>	<input type="text"/>
Series		Type	Mounting Option	Insulator Color	Plating Option	Packaging Option

Series

KMMX - Micro Universal Serial Bus

Type

AB10 - AB Type, 10 pins

B10 - B Type, 10 pins

Mounting Option

SMT1S - Surface Mount with Through Hole Shield Tabs

SMT4S - Surface Mount with SMT Shield Tabs

Insulator Color Option

B - Black

Plating Option

30 - 30μ" Gold

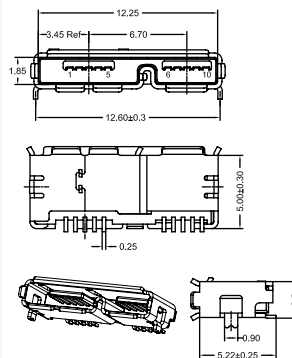
Packaging

TR - Tape and Reel

Contact Kycon for other options

KMMX-AB10-SMT1SB30

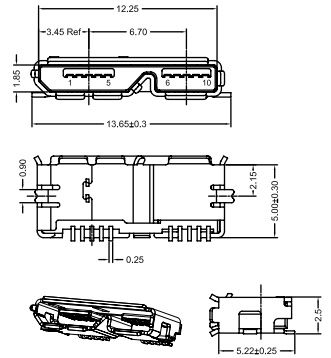
Dimensions in mm



Pin Number	Signal Name
1	VBUS
2	D-
3	D+
4	ID
5	GND
6	MicA_SSTX-
7	MicA_SSTX+
8	GND_DRAIN
9	MicA_SSRX-
10	MicA_SSRX+

KMMX-B10-SMT4SB30

Dimensions in mm



Pin Number	Signal Name
1	VBUS
2	D-
3	D+
4	ID
5	GND
6	MicA_SSTX-
7	MicA_SSTX+
8	GND_DRAIN
9	MicA_SSRX-
10	MicA_SSRX+