

AR0330CM

1/3-inch CMOS Digital Image Sensor

Description

The AR0330 from ON Semiconductor is a 1/3-inch CMOS digital image sensor with an active-pixel array of 2304 (H) × 1536 (V). It can support 3.15 Mp (2048 (H) × 1536 (V)) digital still image capture and a 1080p60 + 20% EIS (2304 (H) × 1296 (V)) digital video mode. It incorporates sophisticated on-chip camera functions such as windowing, mirroring, column and row sub-sampling modes, and snapshot modes.

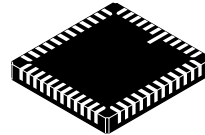
Table 1. KEY PERFORMANCE PARAMETERS

Parameter	Typical Value
Optical Format	1/3-inch (6.0 mm) Entire Array: 6.09 mm Still Image: 5.63 mm (4:3) HD Image: 5.82 mm (16:9)
Active Pixels	2304 (H) × 1536 (V): (Entire Array) 5.07mm (H) × 3.38mm (V) 2048 (H) × 1536 (V) (4:3, Still Mode) 2304 (H) × 1296 (V) (16:9, HD Mode)
Pixel Size	2.2 × 2.2 μm
Color Filter Array	RGB Bayer
Shutter Type	ERS and GRR
Input Clock Range	6–27 MHz
Output Clock Maximum	196 Mp/s (4-lane HiSPi or MIPI)
Output Video – 4-lane HiSPi	2304 × 1296 at 60 fps < 450 mW (V _{CM} 0.2 V, 198 MP/s) 2304 × 1296 at 30 fps < 300 mW (V _{CM} 0.2 V, 98 MP/s)
Responsivity	2.0 V/lux–sec
SNR _{MAX}	39 dB
Dynamic Range	69.5 dB
Supply Voltage	Digital 1.7–1.9 V (1.8 V Nominal) Analog 2.7–2.9 V HiSPi PHY 1.7–1.9 V (1.8 V Nominal) HiSPi I/O (SLVS) 0.3–0.9 V (0.4 or 0.8 V Nominal) HiSPi I/O (HiVCM) 1.7–1.9 V (1.8 V Nominal) I/O/Digital 1.7–1.9 V (1.8 V Nominal) or 2.4–3.1 V (2.8 V Nominal)
Operating Temperature (Junction) –T _J	–30°C to +70°C
Package Options	CLCC – 11.4 mm × 11.4mm CSP – 6.28 mm × 6.65 mm Bare Die

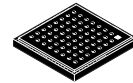


ON Semiconductor®

www.onsemi.com



CLCC48
CASE 848AU



ODCSP64
CASE 570BH

ORDERING INFORMATION

See detailed ordering and shipping information on page 2 of this data sheet.

Features

- 2.2 μm Pixel with A–Pix™ Technology
- Full HD support at 60 fps (2304 (H) × 1296 (V)) for Maximum Video Performance
- Superior Low-light Performance
- 3.4 Mp (3:2) and 3.15 Mp (4:3) Still Images
- Support for External Mechanical Shutter
- Support for External LED or Xenon Flash
- Data Interfaces: Four-lane Serial High-speed Pixel Interface (HiSPi) Differential Signaling (SLVS), Four-lane Serial MIPI Interface, or Parallel
- On-chip Phase-locked Loop (PLL) Oscillator
- Simple Two-wire Serial Interface
- Auto Black Level Calibration
- 12-to-10 Bit Output A–Law Compression
- Slave Mode for Precise Frame-rate Control and for Synchronizing Two Sensors

Applications

- 1080p High-definition Digital Video Camcorder
- Web Cameras and Video Conferencing Cameras
- Security

AR0330CM

ORDERING INFORMATION

Table 2. AVAILABLE PART NUMBERS

Part Number	Product Description	Orderable Product Attribute Description
AR0330CM1C00SHAA0-DP	3 MP 1/3" CIS	Dry Pack with Protective Film
AR0330CM1C00SHAA0-DR	3 MP 1/3" CIS	Dry Pack without Protective Film
AR0330CM1C00SHAA0-TP	3 MP 1/3" CIS	Tape & Reel with Protective Film
AR0330CM1C00SHKA0-CP	3 MP 1/3" CIS	Chip Tray with Protective Film
AR0330CM1C00SHKA0-CR	3 MP 1/3" CIS	Chip Tray without Protective Film
AR0330CM1C12SHAA0-DP	3 MP 1/3" CIS	Dry Pack with Protective Film
AR0330CM1C12SHAA0-DR	3 MP 1/3" CIS	Dry Pack without Protective Film
AR0330CM1C12SHKA0-CP	3 MP 1/3" CIS	Chip Tray with Protective Film
AR0330CM1C12SHKA0-CR	3 MP 1/3" CIS	Chip Tray without Protective Film
AR0330CM1C21SHKA0-CP	3 MP 1/3" CIS	Chip Tray with Protective Film
AR0330CM1C21SHKA0-CR	3 MP 1/3" CIS	Chip Tray without Protective Film

GENERAL DESCRIPTION

The AR0330 can be operated in its default mode or programmed for frame size, exposure, gain, and other parameters. The default mode output is a 2304×1296 image at 60 frames per second (fps). The sensor outputs 10- or 12-bit raw data, using either the parallel or serial (HiSpi, MIPI) output ports.

FUNCTIONAL OVERVIEW

The AR0330 is a progressive-scan sensor that generates a stream of pixel data at a constant frame rate. It uses an on-chip, phase-locked loop (PLL) that can generate all internal clocks from a single master input clock running between 6 and 27 MHz. The maximum output pixel rate is 196 Mp/s using a 4-lane HiSpi or MIPI serial interface and 98 Mp/s using the parallel interface.

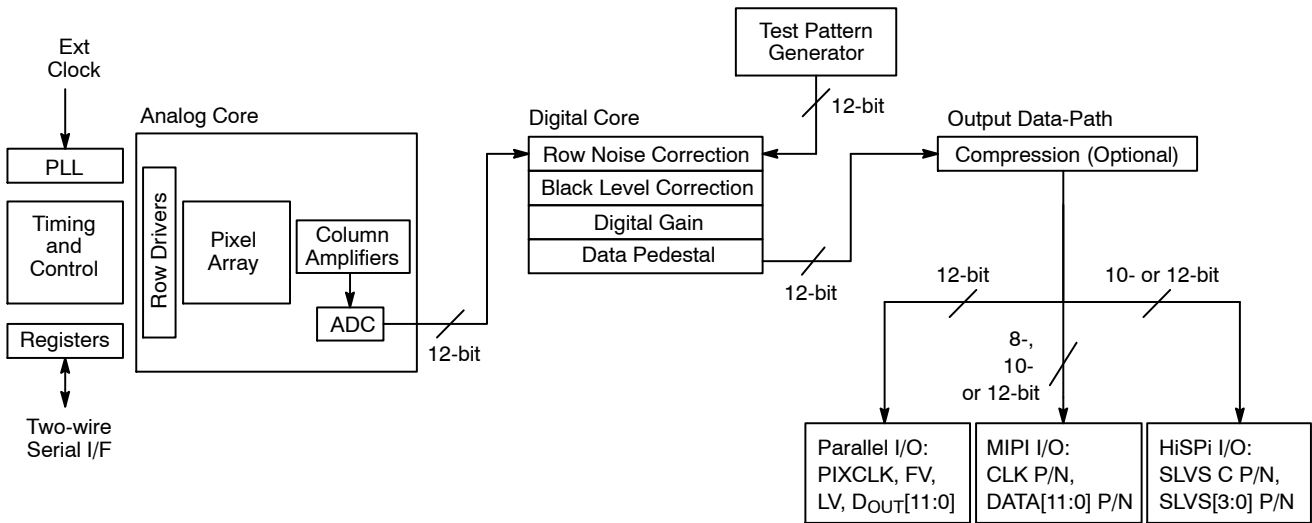


Figure 1. Block Diagram

User interaction with the sensor is through the two-wire serial bus, which communicates with the array control, analog signal chain, and digital signal chain. The core of the sensor is a 3.4 Mp active-pixel sensor array. The timing and control circuitry sequences through the rows of the array, resetting and then reading each row in turn. In the time interval between resetting a row and reading that row, the pixels in the row integrate incident light. The exposure is

controlled by varying the time interval between reset and readout. Once a row has been read, the signal from the column is amplified in a column amplifier and then digitized in an analog-to-digital converter (ADC). The output from the ADC is a 12-bit value for each pixel in the array. The ADC output passes through a digital processing signal chain (which provides further data path corrections and applies digital gain).

WORKING MODES

The AR0330 sensor working modes are specified from the following aspect ratios:

Table 3. AVAILABLE ASPECT RATIOS IN THE AR0330 SENSOR

Aspect Ratio		Sensor Array Usage
3:2	Still Format #1	2256 (H) × 1504 (V)
4:3	Still Format #2	2048 (H) × 1536 (V)
16:10	Still Format #3	2256 (H) × 1440 (V)
16:9	HD Format	2304 (H) × 1296 (V)

The AR0330 supports the following working modes. To operate the sensor at full speed (196 Mp/s) the sensor must use the 4-lane HiSPi or MIPI interface. The sensor will

operate at half-speed (98 Mp/s) when using the parallel interface.

Table 4. AVAILABLE WORKING MODES IN THE AR0330 SENSOR

Mode	Aspect Ratio	Active Readout Window	Sensor Output Resolution	FPS (4-lane MIPI/HiSPi Interface)	FPS (Parallel Interface)	Subsampling	FOV
1080p + EIS	16:9	2304 × 1296	2304 × 1296	60	N/A	–	100%
				30	30	–	100%
3M Still	4:3	2048 × 1536	2048 × 1536	30	25	–	100%
	3:2	2256 × 1504	2256 × 1504	30	25	–	100%
WVGA + EIS	16:9	2304 × 1296	1152 × 648	60	60	2×2	100%
WVGA + EIS Slow-motion	16:9	2304 × 1296	1152 × 648	120	N/A	2×2	100%
VGA Video	16:10	2256 × 1440	752 × 480	60	60	3×3	96%
VGA Video Slow-motion	16:10	2256 × 1440	752 × 480	215	107	3×3	96%

HiSPi POWER SUPPLY CONNECTIONS

The HiSPi interface requires two power supplies. The V_{DD_HiSPi} powers the digital logic while the $V_{DD_HiSPi_TX}$ powers the output drivers. The digital logic supply is a nominal 1.8 V and ranges from 1.7 to 1.9 V. The HiSPi drivers can receive a supply voltage of 0.4 to 0.8 V or 1.7 to 1.9 V.

The common mode voltage is derived as half of the $V_{DD_HiSPi_TX}$ supply. Two settings are available for the output common mode voltage:

1. SLVS Mode:

The $V_{DD_HiSPi_Tx}$ supply must be in the range of 0.4 to 0.8 V and the `high_vcm` register bit `R0x306E[9]` must be set to “0”.

The output common mode voltage will be in the range of 0.2 to 0.4 V.

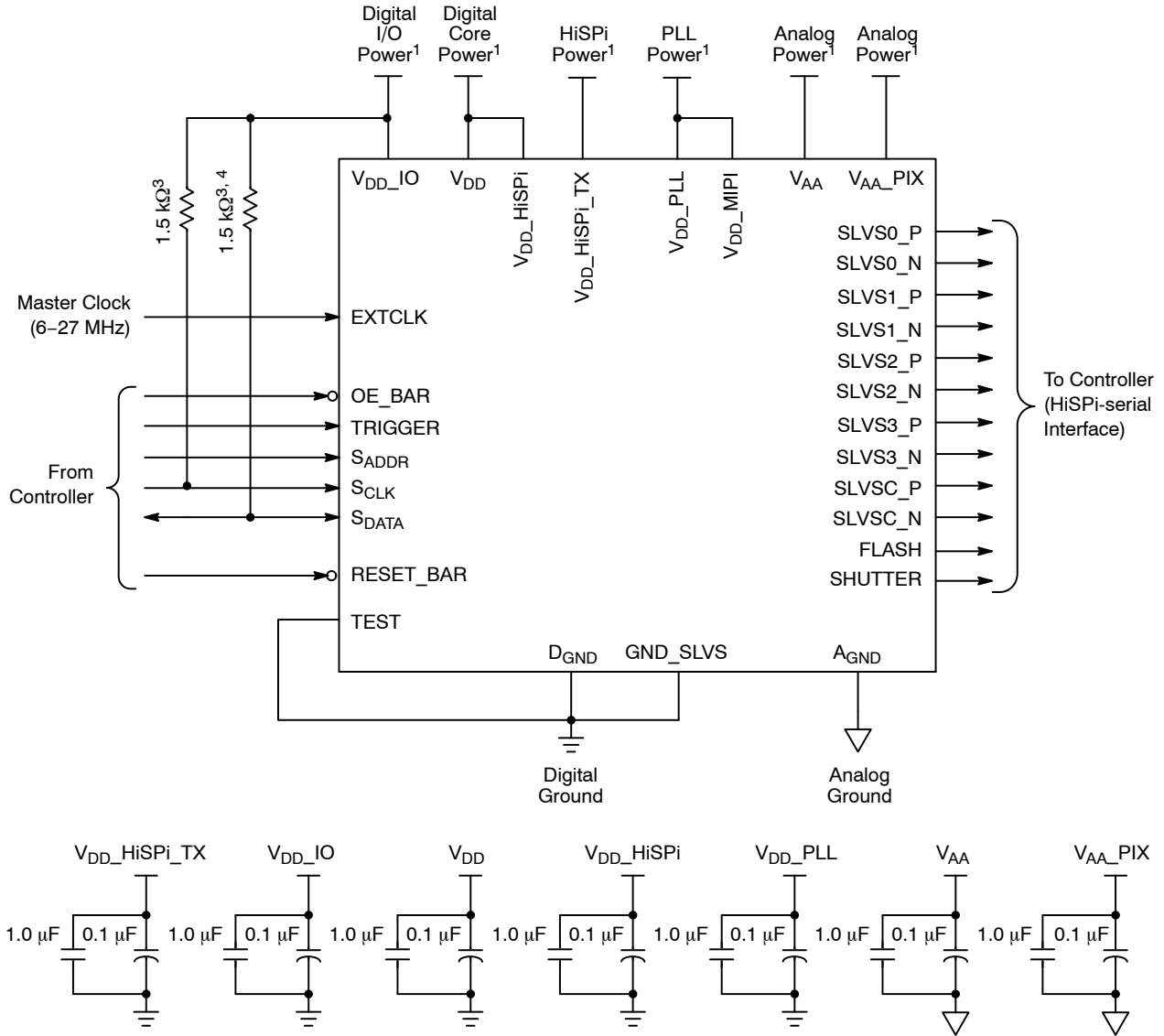
2. HiVCM Mode:

The $V_{DD_HiSPi_Tx}$ supply must be in the range of 1.7 to 1.9 V and the `high_vcm` register bit `R0x306E[9]` must be set to “1”. The output common mode voltage will be in the range of 0.76 to 1.07 V.

Two prior naming conventions have also been used with the V_{DD_HiSPi} and $V_{DD_HiSPi_TX}$ pins:

1. Digital logic supply was named V_{DD_SLVS} while the driver supply was named $V_{DD_SLVS_TX}$.
2. Digital logic supply was named V_{DD_PHY} while the driver supply was named V_{DD_SLVS} .

TYPICAL CONFIGURATIONS

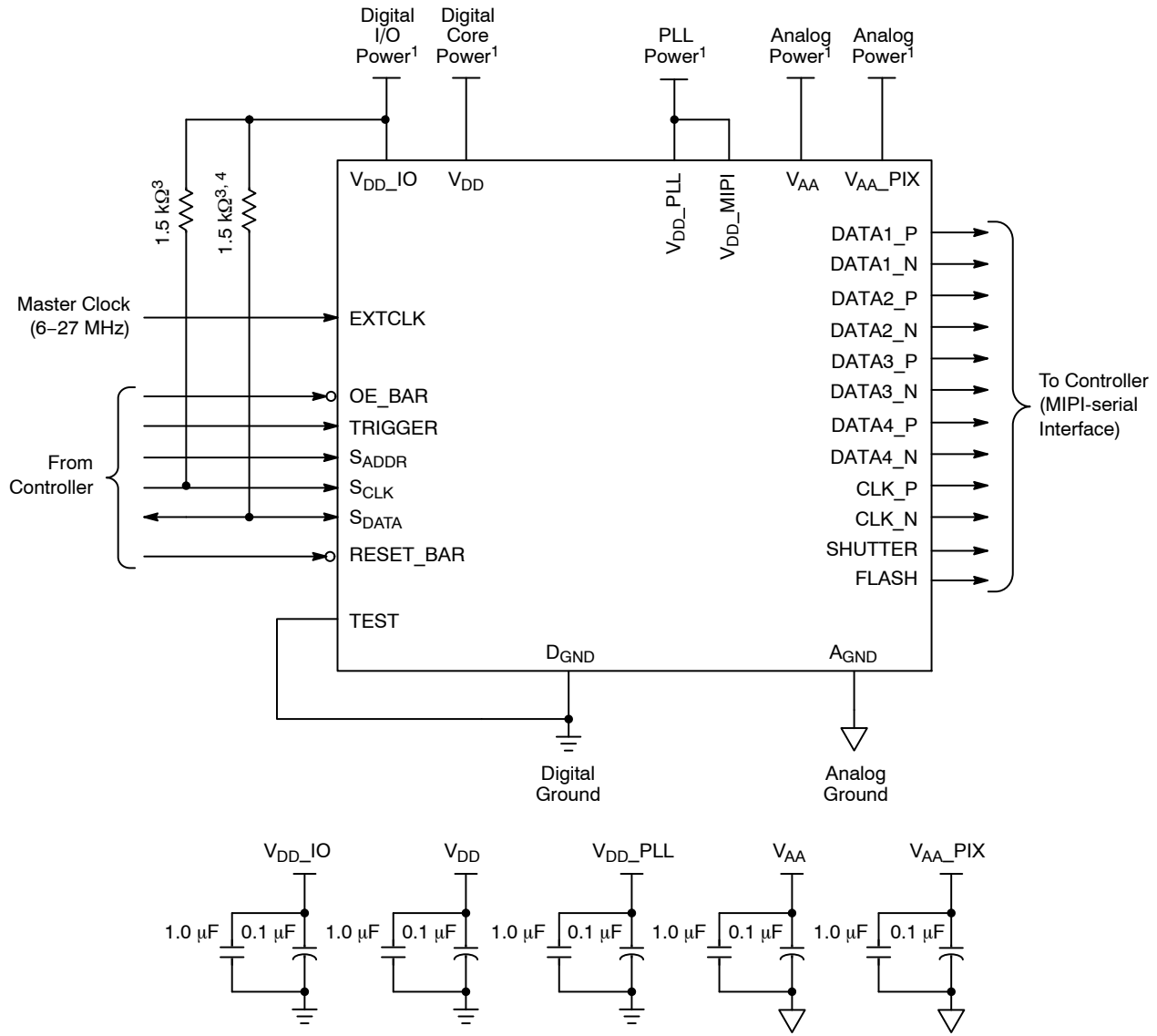


Notes:

1. All power supplies must be adequately decoupled. ON Semiconductor recommends having 1.0 μF and 0.1 μF decoupling capacitors for every power supply. If space is a concern, then priority must be given in the following order: V_{AA}, V_{AA_PIX}, V_{DD_PLL}, V_{DD_IO}, and V_{DD}. Actual values and results may vary depending on layout and design considerations.
2. To allow for space constraints, ON Semiconductor recommends having 0.1 μF decoupling capacitor inside the module as close to the pads as possible. In addition, place a 10 μF capacitor for each supply off-module but close to each supply.
3. ON Semiconductor recommends a resistor value of 1.5 kΩ, but a greater value may be used for slower two-wire speed.
4. This pull-up resistor is not required if the controller drives a valid logic level on S_{CLK} at all times.
5. ON Semiconductor recommends that analog power planes are placed in a manner such that coupling with the digital power planes is minimized.
6. TEST pin should be tied to D_{GND}.
7. Set High_VCM (R0x306E[9]) to 0 (default) to use the V_{DD_HiSPi_TX} in the range of 0.4–0.8 V. Set High_VCM to 1 to use a range of 1.7–1.9 V.
8. The package pins or die pads used for the MIPI data and clock as well as the parallel interface must be left floating.
9. The V_{DD_MIPI} package pin and sensor die pad should be connected to a 2.8 V supply as V_{DD_MIPI} is tied to the V_{DD_PLL} supply both in the package routing and also within the sensor die itself.
10. If the SHUTTER or FLASH pins or pads are not used, then they must be left floating.
11. If the TRIGGER pin or pad is not used then it should be tied to D_{GND}.
12. The G_{ND_SLVS} pad must be tied to D_{GND}. It is connected this way in the CLCC and CSP packages.

Figure 2. Serial 4-lane HiSPi Interface

AR0330CM

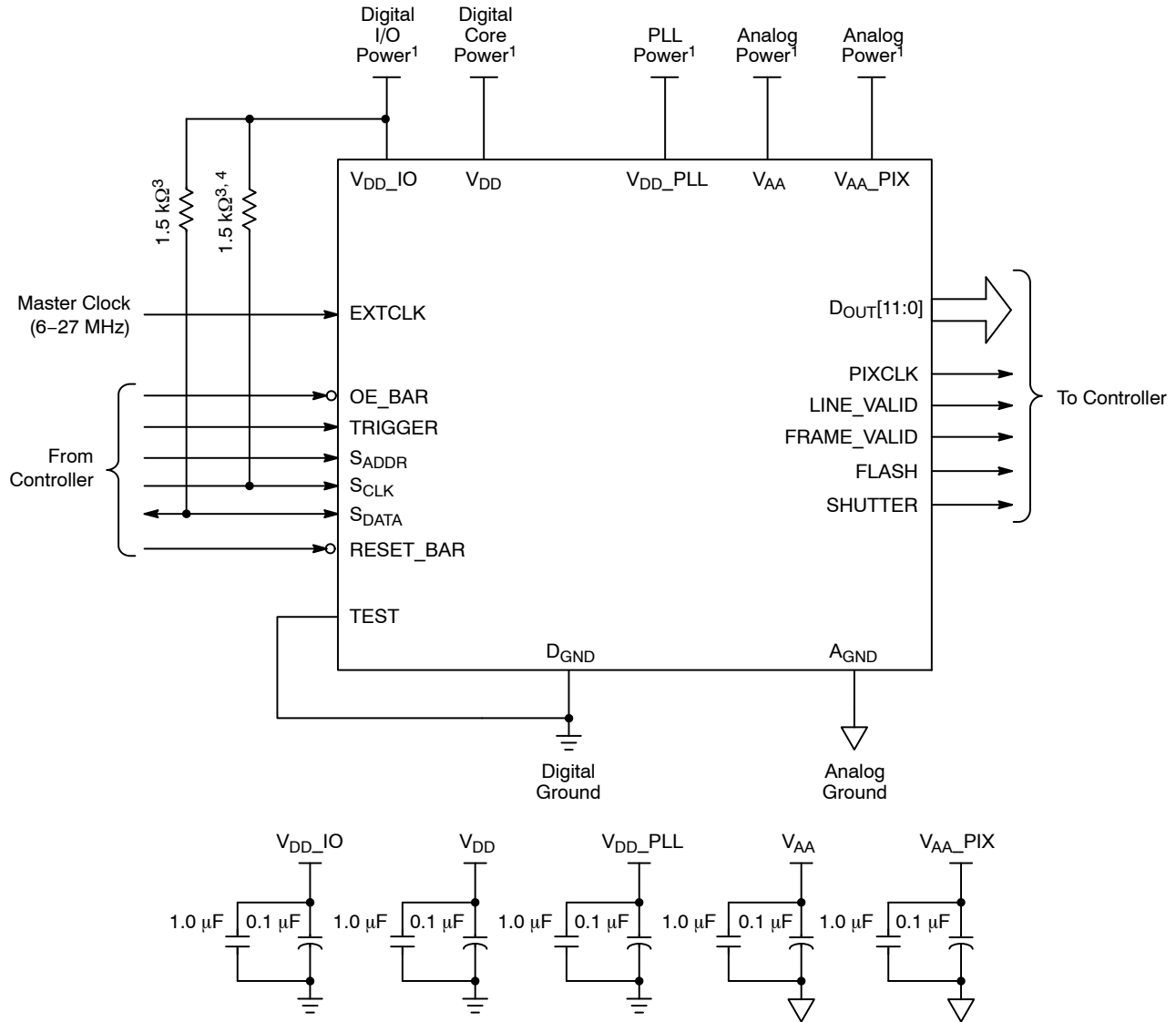


Notes:

1. All power supplies must be adequately decoupled. ON Semiconductor recommends having 1.0 μF and 0.1 μF decoupling capacitors for every power supply. If space is a concern, then priority must be given in the following order: V_{AA} , V_{AA_PIX} , V_{DD_PLL} , V_{DD_MIPI} , V_{DD_IO} , and V_{DD} . Actual values and results may vary depending on layout and design considerations.
2. To allow for space constraints, ON Semiconductor recommends having 0.1 μF decoupling capacitor inside the module as close to the pads as possible. In addition, place a 10 μF capacitor for each supply off-module but close to each supply.
3. ON Semiconductor recommends a resistor value of 1.5 $\text{k}\Omega$, but a greater value may be used for slower two-wire speed.
4. This pull-up resistor is not required if the controller drives a valid logic level on S_{CLK} at all times.
5. ON Semiconductor recommends that analog power planes are placed in a manner such that coupling with the digital power planes is minimized.
6. TEST pin must be tied to D_{GND} for the MIPI configuration.
7. ON Semiconductor recommends that GND_{MIPI} be tied to D_{GND} .
8. V_{DD_MIPI} is tied to V_{DD_PLL} in both the CLCC and the CSP package. ON Semiconductor strongly recommends that V_{DD_MIPI} must be connected to a V_{DD_PLL} in a module design since V_{DD_PLL} and V_{DD_MIPI} are tied together in the die.
9. The package pins or die pads used for the HiSPi data and clock as well as the parallel interface must be left floating.
10. HiSPi Power Supplies (V_{DD_HISPI} and $V_{DD_HISPI_TX}$) can be tied to ground.
11. If the SHUTTER or FLASH pins or pads are not used, then they must be left floating.
12. If the TRIGGER pin or pad is not used then it should be tied to D_{GND} .

Figure 3. Serial MIPI

AR0330CM



Notes:

1. All power supplies must be adequately decoupled. ON Semiconductor recommends having 1.0 μF and 0.1 μF decoupling capacitors for every power supply. If space is a concern, then priority must be given in the following order: VAA, VAA_PIX, VDD_PLL, VDD_IO, and VDD. Actual values and results may vary depending on layout and design considerations.
2. To allow for space constraints, ON Semiconductor recommends having 0.1 μF decoupling capacitor inside the module as close to the pads as possible. In addition, place a 10 μF capacitor for each supply off-module but close to each supply.
3. ON Semiconductor recommends a resistor value of 1.5 kΩ, but a greater value may be used for slower two-wire speed.
4. This pull-up resistor is not required if the controller drives a valid logic level on S_CLK at all times.
5. ON Semiconductor recommends that analog power planes are placed in a manner such that coupling with the digital power planes is minimized.
6. TEST pin should be tied to the ground.
7. The data and clock package pins or die pads used for the HiSpi and MIPI interface must be left floating.
8. The VDD_MIPI package pin and sensor die pad should be connected to a 2.8 V supply as it is tied to the VDD_PLL supply both in the package routing and also within the sensor die itself. HiSpi Power Supplies (VDD_HISPI and VDD_HISPI_TX) can be tied to ground.
9. If the SHUTTER or FLASH pins or pads are not used, then they must be left floating.
10. If the TRIGGER pin or pad is not used then it should be tied to D_GND.

Figure 4. Parallel Pixel Data Interface

AR0330CM

PIN DESCRIPTIONS

Table 5. PIN DESCRIPTIONS

Name	Type	Description
RESET_BAR	Input	Asynchronous reset (active LOW). All settings are restored to factory default.
EXTCLK	Input	Master input clock, range 6–27 MHz.
OE_BAR	Input	Output enable (active LOW). Only available on bare die version.
TRIGGER	Input	Receives slave mode VD signal for frame rate synchronization and trigger to start a GRR frame.
S_ADDR	Input	Two-wire serial address select.
S_CLK	Input	Two-wire serial clock input.
S_DATA	I/O	Two-wire serial data I/O.
PIXCLK	Output	Pixel clock out. D _{OUT} is valid on rising edge of this clock.
D _{OUT} [11:0]	Output	Parallel pixel data output.
FLASH	Output	Flash output. Synchronization pulse for external light source. Can be left floating if not used.
FRAME_VALID	Output	Asserted when D _{OUT} data is valid.
LINE_VALID	Output	Asserted when D _{OUT} data is valid.
V _{DD}	Power	Digital power.
V _{DD_IO}	Power	IO supply power.
V _{DD_PLL}	Power	PLL power supply. The MIPI power supply (V _{DD_MIPI}) is tied to V _{DD_PLL} in both packages.
D _{GND}	Power	Digital GND.
V _{AA}	Power	Analog power.
V _{AA_PIX}	Power	Pixel power.
A _{GND}	Power	Analog GND.
TEST	Input	Enable manufacturing test modes. Tie to D _{GND} for normal sensor operation.
SHUTTER	Output	Control for external mechanical shutter. Can be left floating if not used.
SLVS0_P	Output	HiSPi serial data, lane 0, differential P.
SLVS0_N	Output	HiSPi serial data, lane 0, differential N.
SLVS1_P	Output	HiSPi serial data, lane 1, differential P.
SLVS1_N	Output	HiSPi serial data, lane 1, differential N.
SLVS2_P	Output	HiSPi serial data, lane 2, differential P.
SLVS2_N	Output	HiSPi serial data, lane 2, differential N.
SLVS3_P	Output	HiSPi serial data, lane 3, differential P.
SLVS3_N	Output	HiSPi serial data, lane 3, differential N.
SLVSC_P	Output	HiSPi serial DDR clock differential P.
SLVSC_N	Output	HiSPi serial DDR clock differential N.
DATA1_P	Output	MIPI serial data, lane 1, differential P.
DATA1_N	Output	MIPI serial data, lane 1, differential N.
DATA2_P	Output	MIPI serial data, lane 2, differential P.
DATA2_N	Output	MIPI serial data, lane 2, differential N.
DATA3_P	Output	MIPI serial data, lane 3, differential P.
DATA3_N	Output	MIPI serial data, lane 3, differential N.
DATA4_P	Output	MIPI serial data, lane 4, differential P.
DATA4_N	Output	MIPI serial data, lane 4, differential N.

AR0330CM

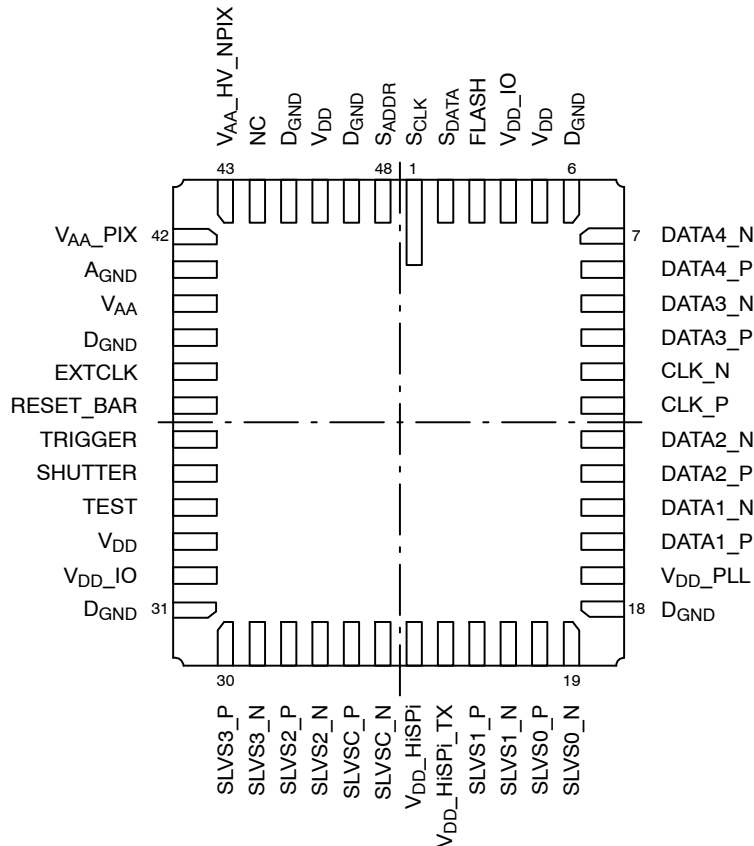
Table 5. PIN DESCRIPTIONS (continued)

Name	Type	Description
CLK_P	Output	Output MIPI serial clock, differential P.
CLK_N	Output	Output MIPI serial clock, differential N.
V _{DD} _HiSPi	Power	1.8 V power port to HiSPi digital logic.
V _{DD} _HiSPi_TX	Power	0.4–0.8 V or 1.7–1.9 V. Refer to “HiSPi Power Supply Connections”.
V _{AA} _HV_NPIX	Power	Power supply pin used to program the sensor OTPM (one-time programmable memory). This pin should be open if OTPM is not used.

Table 6. CSP (HiSPi/MIPI) PACKAGE PINOUT

	1	2	3	4	5	6	7	8
A	V _{AA}	V _{AA} _HV_NPIX	A _{GND}	A _{GND}	V _{AA}	V _{DD}	TEST	D _{GND}
B	D _{GND}	NC	V _{AA} _PIX	D _{GND}	V _{DD} _IO	TRIGGER	RESET_BAR	EXTCLK
C	V _{DD}	SHUTTER	D _{GND}	SLVSC_P	SLVS3_P	SLVS3_N	SLVS2_N	SLVS2_P
D	S _{ADDR}	S _{CLK}	S _{DATA}	FLASH	SLVSC_N	SLVS1_P	V _{DD} _HiSPi_TX	V _{DD} _HiSPi
E	V _{DD} _IO	V _{DD} _IO	CLK_N	CLK_P	D _{GND}	SLVS1_N	SLVS0_N	SLVS0_P
F	D _{GND}	V _{DD} _IO	D _{GND}	D _{GND}	DATA4_P	DATA_N	DATA_P	V _{DD} _PLL
G	V _{DD} _IO	V _{DD}	D _{GND}	V _{DD} _IO	DATA4_N	DATA3_N	DATA2_N	V _{DD}
H	D _{GND}	V _{DD} _IO	V _{DD} _IO	D _{GND}	V _{DD} _PLL	DATA3_P	DATA2_P	V _{DD} _PLL

NOTE: NC = No Connection.



NOTE: Pins labeled NC (Not Connected) should be tied to ground.

Figure 5. CLCC Package Pin Descriptions

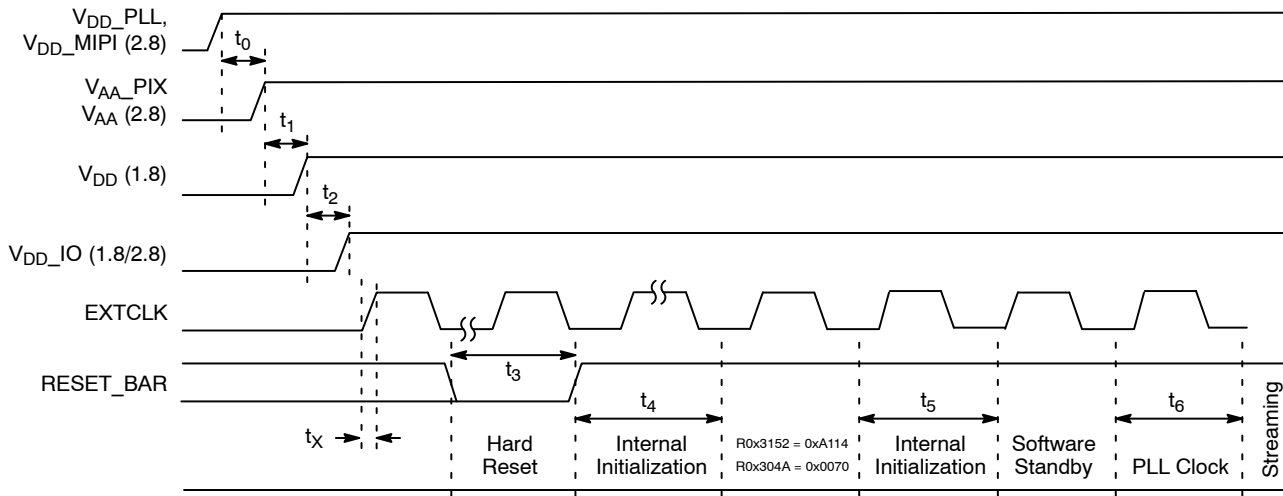
SENSOR INITIALIZATION

Power-Up Sequence

The recommended power-up sequence for the AR0330CS is shown in Figure 6. The available power supplies (V_{DD_IO} , V_{DD_PLL} , V_{DD_MIPI} , V_{AA} , V_{AA_PIX}) must have the separation specified below.

1. Turn on V_{DD_PLL} and V_{DD_MIPI} power supplies.
2. After 100 μ s, turn on V_{AA} and V_{AA_PIX} power supply.
3. After 100 μ s, turn on V_{DD} power supply.
4. After 100 μ s, turn on V_{DD_IO} power supply.
5. After the last power supply is stable, enable EXTCLK.

6. Assert RESET_BAR for at least 1 ms.
7. Wait 150,000 EXTCLK periods (for internal initialization into software standby).
8. Write $R0x3152 = 0xA114$ to configure the internal register initialization process.
9. Write $R0x304A = 0x0070$ to start the internal register initialization process.
10. Wait 150,000 EXTCLK periods.
11. Configure PLL, output, and image settings to desired values.
12. Wait 1ms for the PLL to lock.
13. Set streaming mode ($R0x301A[2] = 1$).



Notes:

1. A software reset ($R0x301A[0] = 1$) is not necessary after the procedure described above since a Hard Reset will automatically triggers a software reset. Independently executing a software reset, should be followed by steps seven through thirteen above.
2. The sensor must be receiving the external input clock (EXTCLK) before the reset pin is toggled. The sensor will begin an internal initialization sequence when the reset pin toggle from LOW to HIGH. This initialization sequence will run using the external input clock. Power on default state is software standby state, need to apply two-wire serial commands to start streaming. Above power up sequence is a general power up sequence. For different interface configurations, MIPI, and Parallel, some power rails are not needed. Those not needed power rails should be ignored in the general power up sequence.

Figure 6. Power Up

Table 7. POWER-UP SEQUENCE

Symbol	Definition	Min	Typ	Max	Unit
t_0	V_{DD_PLL} , V_{DD_MIPI} to V_{AA}/V_{AA_PIX} (Note 3)	0	100	–	μ s
t_1	V_{AA}/V_{AA_PIX} to V_{DD}	0	100	–	μ s
t_2	V_{DD} to V_{DD_IO}	0	100	–	μ s
t_x	External Clock Settling Time (Note 1)	–	30	–	ms
t_3	Hard Reset (Note 2)	1	–	–	ms
t_4	Internal Initialization	150000	–	–	EXTCLKs
t_5	Internal Initialization	150000	–	–	EXTCLKs
t_6	PLL Lock Time	1	–	–	ms

1. External clock settling time is component-dependent, usually taking about 10–100 ms.
2. Hard reset time is the minimum time required after power rails are settled. In a circuit where Hard reset is held down by RC circuit, then the RC time must include the all power rail settle time and Xtal settle time.
3. It is critical that V_{DD_PLL} is not powered up after the other power supplies. It must be powered before or at least at the same time as the others. If the case happens that V_{DD_PLL} is powered after other supplies then sensor may have functionality issues and will experience high current draw on this supply.
4. V_{DD_MIPI} is tied to V_{DD_PLL} in the both the CLCC and CSP packages and must be powered to 2.8 V. The V_{DD_HiSPi} and $V_{DD_HiSPi_TX}$ supplies do not need to be turned on if the sensor is configured to use the MIPI or parallel interface.

AR0330CM

Power-Down Sequence

The recommended power-down sequence for the AR0330 is shown in Figure 7. The available power supplies (V_{DD_IO} , V_{DD_HiSPi} , $V_{DD_HiSPi_TX}$, V_{DD_PLL} , V_{DD_MIPI} , V_{AA} , V_{AA_PIX}) must have the separation specified below.

1. Disable streaming if output is active by setting standby $R0x301a[2] = 0$.

2. The soft standby state is reached after the current row or frame, depending on configuration, has ended.
3. Turn off $V_{DD_HiSPi_TX}$.
4. Turn off V_{DD_IO} .
5. Turn off V_{DD} and V_{DD_HiSPi} .
6. Turn off V_{AA}/V_{AA_PIX} .
7. Turn off V_{DD_PLL} , V_{DD_MIPI} .

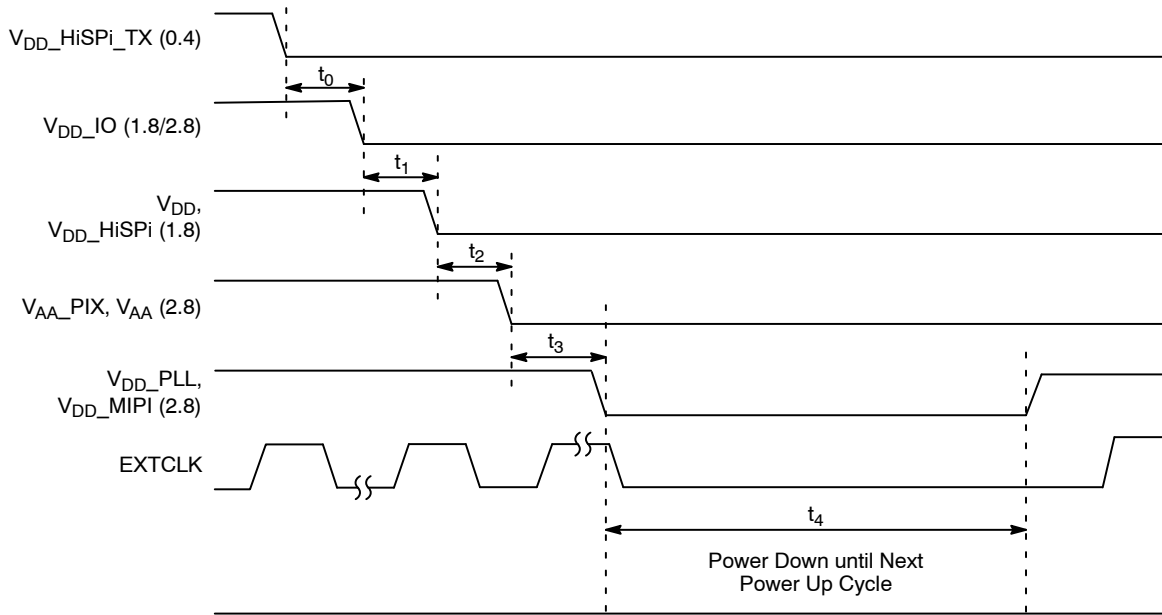


Figure 7. Power Down

Table 8. POWER-DOWN SEQUENCE

Symbol	Parameter	Min	Typ	Max	Unit
t_0	$V_{DD_HiSPi_TX}$ to V_{DD_IO}	0	–	–	μs
t_1	V_{DD_IO} to V_{DD} and V_{DD_HiSPi}	0	–	–	μs
t_2	V_{DD} and V_{DD_HiSPi} to V_{AA}/V_{AA_PIX}	0	–	–	μs
t_3	V_{AA}/V_{AA_PIX} to V_{DD_PLL}	0	–	–	μs
t_4	PwrDn until Next PwrUp Time	100	–	–	ms

NOTE: t_4 is required between power down and next power up time; all decoupling caps from regulators must be completely discharged.

ELECTRICAL CHARACTERISTICS

Table 9. DC ELECTRICAL DEFINITIONS AND CHARACTERISTICS (MIPI MODE)

($f_{EXTCLK} = 24$ MHz; $V_{DD} = 1.8$ V; $V_{DD_IO} = 1.8$ V; $V_{AA} = 2.8$ V; $V_{AA_PIX} = 2.8$ V; $V_{DD_PLL} = 2.8$ V; Output Load = 68.5 pF; $T_J = 60^\circ\text{C}$; Data Rate = 588 Mbps; 2304×1296 at 60 fps)

Symbol	Definition	Min	Typ	Max	Unit
V_{DD}	Core Digital Voltage	1.7	1.8	1.9	V
V_{DD_IO}	I/O Digital Voltage	1.7 2.4	1.8 2.8	1.9 3.1	V
V_{AA}	Analog Voltage	2.7	2.8	2.9	V
V_{AA_PIX}	Pixel Supply Voltage	2.7	2.8	2.9	V
V_{DD_PLL}	PLL Supply Voltage	2.7	2.8	2.9	V
V_{DD_MIPI}	MIPI Supply Voltage	2.7	2.8	2.9	V
$I(V_{DD})$	Digital Operating Current	–	114	136	mA
$I(V_{DD_IO})$	I/O Digital Operating Current	–	0	0	mA
$I(V_{AA})$	Analog Operating Current	–	41	53	mA
$I(V_{AA_PIX})$	Pixel Supply Current	–	9.9	12	mA
$I(V_{DD_PLL})$	PLL Supply Current	–	15	27	mA
$I(V_{DD_MIPI})$	MIPI Digital Operating Current	–	35	49	mA

Table 10. DC ELECTRICAL DEFINITIONS AND CHARACTERISTICS (HiSPi MODE)

($f_{EXTCLK} = 24$ MHz; $V_{DD} = 1.8$ V; $V_{DD_IO} = 1.8$ V; $V_{AA} = 2.8$ V; $V_{AA_PIX} = 2.8$ V; $V_{DD_PLL} = 2.8$ V; $V_{DD_HiSPi} = 1.8$ V; $V_{DD_HiSPi_TX} = 0.4$ V; Output Load = 68.5 pF; $T_J = 60^\circ\text{C}$; Data Rate = 588 Mbps; DLL Set to 0; 2304×1296 at 60 fps)

Symbol	Definition	Min	Typ	Max	Unit
V_{DD}	Core Digital Voltage	1.7	1.8	1.9	V
V_{DD_IO}	I/O Digital Voltage	1.7 2.4	1.8 2.8	1.9 3.1	V
V_{AA}	Analog Voltage	2.7	2.8	2.9	V
V_{AA_PIX}	Pixel Supply Voltage	2.7	2.8	2.9	V
V_{DD_PLL}	PLL Supply Voltage	2.7	2.8	2.9	V
V_{DD_HiSPi}	HiSPi Digital Voltage	1.7	1.8	1.9	V
$V_{DD_HiSPi_TX}$	HiSPi I/O Digital Voltage	0.3 1.7	0.4 1.8	0.9 1.9	V
$I(V_{DD})$	Digital Operating Current	–	96.3	137	mA
$I(V_{DD_IO})$	I/O Digital Operating Current	–	0	0	mA
$I(V_{AA})$	Analog Operating Current	–	45.1	53	mA
$I(V_{AA_PIX})$	Pixel Supply Current	–	10.5	12	mA
$I(V_{DD_PLL})$	PLL Supply Current	–	6.4	11	mA
$I(V_{DD_HiSPi})$	HiSPi Digital Operating Current	–	21.8	36	mA
$I(V_{DD_HiSPi_TX})$	HiSPi I/O Digital Operating Current	–	22.3	40	mA

AR0330CM

Table 11. DC ELECTRICAL DEFINITIONS AND CHARACTERISTICS (PARALLEL MODE)

($f_{EXTCLK} = 24 \text{ MHz}$; $V_{DD} = 1.8 \text{ V}$; $V_{DD_IO} = 1.8 \text{ V}$; $V_{AA} = 2.8 \text{ V}$; $V_{AA_PIX} = 2.8 \text{ V}$; $V_{DD_PLL} = 2.8 \text{ V}$; Output Load = 68.5 pF; $T_J = 60^\circ\text{C}$; 2304 × 1296 at 30 fps)

Symbol	Definition	Min	Typ	Max	Unit
V_{DD}	Core Digital Voltage	1.7	1.8	1.9	V
V_{DD_IO}	I/O Digital Voltage	1.7 2.4	1.8 2.8	1.9 3.1	V
V_{AA}	Analog Voltage	2.7	2.8	2.9	V
V_{AA_PIX}	Pixel Supply Voltage	2.7	2.8	2.9	V
V_{DD_PLL}	PLL Supply Voltage	2.7	2.8	2.9	V
$I(V_{DD})$	Digital Operating Current	–	66.5	75	mA
$I(V_{DD_IO})$	I/O Digital Operating Current	–	24	35	mA
$I(V_{AA})$	Analog Operating Current	–	36	44	mA
$I(V_{AA_PIX})$	Pixel Supply Current	–	10.5	18	mA
$I(V_{DD_PLL})$	PLL Supply Current	–	6	11	mA

Table 12. STANDBY POWER

($f_{EXTCLK} = 24 \text{ MHz}$; $V_{DD} = 1.8 \text{ V}$; $V_{DD_IO} = 1.8 \text{ V}$; $V_{AA} = 2.8 \text{ V}$; $V_{AA_PIX} = 2.8 \text{ V}$; $V_{DD_PLL} = 2.8 \text{ V}$; Output Load = 68.5 pF; $T_J = 60^\circ\text{C}$)

	Power	Typ	Max	Unit
Hard Standby (CLK OFF)	Digital	19.8	35.8	μA
	Analog	5.8	7.0	μA
Soft Standby (CLK OFF)	Digital	23.5	39.7	μA
	Analog	5.4	5.9	μA
Soft Standby (CLK ON)	Digital	15700	16900	μA
	Analog	5.5	5.7	μA

CAUTION: Stresses greater than those listed in Table 13 may cause permanent damage to the device. This is a stress rating only, and functional operation of the device at these or any other conditions above those indicated in the operational sections of this specification is not implied.

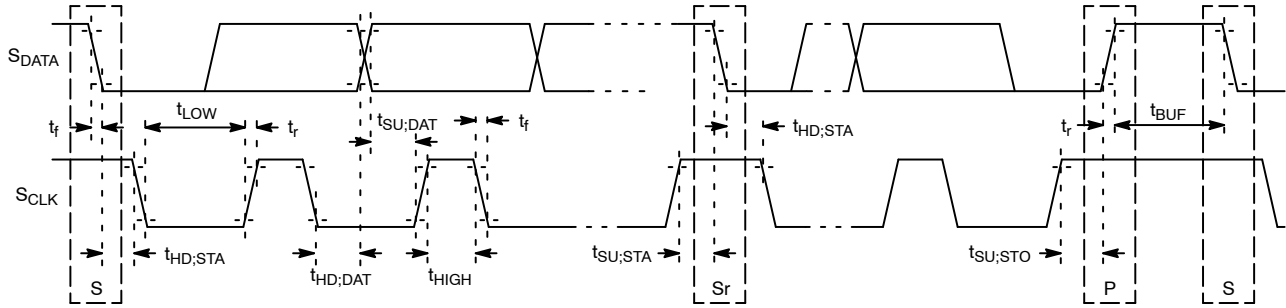
Table 13. ABSOLUTE MAXIMUM RATINGS

Symbol	Definition	Min	Max	Unit
V_{DD_MAX}	Core Digital Voltage	–0.3	2.4	V
$V_{DD_IO_MAX}$	I/O Digital Voltage	–0.3	4	V
V_{AA_MAX}	Analog Voltage	–0.3	4	V
V_{AA_PIX}	Pixel Supply Voltage	–0.3	4	V
V_{DD_PLL}	PLL Supply Voltage	–0.3	4	V
V_{DD_MIPI}	MIPI Supply Voltage	–0.3	4	V
$V_{DD_HiSPi_MAX}$	HiSPi Digital Voltage	–0.3	2.4	V
$V_{DD_HiSPi_TX_MAX}$	HiSPi I/O Digital Voltage	–0.3	2.4	V
t_{ST}	Storage Temperature	–40	85	$^\circ\text{C}$

Stresses exceeding those listed in the Maximum Ratings table may damage the device. If any of these limits are exceeded, device functionality should not be assumed, damage may occur and reliability may be affected.

Two-Wire Serial Register Interface

The electrical characteristics of the two-wire serial register interface (S_{CLK} , S_{DATA}) are shown in Figure 8 and Table 14.



NOTE: Read sequence: For an 8-bit READ, read waveforms start after WRITE command and register address are issued.

Figure 8. Two-Wire Serial Bus Timing Parameters

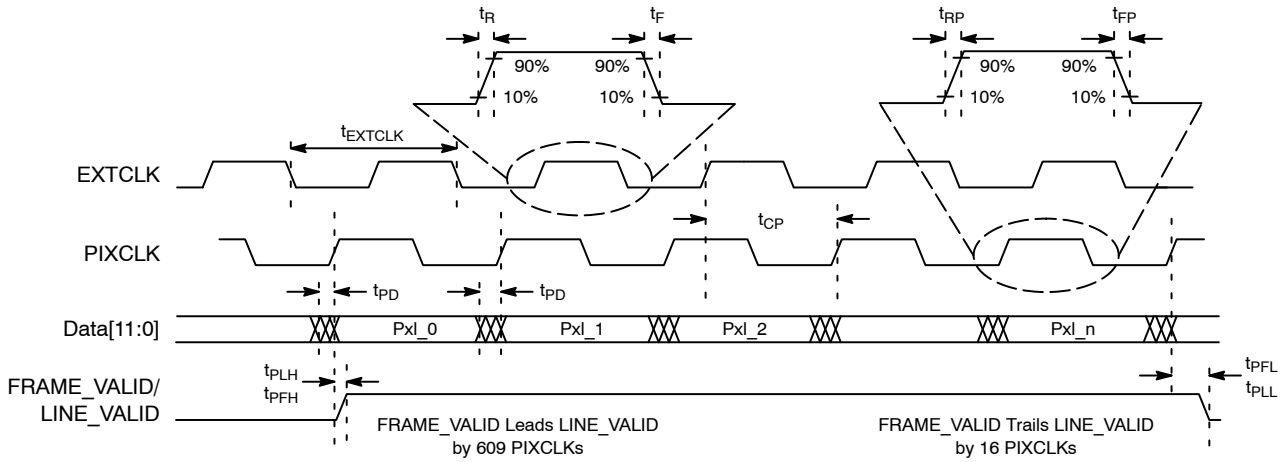
Table 14. TWO-WIRE SERIAL BUS CHARACTERISTICS

($f_{EXTCLK} = 27$ MHz; $V_{DD} = 1.8$ V; $V_{DD_IO} = 2.8$ V; $V_{AA} = 2.8$ V; $V_{AA_PIX} = 2.8$ V; $V_{DD_PLL} = 2.8$ V; $T_A = 25^\circ\text{C}$)

Parameter	Symbol	Standard Mode		Fast Mode		Unit
		Min	Max	Min	Max	
S_{CLK} Clock Frequency	t_{SCL}	0	100	0	400	kHz
Hold Time (Repeated) START Condition						
After this Period, the First Clock Pulse is Generated	$t_{HD;STA}$	4.0	–	0.6	–	μs
LOW Period of the S_{CLK} Clock	t_{LOW}	4.7	–	1.3	–	μs
HIGH Period of the S_{CLK} Clock	t_{HIGH}	4.0	–	0.6	–	μs
Set-up Time for a Repeated START Condition	$t_{SU;STA}$	4.7	–	0.6	–	μs
Data Hold Time	$t_{HD;DAT}$	0 (Note 4)	3.45 (Note 5)	0 (Note 6)	0.9 (Note 5)	μs
Data Set-up Time	$t_{SU;DAT}$	250	–	100 (Note 6)	–	ns
Rise Time of both S_{DATA} and S_{CLK} Signals	t_r	–	1000	$20 + 0.1 C_b$ (Note 7)	300	ns
Fall Time of both S_{DATA} and S_{CLK} Signals	t_f	–	300	$20 + 0.1 C_b$ (Note 7)	300	ns
Set-up Time for STOP Condition	$t_{SU;STO}$	4.0	–	0.6	–	μs
Bus Free Time between a STOP and START Condition	t_{BUF}	4.7	–	1.3	–	μs
Capacitive Load for Each Bus Line	C_b	–	400	–	400	pF
Serial Interface Input Pin Capacitance	C_{IN_SI}	–	3.3	–	3.3	pF
S_{DATA} Max Load Capacitance	C_{LOAD_SD}	–	30	–	30	pF
S_{DATA} Pull-up Resistor	RSD	1.5	4.7	1.5	4.7	k Ω

- This table is based on I²C standard (v2.1 January 2000). Philips Semiconductor.
- Two-wire control is I²C-compatible.
- All values referred to $V_{IHmin} = 0.9 V_{DD}$ and $V_{ILmax} = 0.1 V_{DD}$ levels. Sensor EXCLK = 27 MHz.
- A device must internally provide a hold time of at least 300 ns for the S_{DATA} signal to bridge the undefined region of the falling edge of S_{CLK} .
- The maximum $t_{HD;DAT}$ has only to be met if the device does not stretch the LOW period (t_{LOW}) of the S_{CLK} signal.
- A Fast-mode I²C-bus device can be used in a Standard-mode I²C-bus system, but the requirement $t_{SU;DAT}$ 250 ns must then be met. This will automatically be the case if the device does not stretch the LOW period of the S_{CLK} signal. If such a device does stretch the LOW period of the S_{CLK} signal, it must output the next data bit to the S_{DATA} line $t_r \text{ max} + t_{SU;DAT} = 1000 + 250 = 1250$ ns (according to the Standard-mode I²C-bus specification) before the S_{CLK} line is released.
- C_b = total capacitance of one bus line in pF.

AR0330CM



NOTE: PLL disabled for t_{CP} .

Figure 9. I/O Timing Diagram

Table 15. I/O PARAMETERS

($f_{EXTCLK} = 24 \text{ MHz}$; $V_{DD} = 1.8 \text{ V}$; $V_{AA} = 2.8 \text{ V}$; $V_{AA_PIX} = 2.8 \text{ V}$; $V_{DD_PLL} = 2.8 \text{ V}$; Output Load = 68.5 pF; $T_J = 60^\circ\text{C}$; $CLK_OP = 98 \text{ Mp/s}$)

Symbol	Definition	Condition	Min	Max	Unit
V_{IH}	Input HIGH Voltage	$V_{DD_IO} = 1.8 \text{ V}$ $V_{DD_IO} = 2.8 \text{ V}$	1.4 2.4	$V_{DD_IO} + 0.3$ $V_{DD_IO} + 0.3$	V
V_{IL}	Input LOW Voltage	$V_{DD_IO} = 1.8 \text{ V}$ $V_{DD_IO} = 2.8 \text{ V}$	GND - 0.3 GND - 0.3	0.4 0.8	μV
I_{IN}	Input Leakage Current	No Pull-up Resistor; $V_{IN} = V_{DD}$ OR D_{GND}	-20	20	μA
V_{OH}	Output HIGH Voltage	At Specified I_{OH}	$V_{DD_IO} - 0.4$	-	V
V_{OL}	Output LOW Voltage	At Specified I_{OL}	-	0.4	V
I_{OH}	Output HIGH Current	At Specified V_{OH}	-	-12	mA
I_{OL}	Output LOW Current	At Specified V_{OL}	-	9	mA
I_{OZ}	Tri-state Output Leakage Current		-	10	μA

Table 16. I/O TIMING

($f_{EXTCLK} = 24 \text{ MHz}$; $V_{DD} = 1.8 \text{ V}$; $V_{DD_IO} = 1.8 \text{ V}$; $V_{AA} = 2.8 \text{ V}$; $V_{AA_PIX} = 2.8 \text{ V}$; $V_{DD_PLL} = 2.8 \text{ V}$; Output load = 68.5 pF; $T_J = 60^\circ\text{C}$; $CLK_OP = 98 \text{ Mp/s}$)

Symbol	Definition	Conditions	Min	Typ	Max	Unit
f_{EXTCLK}	Input Clock Frequency	PLL Enabled	6	24	27	MHz
t_{EXTCLK}	Input Clock Period	PLL Enabled	166	41	20	ns
t_R	Input Clock Rise Time		0.5	-	Sine Wave Rise Time	ns
t_F	Input Clock Fall Time		0.5	-	Sine Wave Fall Time	ns
	Clock Duty Cycle		45	50	55	%
t_{JITTER}	Input Clock Jitter		-	-	0.3	ns
Output Pin Slew	Fastest	$C_{LOAD} = 15 \text{ pF}$	-	0.7	-	V/ns
f_{PIXCLK}	PIXCLK frequency	Default	-	80	-	MHz
t_{PD}	PIXCLK to data valid	Default	-	-	3	ns
t_{PFH}	PIXCLK to FRAME_VALID HIGH	Default	-	-	3	ns
t_{PLH}	PIXCLK to LINE_VALID HIGH	Default	-	-	3	ns
t_{PFL}	PIXCLK to FRAME_VALID LOW	Default	-	-	3	ns
t_{PLL}	PIXCLK to LINE_VALID LOW	Default	-	-	3	ns

AR0330CM

Table 17. PARALLEL I/O RISE SLEW RATE

(f_{EXTCLK} = 24 MHz; V_{DD} = 1.8 V; V_{AA} = 2.8 V; V_{AA_PIX} = 2.8 V; V_{DD_PLL} = 2.8 V; Output Load = 68.5 pF; T_J = 60°C; CLK_OP = 98 Mp/s)

VDD_IO	Parallel Slew Rate (R0x306E[15:13])								Unit
	0	1	2	3	4	5	6	7	
1.70 V	0.069	0.115	0.172	0.239	0.325	0.43	0.558	0.836	V/ns
1.80 V	0.078	0.131	0.195	0.276	0.375	0.507	0.667	1.018	
1.95 V	0.093	0.156	0.233	0.331	0.456	0.62	0.839	1.283	
2.50 V	0.15	0.252	0.377	0.539	0.759	1.07	1.531	2.666	
2.80 V	0.181	0.305	0.458	0.659	0.936	1.347	1.917	3.497	
3.10 V	0.212	0.361	0.543	0.78	1.114	1.618	2.349	4.14	

HiSPi TRANSMITTER

NOTE: Refer to “High-Speed Serial Pixel Interface Physical Layer Specification v2.00.00” for further explanation of the HiSPi transmitter specification.

SLVS Electrical Specifications

Table 18. POWER SUPPLY AND OPERATING TEMPERATURE

(f_{EXTCLK} = 24 MHz; V_{DD} = 1.8 V; V_{DD_IO} = 1.8 V; V_{AA} = 2.8 V; V_{AA_PIX} = 2.8 V; V_{DD_PLL} = 2.8 V; Output load = 68.5 pF; T_J = 60°C; CLK_OP = 98 Mp/s)

Symbol	Parameter	Min	Typ	Max	Unit
I _{DD_HiSPi_TX}	SLVS Current Consumption (Notes 1, 2)	–	–	n × 18	mA
I _{DD_HiSPi}	HiSPi PHY Current Consumption (Notes 1, 2, 3)	–	–	n × 45	mA
T _J	Operating Temperature (Note 4)	–30	–	70	°C

1. Where 'n' is the number of PHYs.
2. Temperature of 25°C.
3. Up to 700 Mbps.
4. Specification values may be exceeded when outside this temperature range.

Table 19. SLVS ELECTRICAL DC SPECIFICATION (T_J = 25°C)

Symbol	Parameter	Min	Typ	Max	Unit
V _{CM}	SLVS DC Mean Common Mode Voltage	0.45 * V _{DD_TX}	0.5 * V _{DD_TX}	0.55 * V _{DD_TX}	V
V _{OD}	SLVS DC Mean Differential Output Voltage	0.36 * V _{DD_TX}	0.5 * V _{DD_TX}	0.64 * V _{DD_TX}	V
ΔV _{CM}	Change in V _{CM} between Logic 1 and 0	–	–	25	mV
V _{OD}	Change in V _{OD} between Logic 1 and 0	–	–	25	mV
NM	V _{OD} Noise Margin	–	–	±30	%
ΔV _{CM}	Difference in V _{CM} between any Two Channels	–	–	50	mV
ΔV _{OD}	Difference in V _{OD} between any Two Channels	–	–	100	mV
V _{CM_AC}	Common-mode AC Voltage (pk) without VCM Cap Termination	–	–	50	mV
V _{CM_AC}	Common-mode AC Voltage (pk) with VCM Cap Termination	–	–	30	mV
V _{OD_AC}	Maximum Overshoot Peak V _{OD}	–	–	1.3 * V _{OD}	V
V _{Diff_pk-pk}	Maximum Overshoot V _{Diff_pk-pk}	–	–	2.6 * V _{OD}	V
R _O	Single-ended Output Impedance	35	50	70	Ω
ΔR _O	Output Impedance Mismatch	–	–	20	%

Table 20. SLVS ELECTRICAL TIMING SPECIFICATION

Symbol	Parameter	Min	Max	Unit
1/UI	Data Rate (Note 1)	280	700	Mbps
t _{PW}	Bitrate Period (Note 1)	1.43	3.57	ns
t _{PRE}	Max Setup Time from Transmitter (Notes 1, 2)	0.3	–	UI
t _{POST}	Max Hold Time from Transmitter (Notes 1, 2)	0.3	–	UI
t _{EYE}	Eye Width (Notes 1, 2)	–	0.6	UI
t _{TOTALJIT}	Data Total Jitter (pk-pk) @1e-9 (Notes 1, 2)	–	0.2	UI
t _{CKJIT}	Clock Period Jitter (RMS) (Note 2)	–	50	ps
t _{CYCJIT}	Clock Cycle-to-Cycle Jitter (RMS) (Note 2)	–	100	ps
t _R	Rise Time (20–80%) (Note 3)	150 ps	0.25	UI
t _F	Fall Time (20–80%) (Note 3)	150 ps	0.25	UI
DCYC	Clock Duty Cycle (Note 2)	45	55	%
t _{CHSKEW}	Mean Clock to Data Skew (Notes 1, 4)	–0.1	0.1	UI
t _{PHYSKEW}	PHY-to-PHY Skew (Notes 1, 5)	–	2.1	UI
t _{DIFFSKEW}	Mean Differential Skew (Note 6)	–100	100	ps

- One UI is defined as the normalized mean time between one edge and the following edge of the clock.
- Taken from the 0 V crossing point with the DLL off.
- Also defined with a maximum loading capacitance of 10 pF on any pin. The loading capacitance may also need to be less for higher bitrates so the rise and fall times do not exceed the maximum 0.3 UI.
- The absolute mean skew between the Clock lane and any Data Lane in the same PHY between any edges.
- The absolute skew between any Clock in one PHY and any Data lane in any other PHY between any edges.
- Differential skew is defined as the skew between complementary outputs. It is measured as the absolute time between the two complementary edges at mean VCM point. Note that differential skew also is related to the ΔVCM_AC spec which also must not be exceeded.

HiVCM Electrical Specifications

The HiSPi 2.0 specification also defines an alternative signaling level mode called HiVCM. Both V_{OD} and V_{CM} are

still scalable with $V_{DD_HiSPi_TX}$, but with $V_{DD_HiSPi_TX}$ nominal set to 1.8 V the common-mode is elevated to around 0.9 V.

Table 21. HiVCM POWER SUPPLY AND OPERATING TEMPERATURES

Symbol	Parameter	Min	Typ	Max	Unit
I _{DD_HiSPi_TX}	HiVCM Current Consumption (Notes 1, 2)	–	–	n * 34	mA
I _{DD_HiSPi}	HiSPi PHY Current Consumption (Notes 1, 2, 3)	–	–	n * 45	mA
T _J	Operating Temperature (Note 4)	–30	–	70	°C

- Where 'n' is the number of PHYs.
- Temperature of 25°C.
- Up to 700 Mbps.
- Specification values may be exceeded when outside this temperature range.

AR0330CM

Table 22. HiVCM ELECTRICAL VOLTAGE AND IMPEDANCE SPECIFICATION ($T_J = 25^\circ\text{C}$)

Symbol	Parameter	Min	Typ	Max	Unit
V_{CM}	HiVCM DC Mean Common Mode Voltage	0.76	0.90	1.07	V
$ V_{OD} $	HiVCM DC Mean Differential Output Voltage	200	280	350	mV
ΔV_{CM}	Change in V_{CM} between Logic 1 and 0	–	–	25	mV
$ V_{OD} $	Change in $ V_{OD} $ between Logic 1 and 0	–	–	25	mV
NM	V_{OD} Noise Margin	–	–	± 30	%
$ \Delta V_{CM} $	Difference in V_{CM} between any Two Channels	–	–	50	mV
$ \Delta V_{OD} $	Difference in V_{OD} between any Two Channels	–	–	100	mV
ΔV_{CM_AC}	Common-mode AC Voltage (pk) without V_{CM} Cap Termination	–	–	50	mV
ΔV_{CM_AC}	Common-mode AC Voltage (pk) with V_{CM} Cap Termination	–	–	30	mV
V_{OD_AC}	Maximum Overshoot Peak $ V_{OD} $	–	–	$1.3 * V_{OD} $	V
V_{Diff_pk-pk}	Maximum Overshoot V_{Diff} pk-pk	–	–	$2.6 * V_{OD}$	V
R_O	Single-ended Output Impedance	40	70	100	Ω
ΔR_O	Output Impedance Mismatch	–	–	20	%

Table 23. HiVCM ELECTRICAL AC SPECIFICATION

Symbol	Parameter	Min	Max	Unit
1/UI	Data Rate (Note 1)	280	700	Mbps
t_{PW}	Bitrate Period (Note 1)	1.43	3.57	ns
t_{PRE}	Max Setup Time from Transmitter (Notes 1, 2)	0.3	–	UI
t_{POST}	Max Hold Time from Transmitter (Notes 1, 2)	0.3	–	UI
t_{EYE}	Eye Width (Notes 1, 2)	–	0.6	UI
$t_{TOTALJIT}$	Data Total Jitter (pk-pk) @1e-9 (Notes 1, 2)	–	0.2	UI
t_{CKJIT}	Clock Period Jitter (RMS) (Note 2)	–	50	ps
t_{CYCJIT}	Clock Cycle-to-Cycle Jitter (RMS) (Note 2)	–	100	ps
t_R	Rise Time (20–80%) (Note 3)	150 ps	0.3	UI
t_F	Fall Time (20–80%) (Note 3)	150 ps	0.3	UI
D_{CYC}	Clock Duty Cycle (Note 2)	45	55	%
t_{CHSKEW}	Clock to Data Skew (Notes 1, 4)	–0.1	0.1	UI
$t_{PHYSKEW}$	PHY-to-PHY Skew (Notes 1, 5)	–	2.1	UI
$t_{DIFFSKEW}$	Mean Differential Skew (Note 6)	–100	100	ps

1. One UI is defined as the normalized mean time between one edge and the following edge of the clock.
2. Taken from the 0 V crossing point with the DLL off.
3. Also defined with a maximum loading capacitance of 10 pF on any pin. The loading capacitance may also need to be less for higher bitrates so the rise and fall times do not exceed the maximum 0.3 UI.
4. The absolute mean skew between the Clock lane and any Data Lane in the same PHY between any edges.
5. The absolute mean skew between any Clock in one PHY and any Data lane in any other PHY between any edges.
6. Differential skew is defined as the skew between complementary outputs. It is measured as the absolute time between the two complementary edges at mean V_{CM} point. Note that differential skew also is related to the ΔV_{CM_AC} spec which also must not be exceeded.

AR0330CM

Electrical Definitions

Figure 10 is the diagram defining differential amplitude V_{OD} , V_{CM} , and rise and fall times. To measure V_{OD} and

V_{CM} use the DC test circuit shown in Figure 11 and set the HiSPi PHY to constant Logic 1 and Logic 0. Measure V_{oa} , V_{ob} and V_{CM} with voltmeters for both Logic 1 and Logic 0.

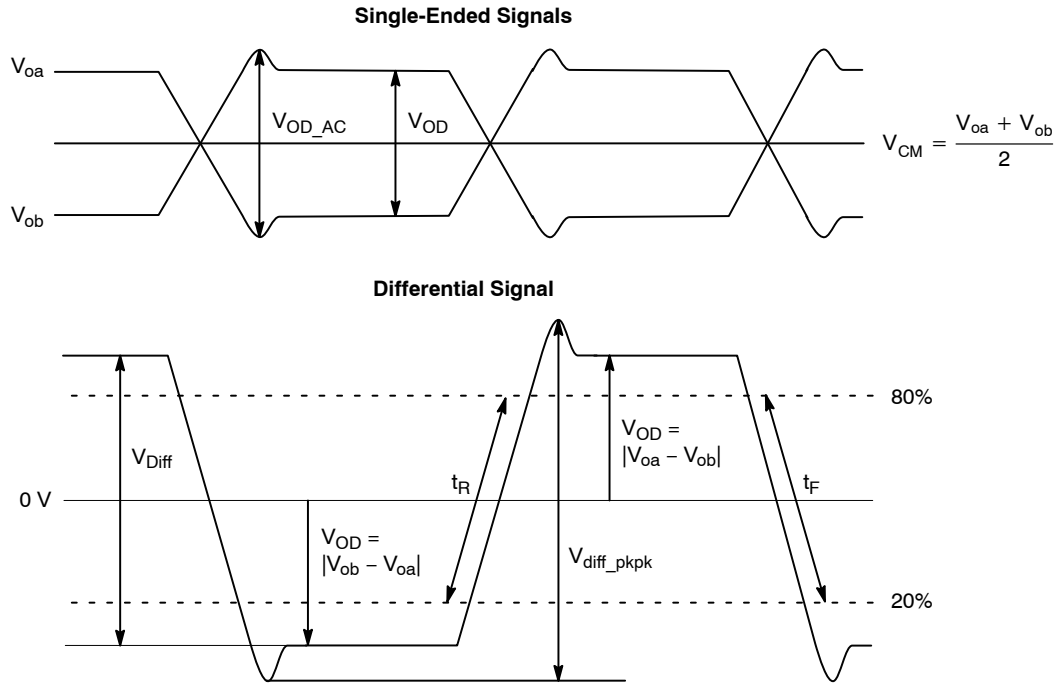


Figure 10. Single-Ended and Differential Signals

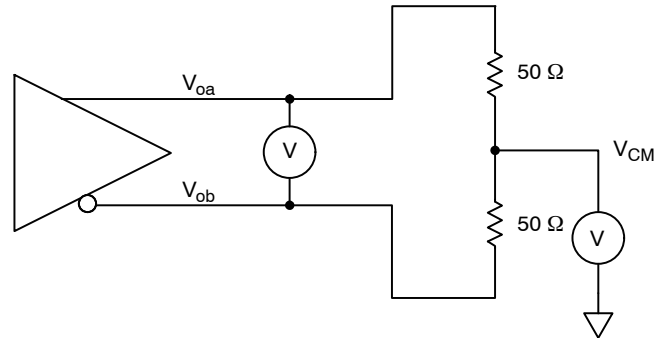


Figure 11. DC Test Circuit

$$V_{OD(m)} = |V_{oa(m)} - V_{ob(m)}| \quad (\text{eq. 1})$$

Where m is either “1” for logic 1 or “0” for logic 0.

$$V_{OD} = \frac{V_{OD(1)} + V_{OD(0)}}{2} \quad (\text{eq. 2})$$

$$V_{Diff} = V_{OD(1)} + V_{OD(0)} \quad (\text{eq. 3})$$

$$\Delta V_{OD} = |V_{OD(1)} - V_{OD(0)}| \quad (\text{eq. 4})$$

$$V_{CM} = \frac{V_{CM(1)} + V_{CM(0)}}{2} \quad (\text{eq. 5})$$

$$\Delta V_{CM} = |V_{CM(1)} - V_{CM(0)}| \quad (\text{eq. 6})$$

Both V_{OD} and V_{CM} are measured for all output channels. The worst case ΔV_{OD} is defined as the largest difference in V_{OD} between all channels regardless of logic level. And the worst case ΔV_{CM} is similarly defined as the largest difference in V_{CM} between all channels regardless of logic level.

Timing Definitions

1. Timing measurements are to be taken using the Square Wave test mode.
2. Rise and fall times are measured between 20% to 80% positions on the differential waveform, as shown in Figure 10.
3. Mean Clock-to-Data skew should be measured from the 0 V crossing point on Clock to the 0 V crossing point on any Data channel regardless of

edge, as shown in Figure 12. This time is compared with the ideal Data transition point of 0.5 UI with the difference being the Clock-to-Data Skew (see Equation 7).

$$t_{\text{CHSKEW}}(\text{ps}) = \Delta t - \frac{t_{\text{pw}}}{2} \quad (\text{eq. 7})$$

$$t_{\text{CHSKEW}}(\text{UI}) = \frac{\Delta t}{t_{\text{pw}}} - 0.5 \quad (\text{eq. 8})$$

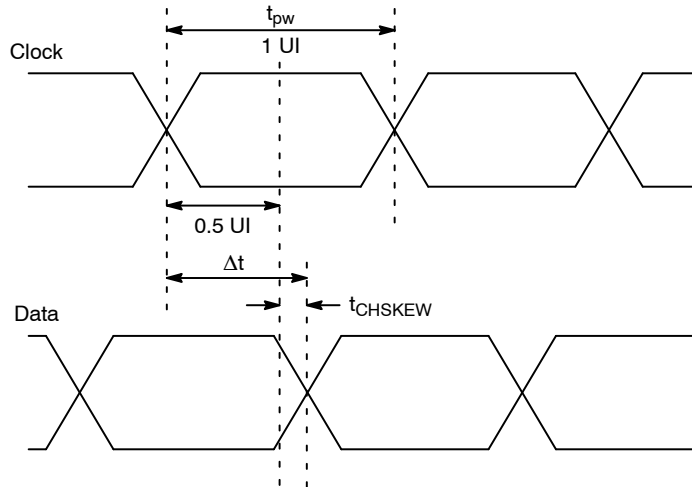


Figure 12. Clock-to-Data Skew Timing Diagram

4. The differential skew is measured on the two single-ended signals for any channel. The time is taken from a transition on V_{Oa} signal to

corresponding transition on V_{Ob} signal at V_{CM} crossing point.

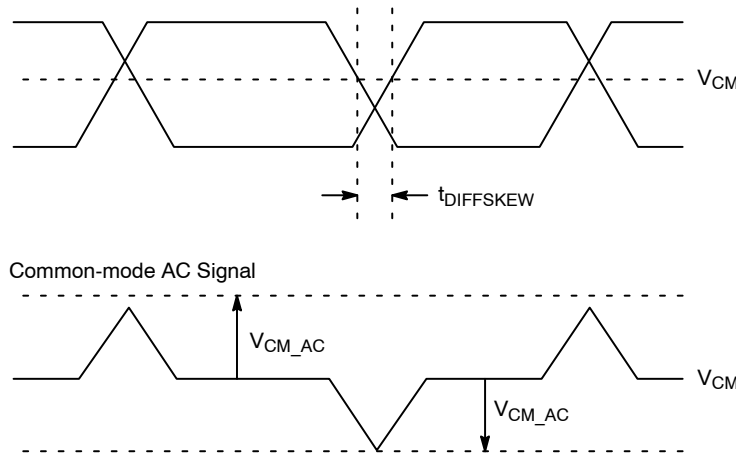


Figure 13. Differential Skew

Figure 13 also shows the corresponding AC V_{CM} common-mode signal. Differential skew between the V_{Oa} and V_{Ob} signals can cause spikes in the common-mode,

which the receiver needs to be able to reject. $V_{\text{CM_AC}}$ is measured as the absolute peak deviation from the mean DC V_{CM} common-mode.

Transmitter Eye Mask

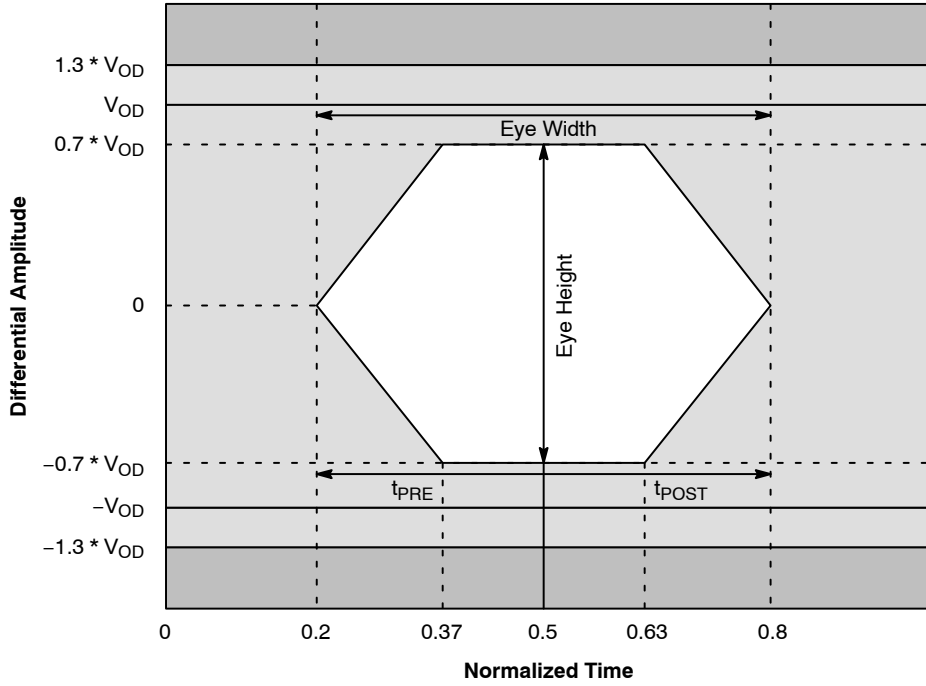


Figure 14. Transmitter Eye Mask

Figure 14 defines the *eye mask* for the transmitter. 0.5 UI point is the instantaneous crossing point of the Clock. The area in white shows the area Data is prohibited from crossing into. The *eye mask* also defines the minimum eye height, the data t_{PRE} and t_{POST} times, and the *total jitter pk-pk + mean skew* (t_{TJSKEW}) for Data.

Clock Signal

t_{HCLK} is defined as the high clock period, and t_{LCLK} is defined as the low clock period as shown in Figure 15. The clock duty cycle D_{CYC} is defined as the percentage time the clock is either high (t_{HCLK}) or low (t_{LCLK}) compared with the clock period T.

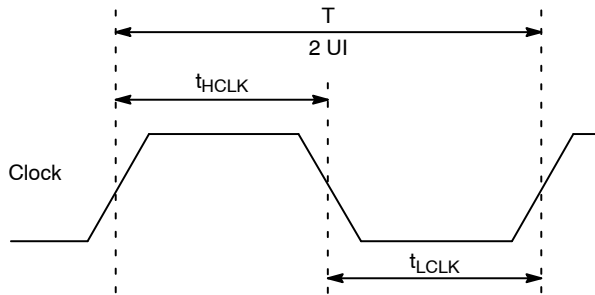


Figure 15. Clock Duty Cycle

$$D_{CYC}(1) = \frac{t_{HCLK}}{T} \quad (\text{eq. 9})$$

$$D_{CYC}(0) = \frac{t_{LCLK}}{T} \quad (\text{eq. 10})$$

$$t_{pw} = \frac{T}{2} \quad (\text{i.e., } 1 \text{ UI}) \quad (\text{eq. 11})$$

$$\text{Bitrate} = \frac{1}{t_{pw}} \quad (\text{eq. 12})$$

Figure 16 shows the definition of clock jitter for both the period and the cycle-to-cycle jitter.

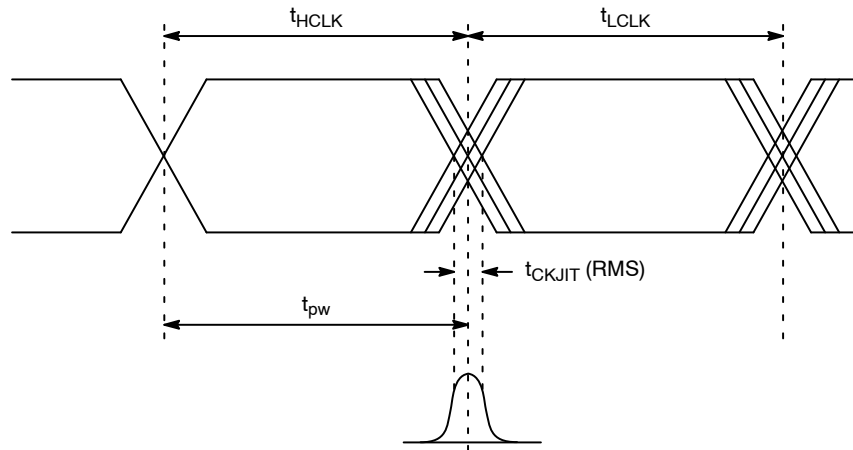


Figure 16. Clock Jitter

Period Jitter (t_{CKJIT}) is defined as the deviation of the instantaneous clock t_{pw} from an ideal 1 UI. This should be measured for both the clock high period variation Δt_{HCLK} , and the clock low period variation Δt_{LCLK} taking the RMS or 1-sigma standard deviation and quoting the worse case jitter between Δt_{HCLK} and Δt_{LCLK} .

Cycle-to-cycle jitter (t_{CYCJIT}) is defined as the difference in time between consecutive clock high and clock low periods t_{HCLK} and t_{LCLK} , quoting the RMS value of the variation $\Delta(t_{HCLK} - t_{LCLK})$.

If pk-pk jitter is also measured, this should be limited to ± 3 -sigma.

Table 24. HiVCM ELECTRICAL AC SPECIFICATION

Symbol	Parameter	Min	Max	Unit
1/UI	Data Rate (Note 1)	280	700	Mbps
t_{pw}	Bitrate Period (Note 1)	1.43	3.57	ns
t_{PRE}	Max Setup Time from Transmitter (Notes 1, 2)	0.3	-	UI
t_{POST}	Max Hold Time from Transmitter (Notes 1, 2)	0.3	-	UI
t_{EYE}	Eye Width (Notes 1, 2)	-	0.6	UI
$t_{TOTALJIT}$	Data Total Jitter (pk-pk) @1e-9 (Notes 1, 2)	-	0.2	UI
t_{CKJIT}	Clock Period Jitter (RMS) (Note 2)	-	50	ps
t_{CYCJIT}	Clock Cycle-to-Cycle Jitter (RMS) (Note 2)	-	100	ps
t_R	Rise Time (20-80%) (Note 3)	150 ps	0.3	UI
t_F	Fall Time (20-80%) (Note 3)	150 ps	0.3	UI
D_{CYC}	Clock Duty Cycle (Note 2)	45	55	%
t_{CHSKEW}	Clock to Data Skew (Notes 1, 4)	-0.1	0.1	UI
$t_{PHYSKEW}$	PHY-to-PHY Skew (Notes 1, 5)	-	2.1	UI
$t_{DIFFSKEW}$	Mean Differential Skew (Note 6)	-100	100	ps

- One UI is defined as the normalized mean time between one edge and the following edge of the clock.
- Taken from the 0 V crossing point with the DLL off.
- Also defined with a maximum loading capacitance of 10 pF on any pin. The loading capacitance may also need to be less for higher bitrates so the rise and fall times do not exceed the maximum 0.3 UI.
- The absolute mean skew between the Clock lane and any Data Lane in the same PHY between any edges.
- The absolute mean skew between any Clock in one PHY and any Data lane in any other PHY between any edges.
- Differential skew is defined as the skew between complementary outputs. It is measured as the absolute time between the two complementary edges at mean V_{CM} point. Note that differential skew also is related to the ΔV_{CM_AC} spec which also must not be exceeded.

SEQUENCER

The sequencer digital block determines the order and timing of operations required to sample pixel data from the array during each row period. It is controlled by an instruction set that is programmed into RAM from the sensor OTPM (One Time Programmable Memory). The OTPM is configured during production.

The instruction set determines the length of the sequencer operation that determines the “ADC Readout Limitation” (Equation 5) listed in the Sensor Frame Rate section. The instruction set can be shortened through register writes in order to achieve faster frame rates. Instructions for shortening the sequencer can be found in the AR0330 Developer Guide.

The sequencer digital block can be reprogrammed using the following instructions:

Program a new sequencer.

1. Place the sensor in standby.
2. Write 0x8000 to R0x3088 (“seq_ctrl_port”).
3. Write each instruction incrementally to R0x3086. Each write must be 16-bit consisting of two bytes {Byte[N], Byte[N+1]}.
4. If the sequencer consists of an odd number of bytes, set the last byte to “0”.

Read the instructions stored in the sequencer.

1. Place the sensor in standby.
2. Write 0xC000 to R0x3088 (“seq_ctrl_port”).
3. Sequentially read one byte at a time from R0x3086 with 8-bit read command.

SENSOR PLL

VCO

The sensor contains a phase-locked loop (PLL) that is used for timing generation and control. The required VCO clock frequency is attained through the use of a pre-PLL clock divider followed by a multiplier (see Figure 17). The multiplier is followed by set of dividers used to generate the output clocks required for the sensor array, the pixel analog and digital readout paths, and the output parallel and serial interfaces.

Dual Readout Paths

There are two readout paths within the sensor digital block (see Figure 18).

The sensor row timing calculations refers to each data-path individually. For example, the sensor default configuration uses 1248 clocks per row (line_length_pck) to output 2304 active pixels per row. The aggregate clocks per row seen by the receiver will be 2496 clocks (1248 × 2 readout paths).

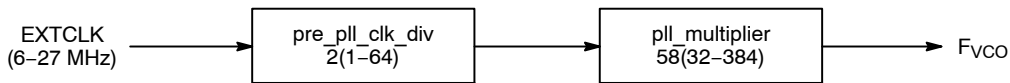


Figure 17. Relationship between Readout Clock and Peak Pixel Rate

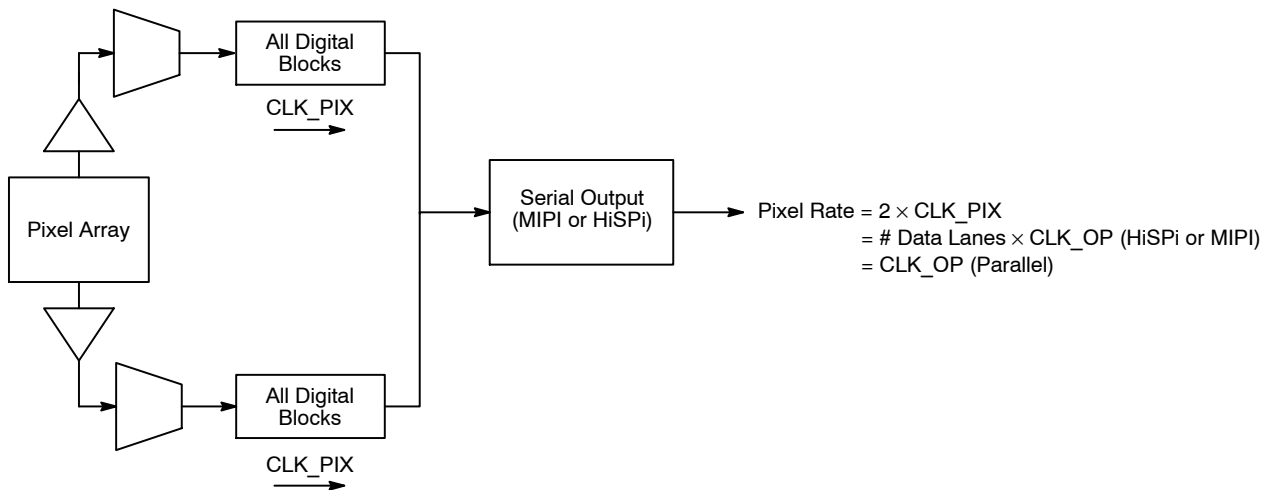


Figure 18. Sensor Dual Readout Paths

Parallel PLL Configuration

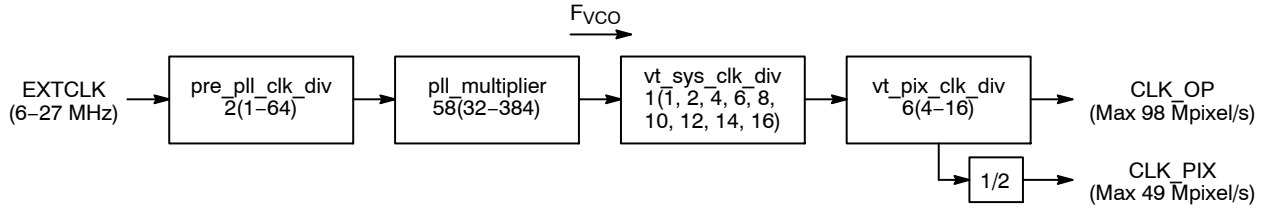


Figure 19. PLL for the Parallel Interface

(The parallel interface has a maximum output data-rate of 98 Mpixel/s)

The maximum output of the parallel interface is 98 Mpixel/s (CLK_OP). This will limit the readout clock (CLK_PIX) to 49 Mpixel/s. The sensor will not use the

F_{SERIAL}, F_{SERIAL_CLK}, or CLK_OP when configured to use the parallel interface.

Table 25. PLL PARAMETERS FOR THE PARALLEL INTERFACE

Symbol	Parameter	Min	Max	Unit
EXTCLK	External Clock	6	27	MHz
F _{vco}	VCO Clock	384	768	MHz
CLK_PIX	Readout Clock		49	Mpixel/s
CLK_OP	Output Clock		98	Mpixel/s

Table 26. EXAMPLE PLL CONFIGURATION FOR THE PARALLEL INTERFACE

Parameter	Value	Output
F _{vco}		588 MHz (Max)
vt_sys_clk_div	1	
vt_pix_clk_div	6	
CLK_PIX		49 Mpixel/s (= 588 MHz/12)
CLK_OP		98 Mpixel/s (= 588 MHz/6)
Output Pixel Rate		98 Mpixel/s

Serial PLL Configuration

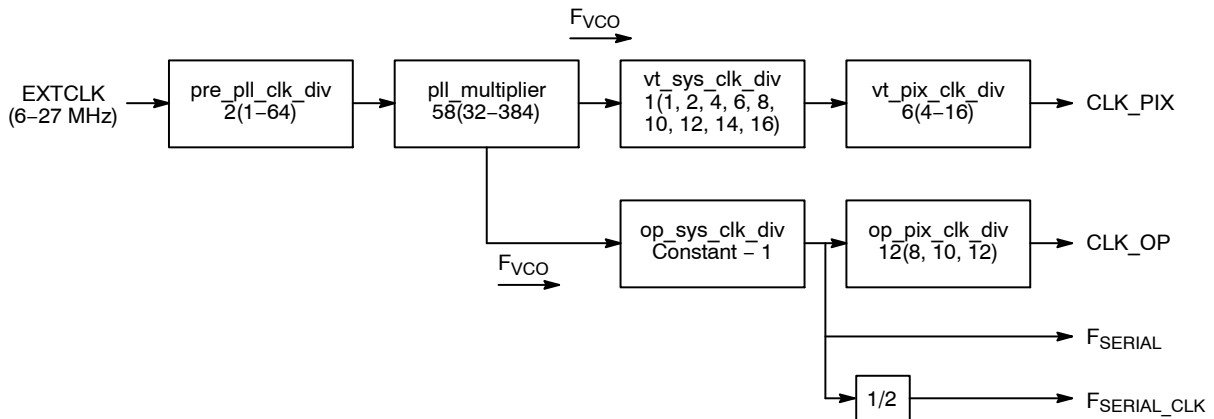


Figure 20. PLL for the Serial Interface

The sensor will use op_sys_clk_div and op_pix_clk_div to configure the output clock per lane (CLK_OP). The configuration will depend on the number of active lanes

(1, 2, or 4) configured. To configure the sensor protocol and number of lanes, refer to “Serial Configuration”.

AR0330CM

Table 27. PLL PARAMETERS FOR THE SERIAL INTERFACE

Symbol	Parameter	Min	Max	Unit
EXTCLK	External Clock	6	27	MHz
F _{VCO}	VCO Clock	384	768	MHz
CLK_PIX	Readout Clock	–	98	Mpixel/s
CLK_OP	Output Clock	–	98	Mpixel/s
F _{SERIAL}	Output Serial Data Rate Per Lane HiSPi MIPI	300 384	700 768	Mbps
F _{SERIAL_CLK}	Output Serial Clock Speed Per Lane HiSPi MIPI	150 192	350 384	MHz

The serial output should be configured so that it adheres to the following rules:

- The maximum data-rate per lane (F_{SERIAL}) is 768 Mbps/lane (MIPI) and 700 Mbps/lane (HiSPi).
- The output pixel rate per lane (CLK_OP) should be configured so that the sensor output pixel rate matches the peak pixel rate (2 × CLK_PIX):
 - ♦ 4-lane: 4 × CLK_OP = 2 × CLK_PIX = Pixel Rate (max: 196 Mpixel/s)
 - ♦ 2-lane: 2 × CLK_OP = 2 × CLK_PIX = Pixel Rate (max: 98 Mpixel/s)
 - ♦ 1-lane: 1 × CLK_OP = 2 × CLK_PIX = Pixel Rate (max: 76 Mpixel/s)

Table 28. EXAMPLE PLL CONFIGURATIONS FOR THE SERIAL INTERFACE

Parameter	4-lane		2-lane		1-lane			Unit
	12-bit	10-bit	12-bit	10-bit	12-bit	10-bit	8-bit	
F _{VCO}	588	490	588	490	768	768	768	MHz
vt_sys_clk_div	1	1	2	2	4	4	4	
vt_pix_clk_div	6	5	6	5	6	5	4	
op_sys_clk_div	1	1	1	1	1	1	1	
op_pix_clk_div	12	10	12	10	12	10	8	
F _{SERIAL}	588	490	588	490	768	768	768	MHz
F _{SERIAL_CLK}	294	245	294	245	384	384	384	MHz
CLK_PIX	98	98	49	49	32	38.4	48	Mpixel/s
CLK_OP	49	49	49	49	64	76.8	96	Mpixel/s
Pixel Rate	196	196	98	98	64	76.8	96	Mpixel/s

PIXEL OUTPUT INTERFACES

Parallel Interface

The parallel pixel data interface uses these output-only signals:

- FV
- LV
- PIXCLK
- D_{OUT}[11:0]

The parallel pixel data interface is disabled by default at power up and after reset. It can be enabled by programming R0x301A. Table 29 shows the recommended settings.

When the parallel pixel data interface is in use, the serial data output signals can be left unconnected. Set `reset_register[12]` to disable the serializer while in parallel output mode.

Output Enable Control

When the parallel pixel data interface is enabled, its signals can be switched asynchronously between the driven and High-Z under pin or register control, as shown in Table 29. OE_BAR pin is only available on the bare die version.

Table 29. OUTPUT ENABLE CONTROL

OE_BAR Pin	Drive Signals R0x301A-B[6]	Description
Disabled	0	Interface High-Z
Disabled	1	Interface Driven
1	0	Interface High-Z
X	1	Interface Driven
0	X	Interface Driven

Configuration of the Pixel Data Interface

Fields in R0x301A are used to configure the operation of the pixel data interface. The supported combinations are shown in Table 30.

Table 30. CONFIGURATION OF THE PIXEL DATA INTERFACE

Serializer Disable R0x301A-B[12]	Parallel Enable R0x301A-B[7]	Standby End-of-Frame R0x301A-B[7]	Description
0	0	1	Power up default. Serial pixel data interface and its clocks are enabled. Transitions to soft standby are synchronized to the end of frames on the serial pixel data interface.
1	1	0	Parallel pixel data interface, sensor core data output. Serial pixel data interface and its clocks disabled to save power. Transitions to soft standby are synchronized to the end of the current row readout on the parallel pixel data interface.
1	1	1	Parallel pixel data interface, sensor core data output. Serial pixel data interface and its clocks disabled to save power. Transitions to soft standby are synchronized to the end of frames in the parallel pixel data interface.

High Speed Serial Pixel Data Interface

The High Speed Serial Pixel (HiSPi) interface uses four data and one clock low voltage differential signaling (LVDS) outputs.

- SLVSC_P
- SLVSC_N
- SLVS0_P
- SLVS0_N
- SLVS1_P
- SLVS1_N
- SLVS2_P
- SLVS2_N
- SLVS3_P
- SLVS3_N

The HiSPi interface supports three protocols, Streaming S, Streaming SP, and Packetized SP. The streaming protocols conform to a standard video application where each line of active or intra-frame blanking provided by the sensor is transmitted at the same length. The Packetized SP protocol will transmit only the active data ignoring line-to-line and frame-to-frame blanking data.

These protocols are further described in the High-Speed Serial Pixel (HiSPi) Interface Protocol Specification V1.00.00.

The HiSPi interface building block is a unidirectional differential serial interface with four data and one double data rate (DDR) clock lanes. One clock for every four serial data lanes is provided for phase alignment across multiple lanes. Figure 21 shows the configuration between the HiSPi transmitter and the receiver.

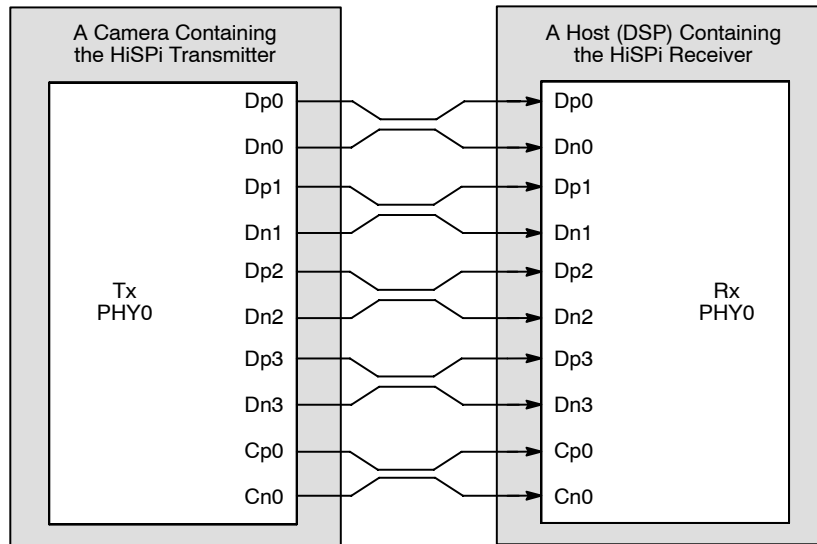


Figure 21. HiSPi Transmitter and Receiver Interface Block Diagram

HiSPi Physical Layer

The HiSPi physical layer is partitioned into blocks of four data lanes and an associated clock lane. Any reference to the PHY in the remainder of this document is referring to this minimum building block.

The PHY will serialize a 10-, 12-, 14- or 16-bit data word and transmit each bit of data centered on a rising edge of the clock, the second on the falling edge of clock. Figure 22 shows bit transmission. In this example, the word is transmitted in order of MSB to LSB. The receiver latches data at the rising and falling edge of the clock.

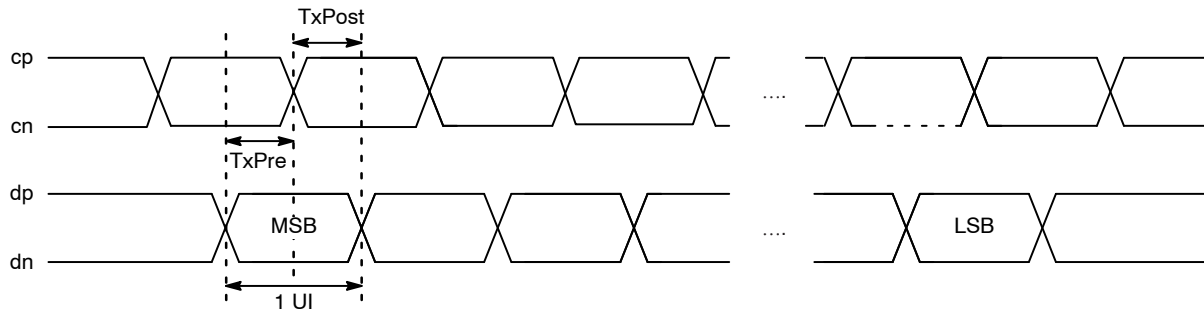


Figure 22. Timing Diagram

DLL Timing Adjustment

The specification includes a DLL to compensate for differences in group delay for each data lane. The DLL is connected to the clock lane and each data lane, which acts as a control master for the output delay buffers. Once the DLL has gained phase lock, each lane can be delayed in 1/8 unit interval (UI) steps. This additional delay allows the user to

increase the setup or hold time at the receiver circuits and can be used to compensate for skew introduced in PCB design.

If the DLL timing adjustment is not required, the data and clock lane delay settings should be set to a default code of 0x000 to reduce jitter, skew, and power dissipation.

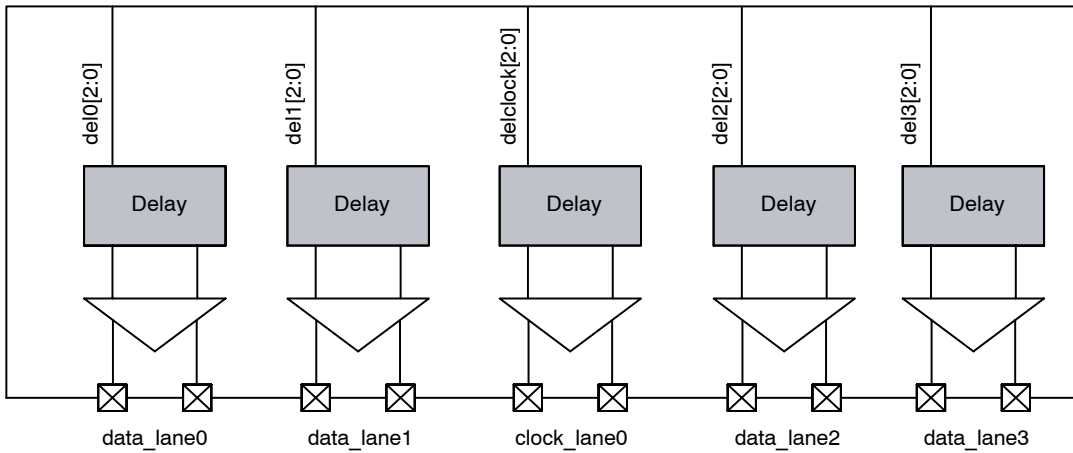


Figure 23. Block Diagram of DLL Timing Adjustment

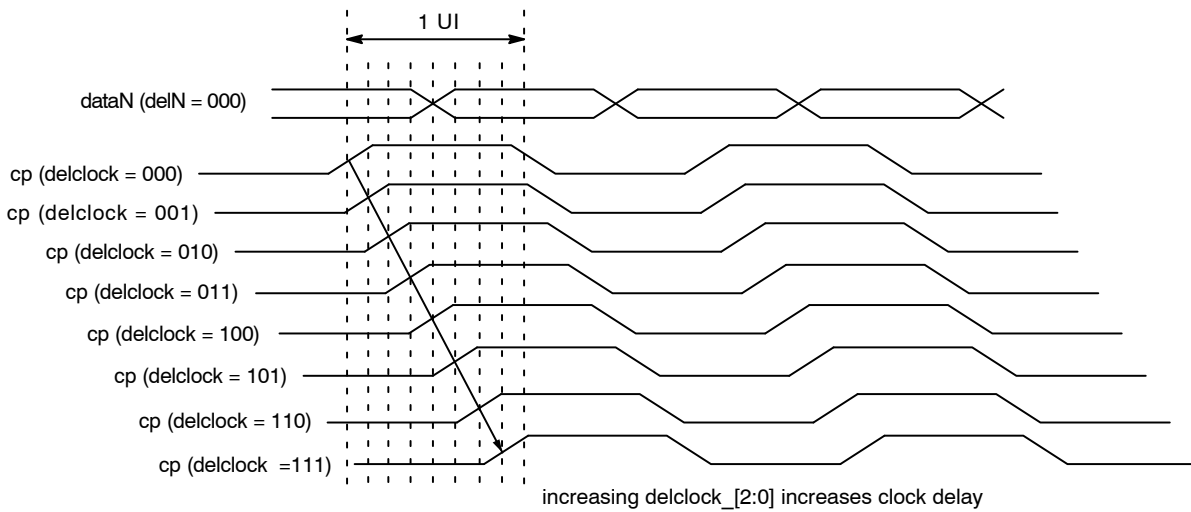


Figure 24. Delaying the Clock_lane with Respect to the Data_lane

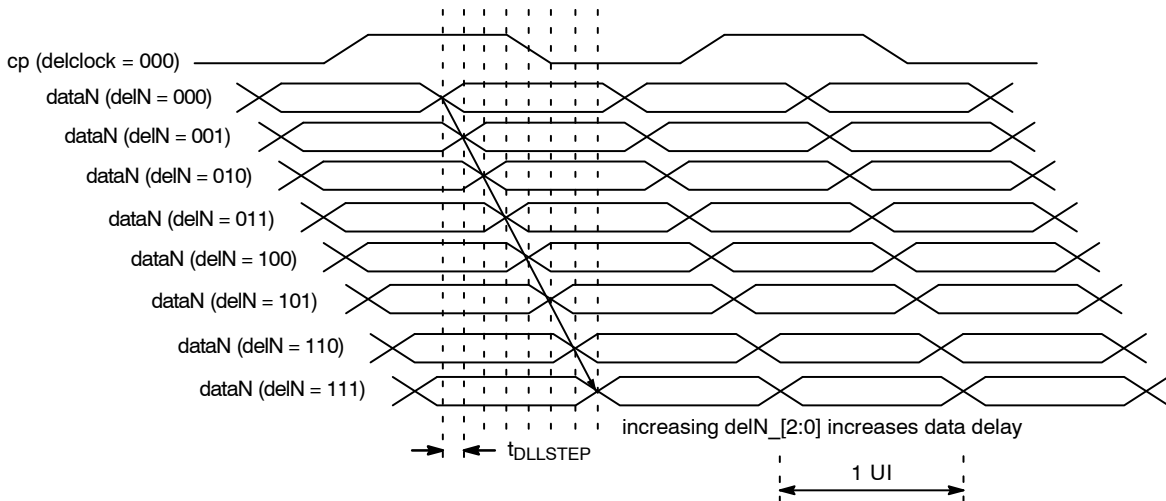


Figure 25. Delaying the Data_lane with Respect to the Clock_lane

AR0330CM

HiSPi Streaming Mode Protocol Layer

The HiSPi protocol is described HiSPi Protocol V1.00.00 A.

MIPI Interface

The serial pixel data interface uses the following output-only signal pairs:

- DATA1_P
- DATA1_N
- DATA2_P
- DATA2_N
- DATA3_P
- DATA3_N
- DATA4_P
- DATA4_N
- CLK_P
- CLK_N

The signal pairs use both single-ended and differential signaling, in accordance with the the MIPI Alliance Specification for D-PHY v1.00.00. The serial pixel data interface is enabled by default at power up and after reset.

The DATA0_P, DATA0_N, DATA1_P, DATA1_N, CLK_P and CLK_N pads are set to the Ultra Low Power State (ULPS) if the serial disable bit is asserted (R0x301A-B[12] = 1) or when the sensor is in the hardware standby or soft standby system states.

When the serial pixel data interface is used, the LINE_VALID, FRAME_VALID, PIXCLK and DOUT[11:0] signals (if present) can be left unconnected.

Serial Configuration

The serial format should be configured using R0x31AC. This register should be programmed to 0x0C0C when using the parallel interface.

The R0x0112-3 register can be programmed to any of the following data format settings that are supported:

- 0x0C0C – Sensor supports RAW12 uncompressed data format
- 0x0C0A – The sensor supports RAW12 compressed format (10-bit words) using 12-10 bit A-LAW Compression. See “Compression” section
- 0x0A0A – Sensor supports RAW10 uncompressed data format. This mode is supported by discarding all but the upper 10 bits of a pixel value
- 0x0808 – Sensor supports RAW8 uncompressed data format. This mode is supported by discarding all but the upper 8 bits of a pixel value (MIPI only).

The serial_format register (R0x31AE) register controls which serial interface is in use when the serial interface is enabled (reset_register[12] = 0). The following serial formats are supported:

- 0x0201 – Sensor supports single-lane MIPI operation
- 0x0202 – Sensor supports dual-lane MIPI operation
- 0x0204 – Sensor supports quad-lane MIPI operation
- 0x0304 – Sensor supports quad-lane HiSPi operation

The MIPI timing registers must be configured differently for 10-bit or 12-bit modes. These modes should be configured when the sensor streaming is disabled. See Table 31.

Table 31. RECOMMENDED MIPI TIMING CONFIGURATION

Register	Configuration		Description
	10-bit, 490 Mbps/Lane	12-bit, 588 Mbps/Lane	
	Clocking: Continuous		
0x31B0	40	36	Frame Preamble
0x31B2	14	12	Line Preamble
0x31B4	0x2743	0x2643	MIPI Timing 0
0x31B6	0x114E	0x114E	MIPI Timing 1
0x31B8	0x2049	0x2048	MIPI Timing 2
0x31BA	0x0186	0x0186	MIPI Timing 3
0x31BC	0x8005	0x8005	MIPI Timing 4
0x31BE	0x2003	0x2003	MIPI Config Status

PIXEL SENSITIVITY

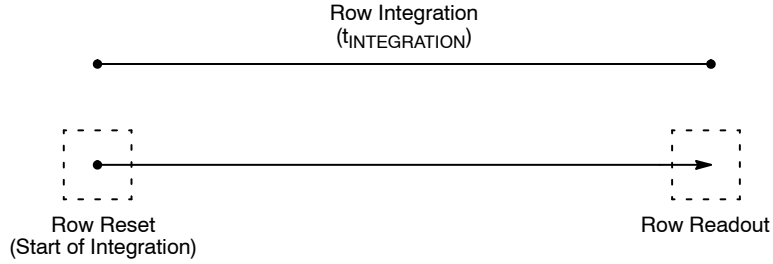


Figure 26. Integration Control in ERS Readout

A pixel’s integration time is defined by the number of clock periods between a row’s reset and read operation. Both the read followed by the reset operations occur within a row period (T_{ROW}) where the read and reset may be applied to different rows. The read and reset operations will be applied to the rows of the pixel array in a consecutive order.

The integration time in an ERS frame is defined as:

$$T_{INTEGRATION} = T_{COARSE} - T_{FINE} \quad (\text{eq. 13})$$

The coarse integration time is defined by the number of row periods (T_{ROW}) between a row’s reset and the row read. The row period is defined as the time between row read operations (see Sensor Frame Rate section).

$$T_{COARSE} = T_{ROW} \times \text{coarse_integration_time} \quad (\text{eq. 14})$$

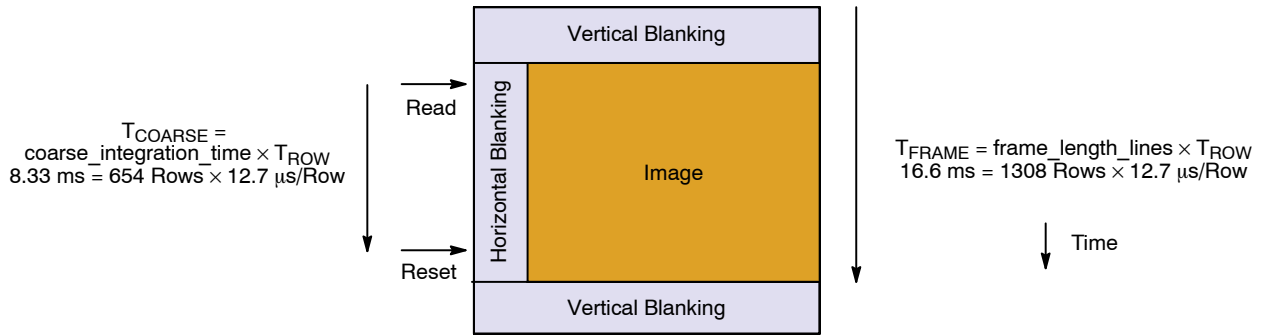


Figure 27. Example of 8.33 ms Integration in 16.6 ms Frame

The fine integration is then defined by the number of pixel clock periods between the row reset and row read operation

within T_{ROW} . This period is defined by the *fine_integration_time* register.

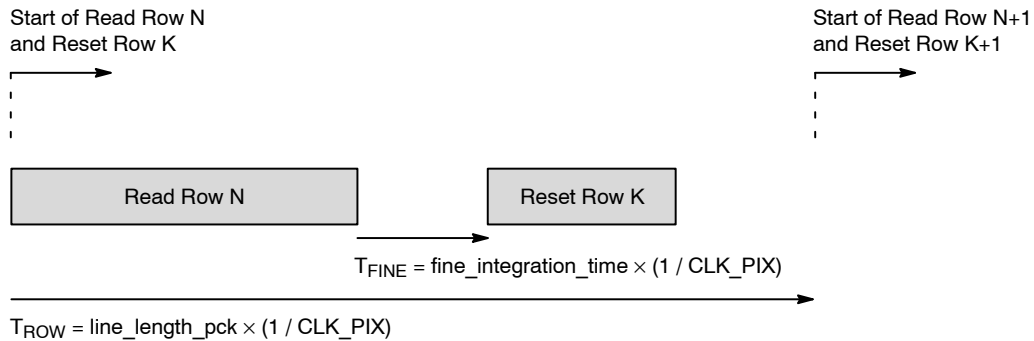


Figure 28. Row Read and Row Reset Showing Fine Integration

$$T_{FINE} = \frac{\text{fine_integration_time}}{\text{clk_pix}} \quad (\text{eq. 15})$$

ON Semiconductor recommends that the *fine_integration_time* in the AR0330 be left at zero.

The maximum allowed value for *fine_integration_time* is $\text{line_length_pck} - 1204$.

AR0330CM

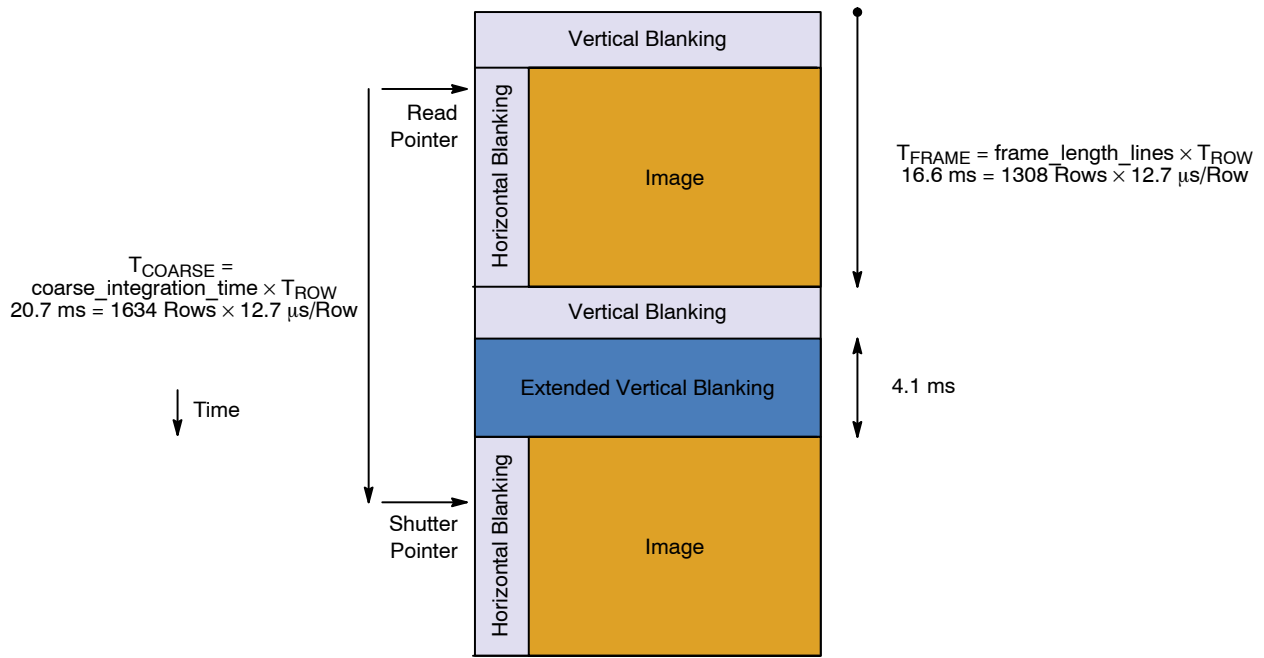


Figure 29. The Row Integration Time is Greater than the Frame Readout Time

The minimum frame-time is defined by the number of row periods per frame and the row period. The sensor frame-time will increase if the *coarse_integration_time* is set to a value

equal to or greater than the *frame_length_lines*. The maximum integration time can be limited to the frame time by setting R0x30CE[5] to 1.

AR0330CM

GAIN STAGES

The analog gain stages of the AR0330 sensor are shown in Figure 30. The sensor analog gain stage consists of column amplifiers and a variable ADC reference. The sensor

will apply the same analog gain to each color channel. Digital gain can be configured to separate levels for each color channel.

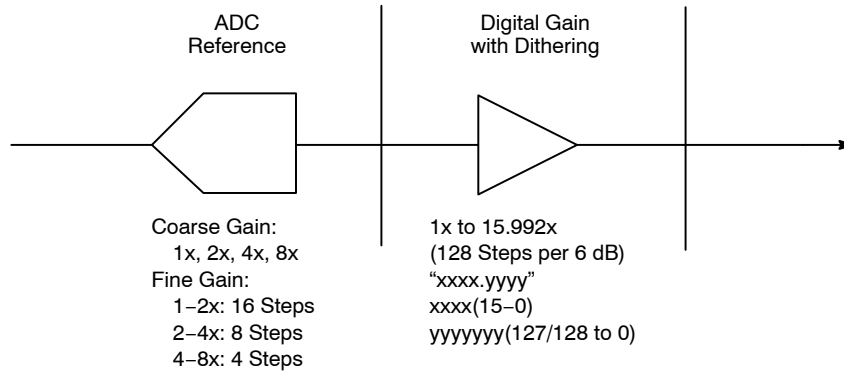


Figure 30. Gain Stages in AR0330 Sensor

The level of analog gain applied is controlled by the `coarse_gain` and `fine_gain` registers. The analog readout can be configured differently for each gain level. The

recommended gain tables are listed in Table 32. It is recommended that these registers are configured before streaming images.

Table 32. RECOMMENDED SENSOR ANALOG GAIN TABLES

COARSE_GAIN		FINE_GAIN		Total Gain		COARSE_GAIN		FINE_GAIN		Total Gain	
R0x3060[5:4]	Gain (x)	R0x3060[3:0]	Gain (x)	(x)	(dB)	R0x3060[5:4]	Gain (x)	R0x3060[3:0]	Gain (x)	(x)	(dB)
0	1	0	1.00	1.00	0.00	0	1x	15	1.88	1.88	5.49
0	1	1	1.03	1.03	0.26	1	2x	0	1.00	2.00	6.00
0	1	2	1.07	1.07	0.56	1	2x	2	1.07	2.13	6.58
0	1	3	1.10	1.10	0.86	1	2x	4	1.14	2.29	7.18
0	1	4	1.14	1.14	1.16	1	2x	6	1.23	2.46	7.82
0	1	5	1.19	1.19	1.46	1	2x	8	1.33	2.67	8.52
0	1	6	1.23	1.23	1.80	1	2x	10	1.45	2.91	9.28
0	1	7	1.28	1.28	2.14	1	2x	12	1.60	3.20	10.10
0	1	8	1.33	1.33	2.50	1	2x	14	1.78	3.56	11.02
0	1	9	1.39	1.39	2.87	2	4x	0	1.00	4.00	12.00
0	1	10	1.45	1.45	3.25	2	4x	4	1.14	4.57	13.20
0	1	11	1.52	1.52	3.66	2	4x	8	1.33	5.33	14.54
0	1	12	1.60	1.60	4.08	2	4x	12	1.60	6.40	16.12
0	1	13	1.68	1.68	4.53	3	8x	0	1.00	8.00	18.00
0	1	14	1.78	1.78	5.00						

Each digital gain can be configured from a gain of 0 to 15.875. The digital gain supports 128 gain steps per 6 dB of gain. The format of each digital gain register is “xxxx.yyyyyy” where “xxxx” refers an integer gain of 1 to 15 and “yyyyyy” is a fractional gain ranging from 0/128 to 127/128.

The sensor includes a digital dithering feature to reduce quantization resulting from using digital gain can be implemented by setting `R0x30BA[5]` to 1. The default value is 0. Refer to “Real-Time Context Switching” for the analog and digital gain registers in both context A and context B modes.

DATA PEDESTAL

The data pedestal is a constant offset that is added to pixel values at the end of datapath. The default offset is 168 and is a 12-bit offset. This offset matches the maximum range used by the corrections in the digital readout path.

The data pedestal value can be changed if the lock register bit (R0x301A[3]) is set to “0”. This bit is set to “1” by default.

SENSOR READOUT

Image Acquisition Modes

The AR0330 supports two image acquisition modes:

- **Electronic Rolling Shutter (ERS) Mode:**
This is the normal mode of operation. When the AR0330 is streaming; it generates frames at a fixed rate, and each frame is integrated (exposed) using the ERS. When the ERS is in use, timing and control logic within the sensor sequences through the rows of the array, resetting and then reading each row in turn. In the time interval between resetting a row and subsequently reading that row, the pixels in the row integrate incident light. The integration (exposure) time is controlled by varying the time between row reset and row readout. For each row in a frame, the time between row reset and row readout is the same, leading to a uniform integration time across the frame. When the integration

time is changed (by using the two-wire serial interface to change register settings), the timing and control logic controls the transition from old to new integration time in such a way that the stream of output frames from the AR0330 switches cleanly from the old integration time to the new while only generating frames with uniform integration. See “Changes to Integration Time” in the AR0330 Register Reference.

- **Global Reset Mode:**
This mode can be used to acquire a single image at the current resolution. In this mode, the end point of the pixel integration time is controlled by an external electromechanical shutter, and the AR0330 provides control signals to interface to that shutter. The benefit of using an external electromechanical shutter is that it eliminates the visual artifacts associated with ERS operation. Visual artifacts arise in ERS operation, particularly at low frame rates, because an ERS image effectively integrates each row of the pixel array at a different point in time.

Window Control

The sequencing of the pixel array is controlled by the `x_addr_start`, `y_addr_start`, `x_addr_end`, and `y_addr_end` registers. The `x_addr_start` equal to 6 is the minimum setting value. The `y_addr_start` equal to 6 is the minimum setting value. Please refer to Table 33 and Table 34 for details.

Table 33. PIXEL COLUMN CONFIGURATION

Column Address	Number	Type	Notes
0–5	6	Active	Border columns
6–2309	2304	Active	Active columns
2310–2315	6	Active	Border columns

Table 34. PIXEL ROW CONFIGURATION

Row Address	Number	Type	Notes
2–5	4	Active	Not used in case of “edge effects”
6–1549	1544	Active	Active rows
1550–1555	6	Active	Not used in case of “edge effects”

Readout Modes

Horizontal Mirror

When the `horizontal_mirror` bit (R0x3040[14]) is set in the `image_orientation` register, the order of pixel readout within a row is reversed, so that readout starts from `x_addr_end + 1` and ends at `x_addr_start`. Figure 31 shows

a sequence of 6 pixels being read out with `R0x3040[14] = 0` and `R0x3040[14] = 1`. Changing `R0x3040[14]` causes the Bayer order of the output image to change; the new Bayer order is reflected in the value of the `pixel_order` register.

AR0330CM

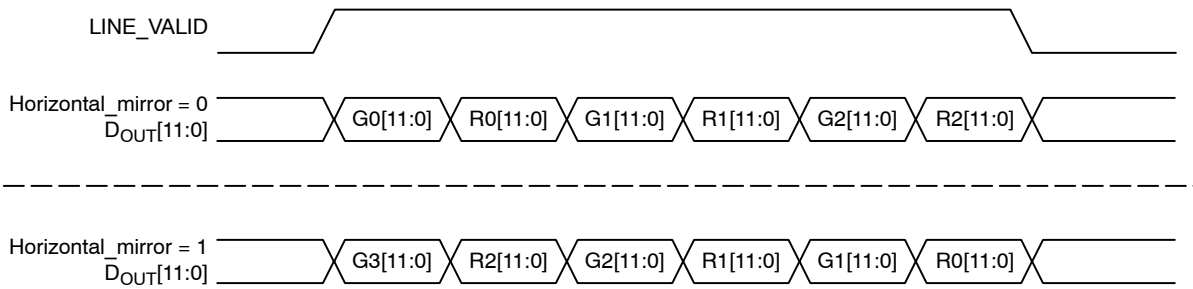


Figure 31. Effect of Horizontal Mirror on Readout Order

Vertical Flip

When the `vertical_flip` bit (`R0x3040[15]`) is set in the `image_orientation` register, the order in which pixel rows are read out is reversed, so that row readout starts from `y_addr_end` and ends at `y_addr_start`. Figure 32 shows

a sequence of 6 rows being read out with `R0x3040[15] = 0` and `R0x3040[15] = 1`. Changing this bit causes the Bayer order of the output image to change; the new Bayer order is reflected in the value of the `pixel_order` register.

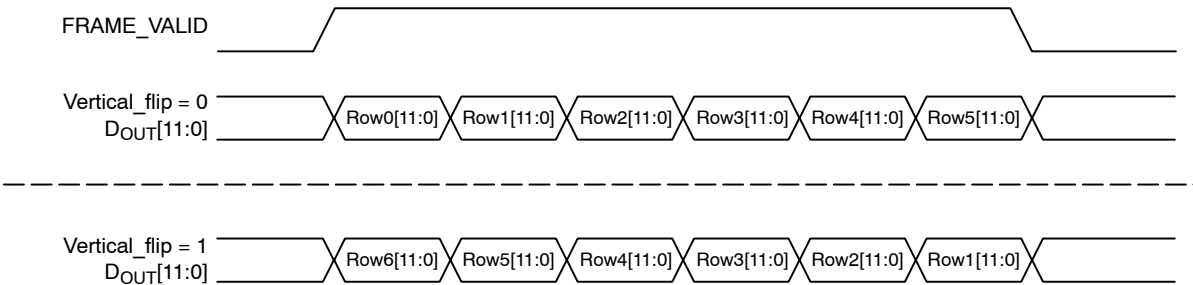


Figure 32. Effect of Vertical Flip on Readout Order

SUBSAMPLING

The AR0330 supports subsampling. Subsampling allows the sensor to read out a smaller set of active pixels by either skipping or binning pixels within the readout window. The

working modes described in the data sheet that use subsampling are configured to use either 2x2 or 3x3 subsampling.

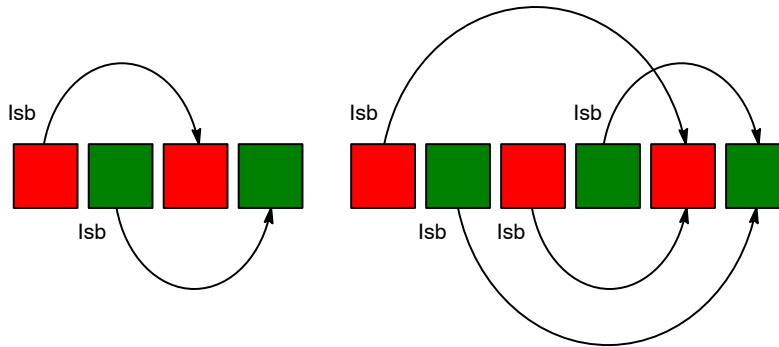


Figure 33. Horizontal Binning in the AR0330 Sensor

Horizontal binning is achieved either in the pixel readout or the digital readout. The sensor will sample the combined 2x or 3x adjacent pixels within the same color plane.

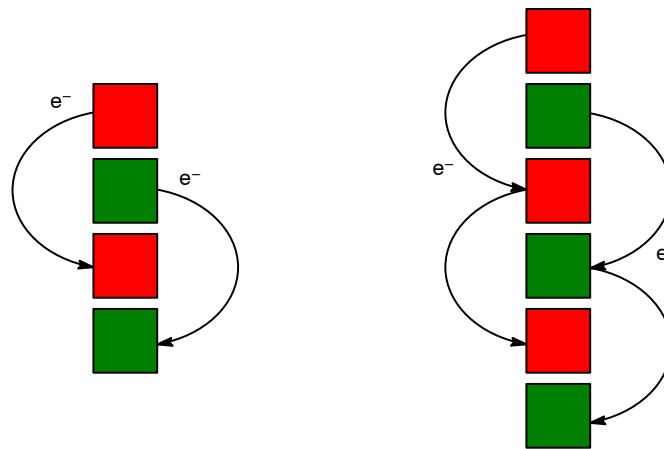


Figure 34. Vertical Row Binning in the AR0330 Sensor

Vertical row binning is applied in the pixel readout. Row binning can be configured of 2x or 3x rows within the same color plane. ON Semiconductor recommends not to use 3x binning in AR0330 as it may introduce some image artifacts.

Pixel skipping can be configured up to 2x and 3x in both the x-direction and y-direction. Skipping pixels in the x-direction will not reduce the row time. Skipping pixels in the y-direction will reduce the number of rows from the sensor effectively reducing the frame time. Skipping will introduce image artifacts from aliasing.

The sensor increments its x and y address based on the `x_odd_inc` and `y_odd_inc` value. The value indicates the addresses that are skipped after each pair of pixels or rows has been read.

The sensor will increment x and y addresses in multiples of 2. This indicates that a GreenR and Red pixel pair will be

read together. As well, that the sensor will read a Gr-R row first followed by a B-Gb row.

$$x \text{ subsampling factor} = \frac{1 + x_odd_inc}{2} \quad (\text{eq. 16})$$

$$y \text{ subsampling factor} = \frac{1 + y_odd_inc}{2} \quad (\text{eq. 17})$$

A value of 1 is used for `x_odd_inc` and `y_odd_inc` when no pixel subsampling is indicated. In this case, the sensor is incrementing x and y addresses by 1 + 1 so that it reads consecutive pixel and row pairs. To implement a 2x skip in the x direction, the `x_odd_inc` is set to 3 so that the x address increment is 1 + 3, meaning that sensor will skip every other Gr-R pair.

Table 35. CONFIGURATION FOR HORIZONTAL SUBSAMPLING

	x_odd_inc	Restrictions
No Subsampling	x_odd_inc = 1 Skip = (1+1) * 0.5 = 1x	The horizontal FOV must be programmed to meet the following rule: $\frac{x_addr_end - x_addr_start + 1}{\frac{x_odd_inc}{2}} = \text{even number}$
Skip 2x	x_odd_inc = 3 Skip = (1+3) * 0.5 = 2x	
Skip 3x	x_odd_inc = 5 Skip = (1+5) * 0.5 = 3x	
Analog Bin 2x	x_odd_inc = 3 Skip = (1+3) * 0.5 = 2x col_sf_bin_en = 1	
Analog Bin 3x	x_odd_inc = 5 Skip = (1+5) * 0.5 = 3x col_sf_bin_en = 1	
Digital Bin 2x	x_odd_inc = 3 Skip = (1+3) * 0.5 = 2x col_bin = 1	
Digital Bin 3x	x_odd_inc = 5 Skip = (1+5) * 0.5 = 3x col_bin = 1	

Table 36. CONFIGURATION FOR VERTICAL SUBSAMPLING

	y_odd_inc	Restrictions
No Subsampling	y_odd_inc = 1 Skip = (1+1) * 0.5 = 1x row_bin = 0	The horizontal FOV must be programmed to meet the following rule: $\frac{y_addr_end - y_addr_start + 1}{\frac{y_odd_inc}{2}} = \text{even number}$
Skip 2x	y_odd_inc = 3 skip = (1+3) * 0.5 = 2x row_bin = 0	
Skip 3x	y_odd_inc = 5 skip = (1+5) * 0.5 = 3x row_bin = 0	
Analog Bin 2x	y_odd_inc = 3 skip = (1+3) * 0.5 = 2x row_bin = 1	
Analog Bin 3x	y_odd_inc = 5 skip = (1+5) * 0.5 = 3x row_bin = 1	

SENSOR FRAME RATE

The time required to read out an image frame (T_{FRAME}) can be derived from the number of clocks required to output each image and the pixel clock.

The frame-rate is the inverse of the frame period.

$$fps = \frac{1}{T_{FRAME}} \quad (eq. 18)$$

The number of clocks can be simplified further into the following parameters:

- The number of clocks required for each sensor row (*line_length_pck*) This parameter also determines the sensor row period when referenced to the sensor readout clock.

$$(T_{ROW} = line_length_pck \times 1/CLK_PIX)$$

- The number of row periods per frame (*frame_length_lines*)
- An extra delay between frames used to achieve a specific output frame period (*extra_delay*)

$$T_{FRAME} = \frac{1}{CLK_PIX} \times (frame_length_lines \times line_length_pck + extra_delay) \quad (eq. 19)$$

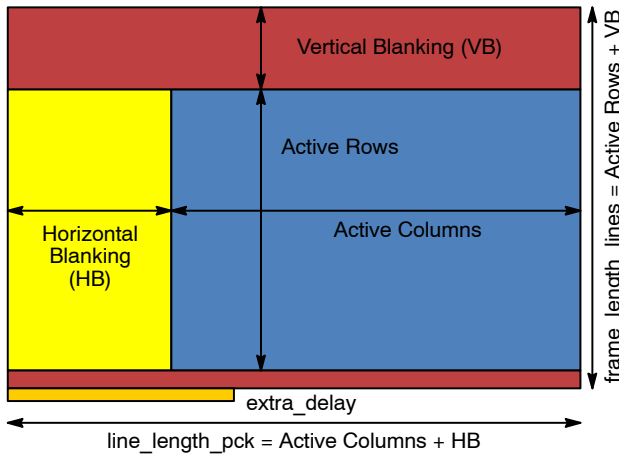


Figure 35. Frame Period Measured in Clocks

Row Period (T_{ROW})

The *line_length_pck* will determine the number of clock periods per row and the row period (T_{ROW}) when combined with the sensor readout clock. The *line_length_pck* includes both the active pixels and the horizontal blanking time per row. The sensor utilizes two readout paths, as seen in Figure 18, allowing the sensor to output two pixels during each pixel clock.

The minimum *line_length_pck* is defined as the maximum of the following three equations:

ADC Readout Limitation:

$$1024 (ADC_HIGH_SPEED) = 0 \quad \text{or} \quad (eq. 20)$$

$$1116 (ADC_HIGH_SPEED) = 1(0)$$

Options to modify this limit, as mentioned in the “Sequencer” section, can be found in the AR0330 Developer Guide.

Digital Readout Limitation:

$$\frac{1}{3} \times \left(\frac{x_addr_end - x_addr_start}{(x_odd_inc + 1) \times 0.5} \right) \quad (eq. 21)$$

Output Interface Limitations:

$$\frac{1}{2} \times \left(\frac{x_addr_end - x_addr_start}{(x_odd_inc + 1) \times 0.5} \right) + 96 \quad (eq. 22)$$

Row Periods per Frame

The *frame_length_lines* determines the number of row periods (T_{ROW}) per frame. This includes both the active and blanking rows. The *minimum_vertical_blanking* value is defined by the number of OB rows read per frame, two embedded data rows, and two blank rows.

$$Minimum\ frame_length_lines = \frac{y_addr_end - y_addr_start}{\frac{y_odd_inc + 1}{2}} + (eq. 23)$$

$$+ minimum_vertical_blanking$$

The sensor is configured to output frame information in two embedded data rows by setting R0x3064[8] to 1 (default). If R0x3064[8] is set to 0, the sensor will instead output two blank rows. The data configured in the two embedded rows is defined in MIPI CSI-2 Specification V1.00.

Table 37. MINIMUM VERTICAL BLANKING CONFIGURATION

R0x3180[0x00F0]	OB Rows	minimum_vertical_blanking
0x8 (Default)	8 OB Rows	8 OB + 4 = 12
0x4	4 OB Rows	4 OB + 4 = 8
0x2	2 OB Rows	2 OB + 4 = 6

The locations of the OB rows, embedded rows, and blank rows within the frame readout are identified in Figure 36.

SLAVE MODE

The slave mode feature of the AR0330 supports triggering the start of a frame readout from a VD signal that is supplied from an external ASIC. The slave mode signal allows for precise control of frame rate and register change updates.

The VD signal is input to the trigger pin. Both the GPI_EN (R0x301A[8]) and the SLAVE_MODE (R0x30CE[4]) bits must be set to “1” to enable the slave mode.

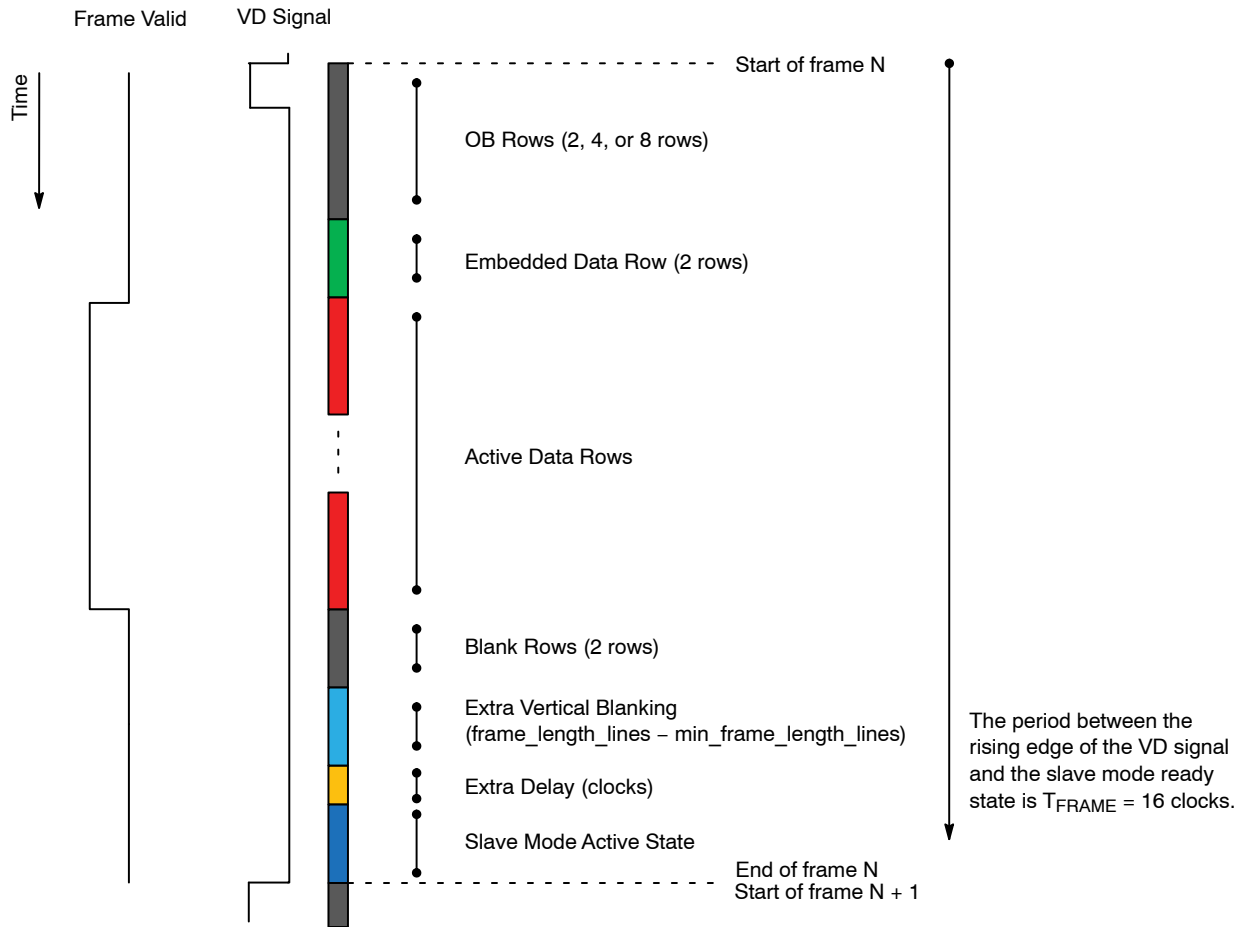


Figure 36. Slave Mode Active State and Vertical Blanking

If the slave mode is disabled, the new frame will begin after the extra delay period is finished.

The slave mode will react to the rising edge of the input VD signal if it is in an active state. When the VD signal is received, the sensor will begin the frame readout and the

slave mode will remain inactive for the period of one frame time minus 16 clock periods ($T_{FRAME} - (16 / CLK_PIX)$). After this period, the slave mode will re-enter the active state and will respond to the VD signal.

AR0330CM

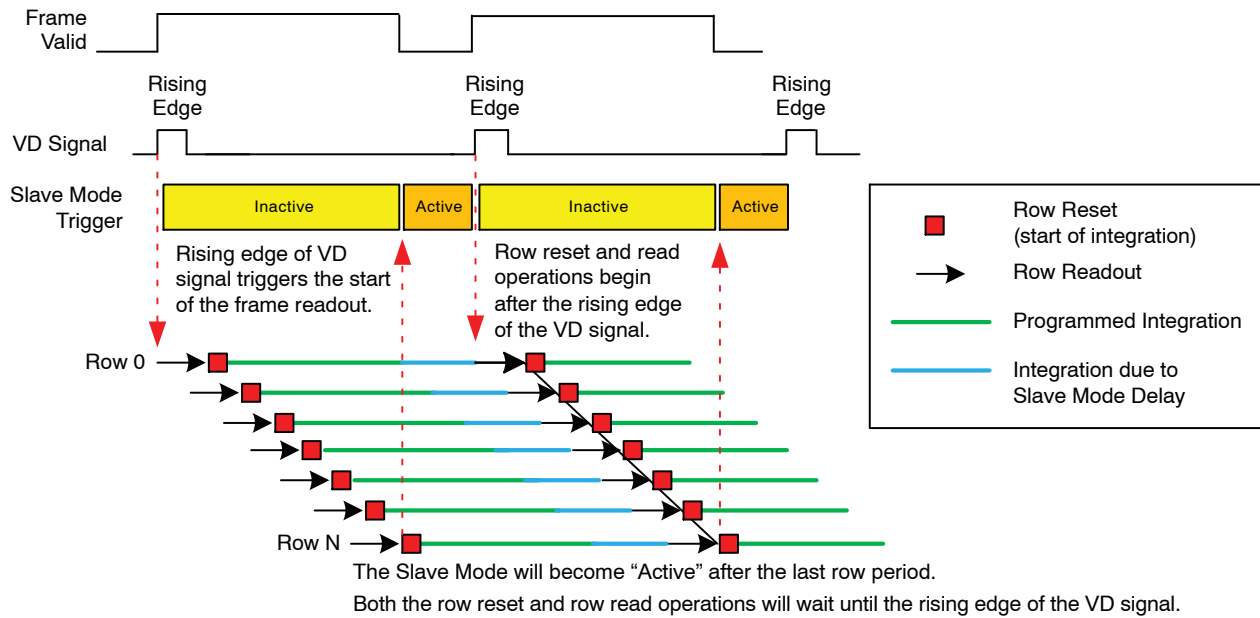


Figure 37. Slave Mode Example with Equal Integration and Frame Readout Periods

(The integration of the last row is therefore started before the end of the programmed integration for the first row)

The row shutter and read operations will stop when the slave mode becomes active and is waiting for the VD signal. The following should be considered when configuring the sensor to use the slave mode:

1. The frame period (T_{FRAME}) should be configured to be less than the period of the input VD signal. The sensor will disregard the input VD signal if it appears before the frame readout is finished.

2. If the sensor integration time is configured to be less than the frame period, then the sensor will not have reset all of the sensor rows before it begins waiting for the input VD signal. This error can be minimized by configuring the frame period to be as close as possible to the desired frame rate (period between VD signals).

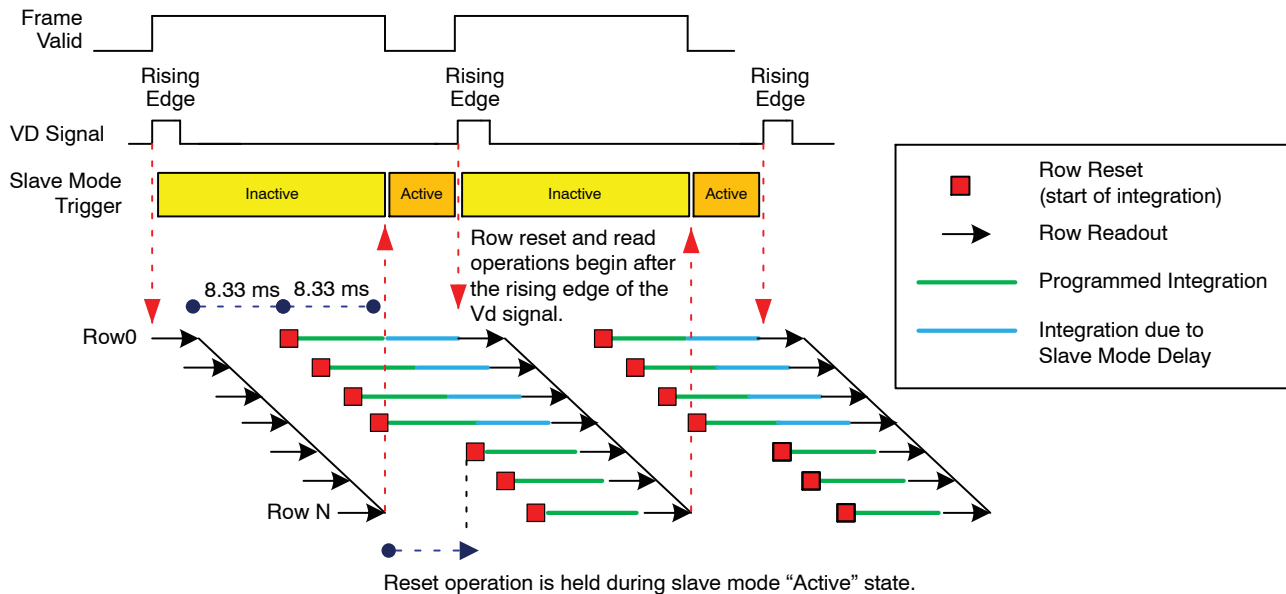


Figure 38. Slave Mode Example where the Integration Period is Half of the Frame Readout Period

(The sensor read pointer will have paused at row 0 while the shutter pointer pauses at row N/2. The extra integration caused by the slave mode delay will only be seen by rows 0 to N/2. The example below is for a frame readout period of 16.6ms while the integration time is configured to 8.33ms)

AR0330CM

When the slave mode becomes active, the sensor will pause both row read and row reset operations.

NOTE: The row integration period is defined as the period from row reset to row read.

When the AR0330 is working in slave mode, the external trigger signal VD must have accurately controlled timing to avoid uneven exposure in the output image. The VD timing control should make the slave mode “wait period” less than 32 pixel clocks.

To avoid uneven exposure, programmed integration time cannot be larger than VD period. To increase integration time more than current VD period, the AR0330 must be configured to work at a lower frame rate and read out image with new VD to match the new timing.

The period between slave mode pulses must also be greater than the frame period. If the rising edge of the VD pulse arrives while the slave mode is inactive, the VD pulse will be ignored and will wait until the next VD pulse has arrived.

FRAME READOUT

The sensor readout begins with vertical blanking rows followed by the active rows. The frame readout period can be defined by the number of row periods within a frame (*frame_length_lines*) and the row period (*line_length_pck*).

The sensor will read the first vertical blanking row at the beginning of the frame period and the last active row at the end of the row period.

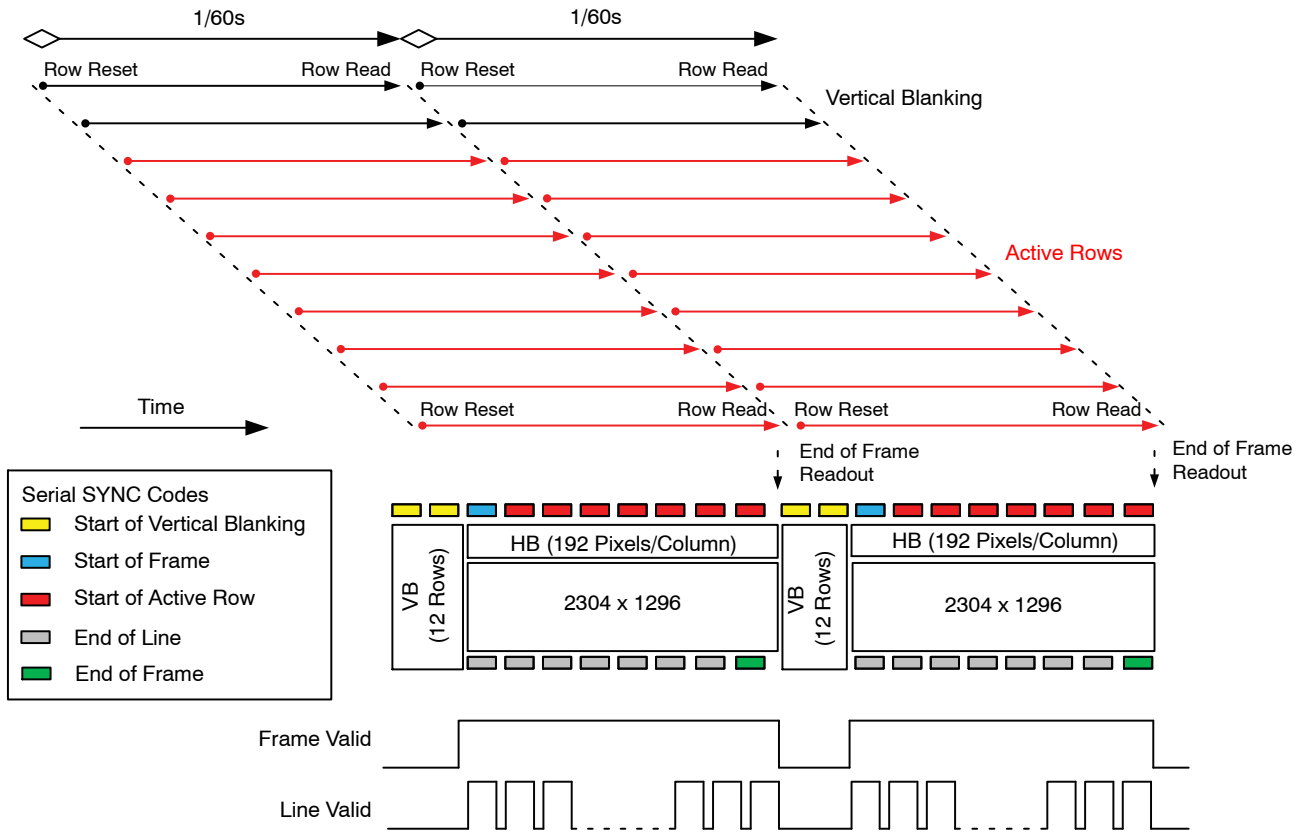


Figure 39. Example of the Sensor Output of a 2304 x 1296 Frame at 60 fps

(The frame valid and line valid signals mentioned in this diagram represent internal signals within the sensor. The SYNC codes represented in this diagram represent the HiSPi Streaming SP protocol)

Frame 39 aligns the frame integration and readout operation to the sensor output. It also shows the sensor

output using the HiSPi Streaming SP protocol. Different sensor protocols will list different SYNC codes.

Table 38. SERIAL SYNC CODES INCLUDED WITH EACH PROTOCOL INCLUDED WITH THE AR0330 SENSOR

Interface/Protocol	Start of Vertical Blanking Row (SOV)	Start of Frame (SOF)	Start of Active Line (SOA)	End of Line (EOL)	End of Frame (EOF)
Parallel	Parallel Interface Uses FRAME VALID (FV) and LINE VALID (LV) Outputs to Denote Start and End of Line and Frame.				
HiSPi Streaming S	Yes	Send SOV	Yes	No SYNC Code	No SYNC Code
HiSPi Streaming SP	Yes	Yes	Yes	Yes	Yes
HiSPi Packetized SP	No SYNC Code	Yes	Yes	Yes	Yes
MIPI	No SYNC Code	Yes	Yes	Yes	Yes

Figure 40 illustrates how the sensor active readout time can be minimized while reducing the frame rate. 1308 VB rows were added to the output frame to reduce the

2304 x 1296 frame rate from 60 fps to 30 fps without increasing the delay between the readout of the first and last active row.

AR0330CM

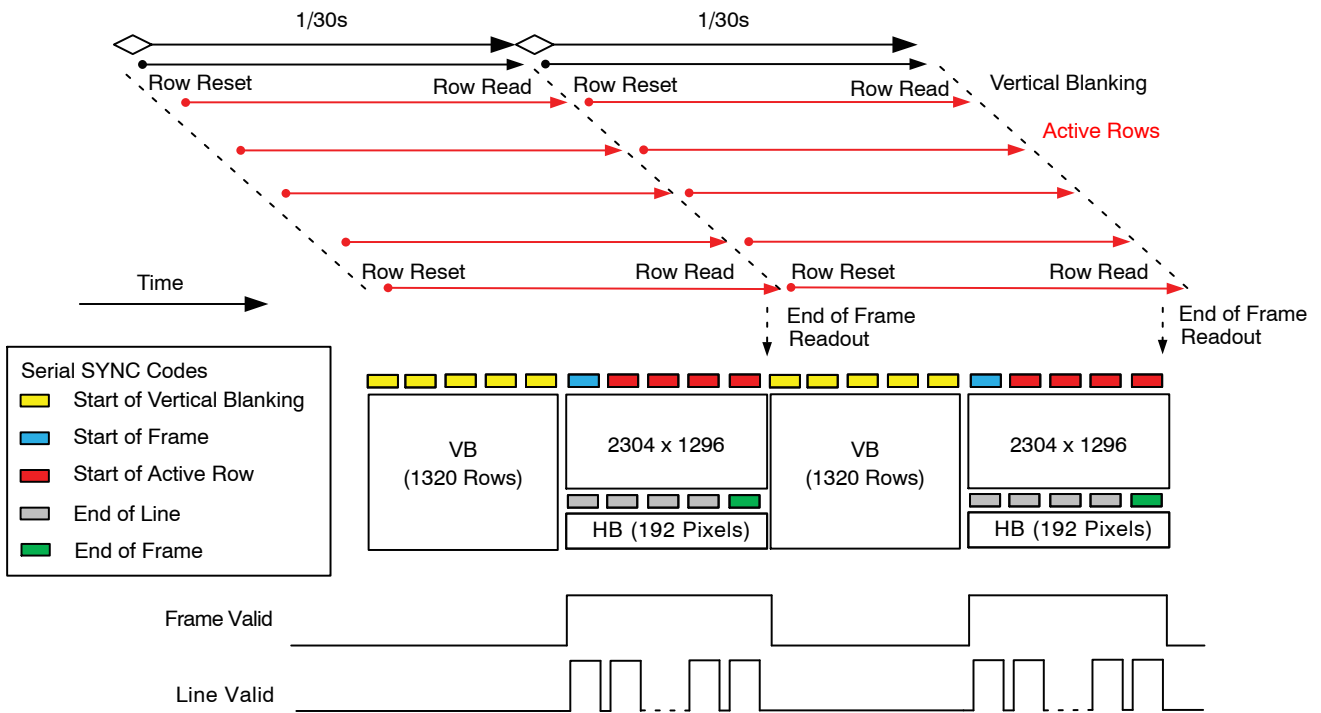


Figure 40. Example of the Sensor Output of a 2304 × 1296 Frame at 30 fps

(The frame valid and line valid signals mentioned in this diagram represent internal signals within the sensor. The SYNC codes represented in this diagram represent the HiSPi Streaming SP protocol)

AR0330CM

CHANGING SENSOR MODES

Register Changes

All register writes are delayed by 1x frame. A register that is written to during the readout of frame n will not be updated to the new value until the readout of frame $n+2$. This includes writes to the sensor gain and integration registers.

Real-Time Context Switching

In the AR0330, the user may switch between two full register sets A and B by writing to a context switch change

bit in R0x30B0[13]. When the context switch is configured to context A the sensor will reference the “Context A Registers”. If the context switch is changed from A to B during the readout of frame n , the sensor will then reference the context B *coarse_integration_time* registers in frame $n+1$ and all other context B registers at the beginning of reading frame $n+2$. The sensor will show the same behavior when changing from context B to context A.

Table 39. LIST OF CONFIGURABLE REGISTERS FOR CONTEXT A AND CONTEXT B

Context A		Context B	
Register Description	Address	Register Description	Address
Coarse_integration_time	0x3012	Coarse_integration_time_CB	0x3016
Fine_integration_time	0x3014	Fine_integration_time_CB	0x3018
Line_length_pck	0x300C	Line_length_pck_CB	0x303E
Frame_length_lines	0x300A	Frame_length_lines_CB	0x30AA
COL_SF_BIN_EN	0x3040[9]	COL_SF_BIN_EN_CB	0x3040[8]
ROW_BIN	0x3040[12]	ROW_BIN_CB	0x3040[10]
COL_BIN	0x3040[13]	COL_BIN_CB	0x3040[11]
FINE_GAIN	0x3060[3:0]	FINE_GAIN_CB	0x3060[11:8]
COARSE_GAIN	0x3060[5:4]	COARSE_GAIN_CB	0x3060[13:12]
x_addr_start	0x3004	x_addr_start_CB	0x308A
y_addr_start	0x3002	y_addr_start_CB	0x308C
x_addr_end	0x3008	x_addr_end_CB	0x308E
y_addr_end	0x3006	y_addr_end_CB	0x3090
Y_odd_inc	0x30A6	Y_odd_inc_CB	0x30A8
X_odd_inc	0x30A2	X_odd_inc_CB	0x30AE
ADC_HIGH_SPEED	0x30BA[6]	ADC_HIGH_SPEED_CB	0x30BA[7]
GREEN1_GAIN	0x3056	GREEN1_GAIN_CB	0x30BC
BLUE_GAIN	0x3058	BLUE_GAIN_CB	0x30BE
RED_GAIN	0x305A	RED_GAIN_CB	0x30C0
GREEN2_GAIN	0x305C	GREEN2_GAIN_CB	0x30C2
GLOBAL_GAIN	0x305E	GLOBAL_GAIN_CB	0x30C4

NOTE: ON Semiconductor recommends leaving fine_integration_time at 0.

AR0330CM

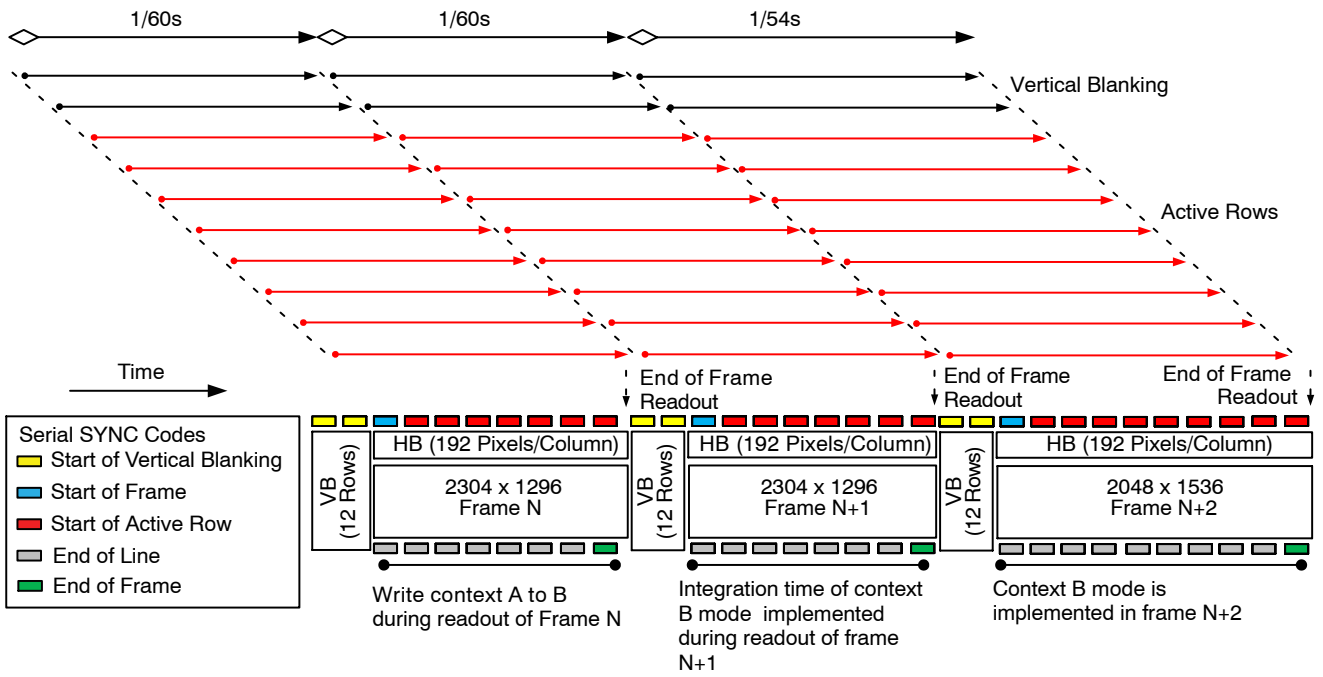


Figure 41. Example of Changing the Sensor from Context A to Context B

COMPRESSION

The sensor can optionally compress 12-bit data to 10-bit using A-law compression. The compression is applied after the data pedestal has been added to the data. See Figure 1.

The A-law compression is disabled by default and can be enabled by setting R0x31D0 from “0” to “1”.

Table 40. A-LAW COMPRESSION TABLE FOR 12–10 BITS

Input Range	Input Values												Compressed Codeword											
	11	10	9	8	7	6	5	4	3	2	1	0	9	8	7	6	5	4	3	2	1	0		
0 to 127	0	0	0	0	0	a	b	c	d	e	f	g	0	0	0	a	b	c	d	e	f	g		
128 to 255	0	0	0	0	1	a	b	c	d	e	f	g	0	0	1	a	b	c	d	e	f	g		
256 to 511	0	0	0	1	a	b	c	d	e	f	g	X	0	1	0	a	b	c	d	e	f	g		
512 to 1023	0	0	1	a	b	c	d	e	f	g	X	X	0	1	1	a	b	c	d	e	f	g		
1024 to 2047	0	1	a	b	c	d	e	f	g	h	X	X	1	0	a	b	c	d	e	f	g	h		
2048 to 4095	1	a	b	c	d	e	f	g	h	X	X	X	1	1	a	b	c	d	e	f	g	h		

TEST PATTERNS

The AR0330 has the capability of injecting a number of test patterns into the top of the datapath to debug the digital logic. With one of the test patterns activated, any of the datapath functions can be enabled to exercise it in a deterministic fashion. Test patterns are selected by Test_Pattern_Mode register (R0x3070). Only one of the test patterns can be enabled at a given point in time by setting the

Test_Pattern_Mode register according to Table 41. When test patterns are enabled the active area will receive the value specified by the selected test pattern and the dark pixels will receive the value in Test_Pattern_Green (R0x3074 and R0x3078) for green pixels, Test_Pattern_Blue (R0x3076) for blue pixels, and Test_Pattern_Red (R0x3072) for red pixels.

Table 41. TEST PATTERN MODES

Test_Pattern_Mode	Test Pattern Output
0	No Test Pattern (Normal Operation)
1	Solid Color
2	100% Vertical Color Bars
3	Fade-to-Gray Vertical Color Bars
256	Walking 1s Test Pattern (12-bit)

Solid Color

When the color field mode is selected, the value for each pixel is determined by its color. Green pixels will receive the value in Test_Pattern_Green, red pixels will receive the value in Test_Pattern_Red, and blue pixels will receive the value in Test_Pattern_Blue.

Vertical Color Bars

When the vertical color bars mode is selected, a typical color bar pattern will be sent through the digital pipeline.

Walking 1s

When the walking 1s mode is selected, a walking 1s pattern will be sent through the digital pipeline. The first value in each row is 1.

TWO-WIRE SERIAL REGISTER INTERFACE

The two-wire serial interface bus enables read/write access to control and status registers within the AR0330. This interface is designed to be compatible with the electrical characteristics and transfer protocols of the I²C specification.

The interface protocol uses a master/slave model in which a master controls one or more slave devices. The sensor acts as a slave device. The master generates a clock (S_{CLK}) that is an input to the sensor and is used to synchronize transfers. Data is transferred between the master and the slave on a bidirectional signal (S_{DATA}). S_{DATA} is pulled up to V_{DD_IO} off-chip by a 1.5 kΩ resistor. Either the slave or master device can drive S_{DATA} LOW – the interface protocol determines which device is allowed to drive S_{DATA} at any given time.

The protocols described in the two-wire serial interface specification allow the slave device to drive S_{CLK} LOW; the AR0330 uses S_{CLK} as an input only and therefore never drives it LOW.

Protocol

Data transfers on the two-wire serial interface bus are performed by a sequence of low-level protocol elements:

1. a (repeated) start condition
2. a slave address/data direction byte
3. an (a no-) acknowledge bit
4. a message byte
5. a stop condition

The bus is idle when both S_{CLK} and S_{DATA} are HIGH. Control of the bus is initiated with a start condition, and the bus is released with a stop condition. Only the master can generate the start and stop conditions.

Start Condition

A start condition is defined as a HIGH-to-LOW transition on S_{DATA} while S_{CLK} is HIGH. At the end of a transfer, the master can generate a start condition without previously generating a stop condition; this is known as a “repeated start” or “restart” condition.

Stop Condition

A stop condition is defined as a LOW-to-HIGH transition on S_{DATA} while S_{CLK} is HIGH.

Data Transfer

Data is transferred serially, 8 bits at a time, with the MSB transmitted first. Each byte of data is followed by an acknowledge bit or a no-acknowledge bit. This data transfer mechanism is used for both the slave address/data direction byte and for message bytes.

One data bit is transferred during each S_{CLK} clock period. S_{DATA} can change when S_{CLK} is LOW and must be stable while S_{CLK} is HIGH.

Slave Address/Data Direction Byte

Bits [7:1] of this byte represent the device slave address and bit [0] indicates the data transfer direction. A “0” in bit

[0] indicates a WRITE, and a “1” indicates a READ. The default slave addresses used by the AR0330 sensor are 0x20 (write address) and 0x21 (read address). Alternate slave addresses of 0x30 (WRITE address) and 0x31 (READ address) can be selected by asserting the S_{ADDR} signal (tie HIGH).

Alternate slave addresses can also be programmed through R0x31FC.

Message Byte

Message bytes are used for sending register addresses and register write data to the slave device and for retrieving register read data.

Acknowledge Bit

Each 8-bit data transfer is followed by an acknowledge bit or a no-acknowledge bit in the S_{CLK} clock period following the data transfer. The transmitter (which is the master when writing, or the slave when reading) releases S_{DATA}. The receiver indicates an acknowledge bit by driving S_{DATA} LOW. As for data transfers, S_{DATA} can change when S_{CLK} is LOW and must be stable while S_{CLK} is HIGH.

No-Acknowledge Bit

The no-acknowledge bit is generated when the receiver does not drive S_{DATA} LOW during the S_{CLK} clock period following a data transfer. A no-acknowledge bit is used to terminate a read sequence.

Typical Sequence

A typical READ or WRITE sequence begins by the master generating a start condition on the bus. After the start condition, the master sends the 8-bit slave address/data direction byte. The last bit indicates whether the request is for a read or a write, where a “0” indicates a write and a “1” indicates a read. If the address matches the address of the slave device, the slave device acknowledges receipt of the address by generating an acknowledge bit on the bus.

If the request was a WRITE, the master then transfers the 16-bit register address to which the WRITE should take place. This transfer takes place as two 8-bit sequences and the slave sends an acknowledge bit after each sequence to indicate that the byte has been received. The master then transfers the data as an 8-bit sequence; the slave sends an acknowledge bit at the end of the sequence. The master stops writing by generating a (re)start or stop condition.

If the request was a READ, the master sends the 8-bit write slave address/data direction byte and 16-bit register address, the same way as with a WRITE request. The master then generates a (re)start condition and the 8-bit read slave address/data direction byte, and clocks out the register data, eight bits at a time. The master generates an acknowledge bit after each 8-bit transfer. The slave’s internal register address is automatically incremented after every 8 bits are transferred. The data transfer is stopped when the master sends a no-acknowledge bit.

AR0330CM

Single READ From Random Location

This sequence (Figure 42) starts with a dummy WRITE to the 16-bit address that is to be used for the READ. The master terminates the WRITE by generating a restart condition. The master then sends the 8-bit read slave address/data direction byte and clocks out one byte of

register data. The master terminates the READ by generating a no-acknowledge bit followed by a stop condition. Figure 42 shows how the internal register address maintained by the AR0330 is loaded and incremented as the sequence proceeds.

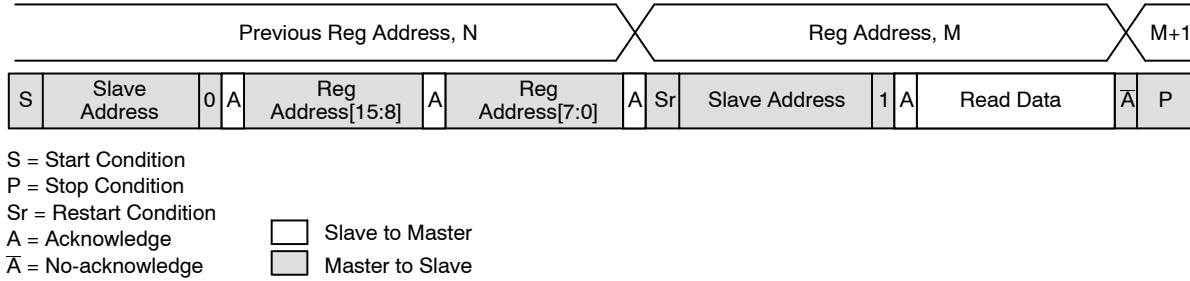


Figure 42. Single READ from Random Location

Single READ From Current Location

This sequence (Figure 43) performs a read using the current value of the AR0330 internal register address.

The master terminates the READ by generating a no-acknowledge bit followed by a stop condition. The figure shows two independent READ sequences.

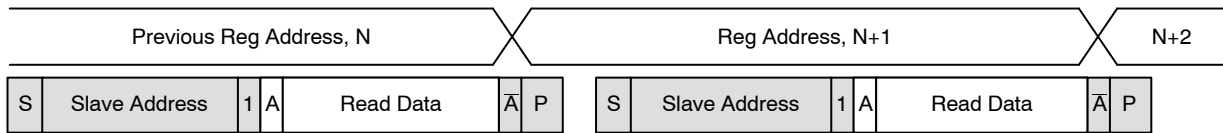


Figure 43. Single READ from Current Location

Sequential READ, Start From Random Location

This sequence (Figure 44) starts in the same way as the single READ from random location (Figure 42). Instead of generating a no-acknowledge bit after the first byte of data

has been transferred, the master generates an acknowledge bit and continues to perform byte READs until “L” bytes have been read.

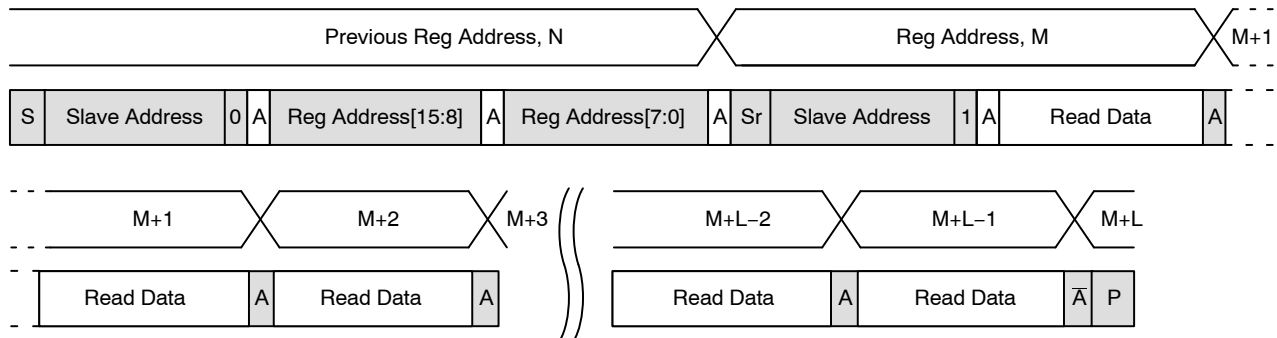


Figure 44. Sequential READ, Start from Random Location

Sequential READ, Start From Current Location

This sequence (Figure 45) starts in the same way as the single READ from current location (Figure 43). Instead of generating a no-acknowledge bit after the first byte of data

has been transferred, the master generates an acknowledge bit and continues to perform byte READs until “L” bytes have been read.

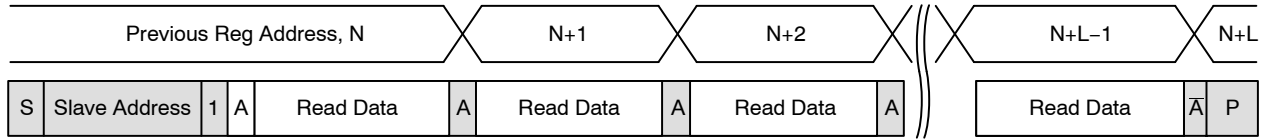


Figure 45. Sequential READ, Start from Current Location

Single WRITE to Random Location

This sequence (Figure 46) begins with the master generating a start condition. The slave address/data direction by signals a WRITE and is followed by the HIGH

then LOW bytes of the register address that is to be written. The master follows this with the byte of write data. The WRITE is terminated by the master generating a stop condition.

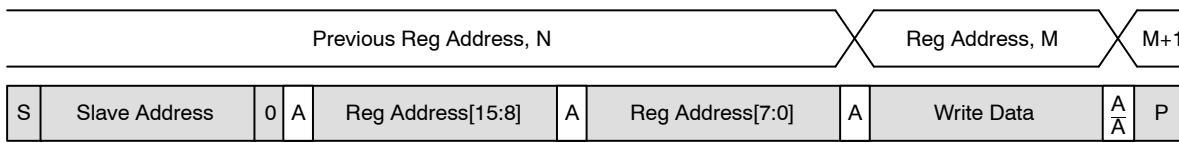


Figure 46. Single WRITE to Random Location

Sequential WRITE, Start at Random Location

This sequence (Figure 47) starts in the same way as the single WRITE to random location (Figure 46). Instead of generating a stop condition after the first byte of data has

been transferred, the master continues to perform byte WRITES until “L” bytes have been written. The WRITE is terminated by the master generating a stop condition.

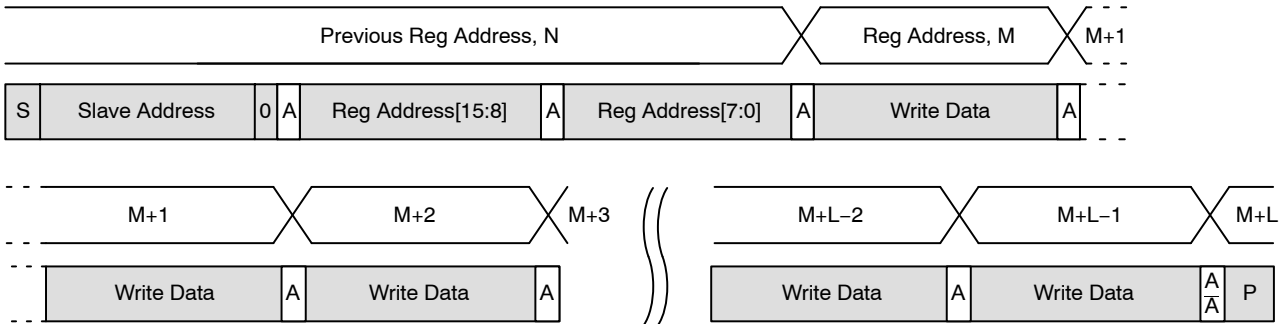


Figure 47. Sequential WRITE, Start at Random Location

AR0330CM

SPECTRAL CHARACTERISTICS

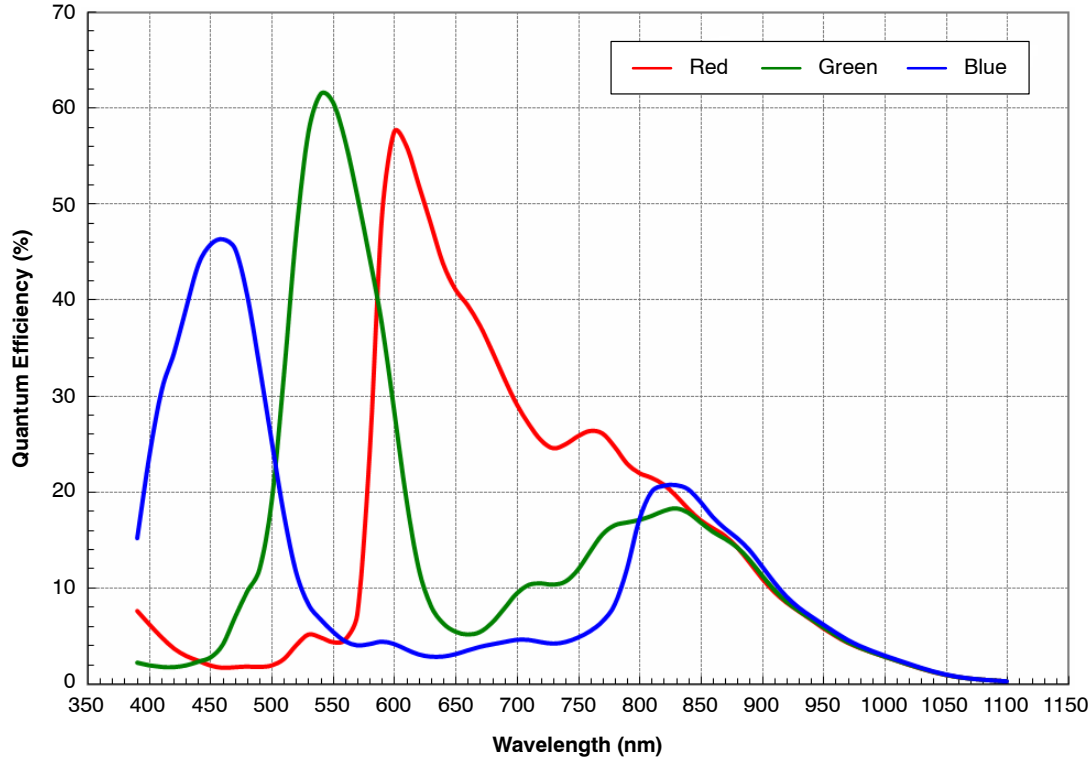
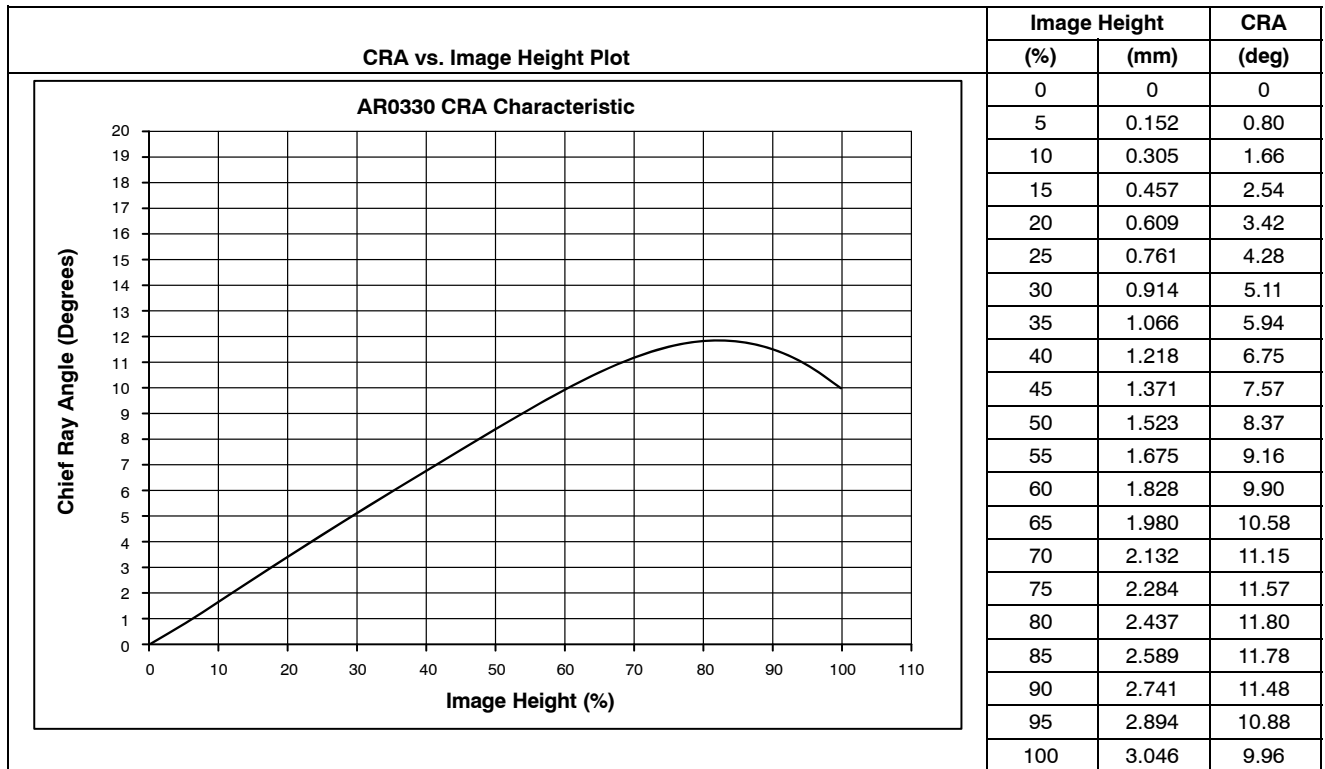


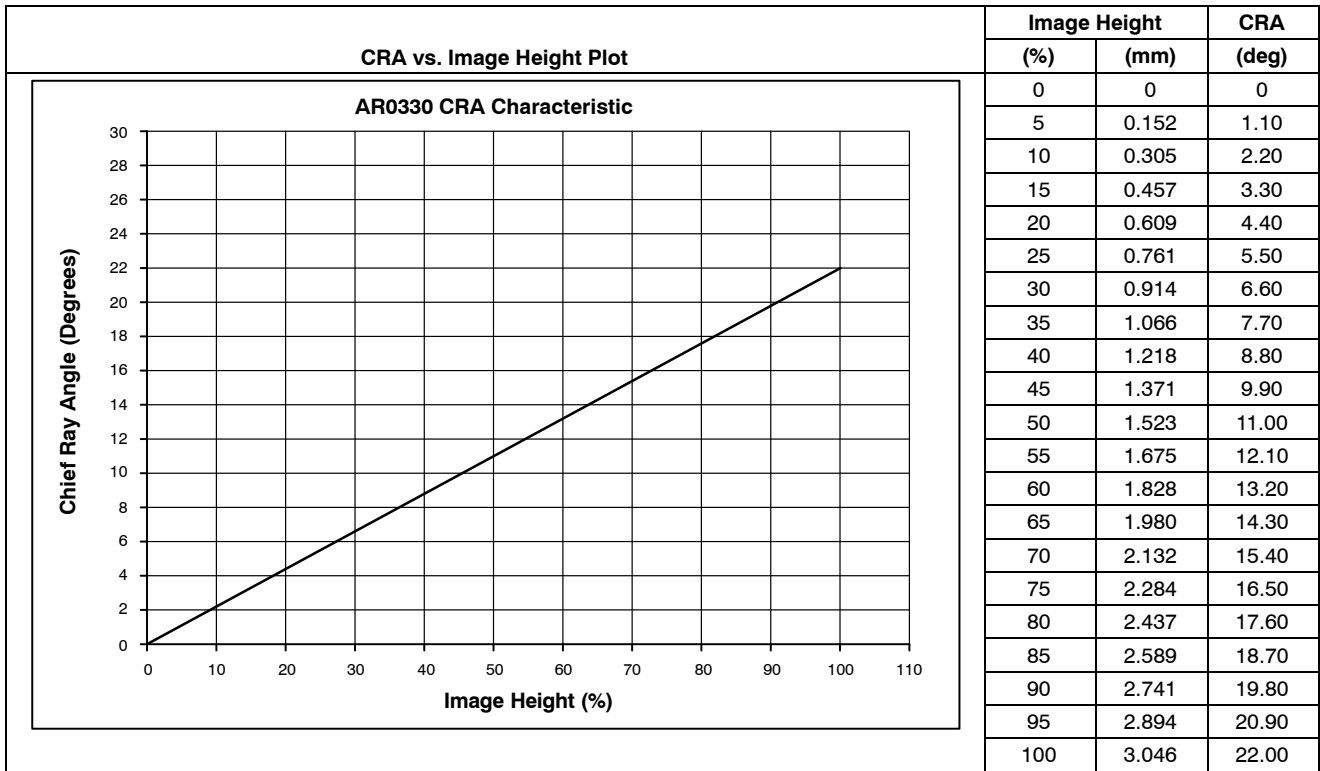
Figure 48. Bare Die Quantum Efficiency



NOTE: The CRA listed in the advanced data sheet described the 2048 × 1536 field of view (2.908 mm image height). This information was sufficient for configuring the sensor to read both the 4:3 (2048 × 1536) and 16:9 (2304 × 1296) aspect ratios. The CRA information listed in the data sheet has now been updated to represent the entire pixel array (2304 × 1536).

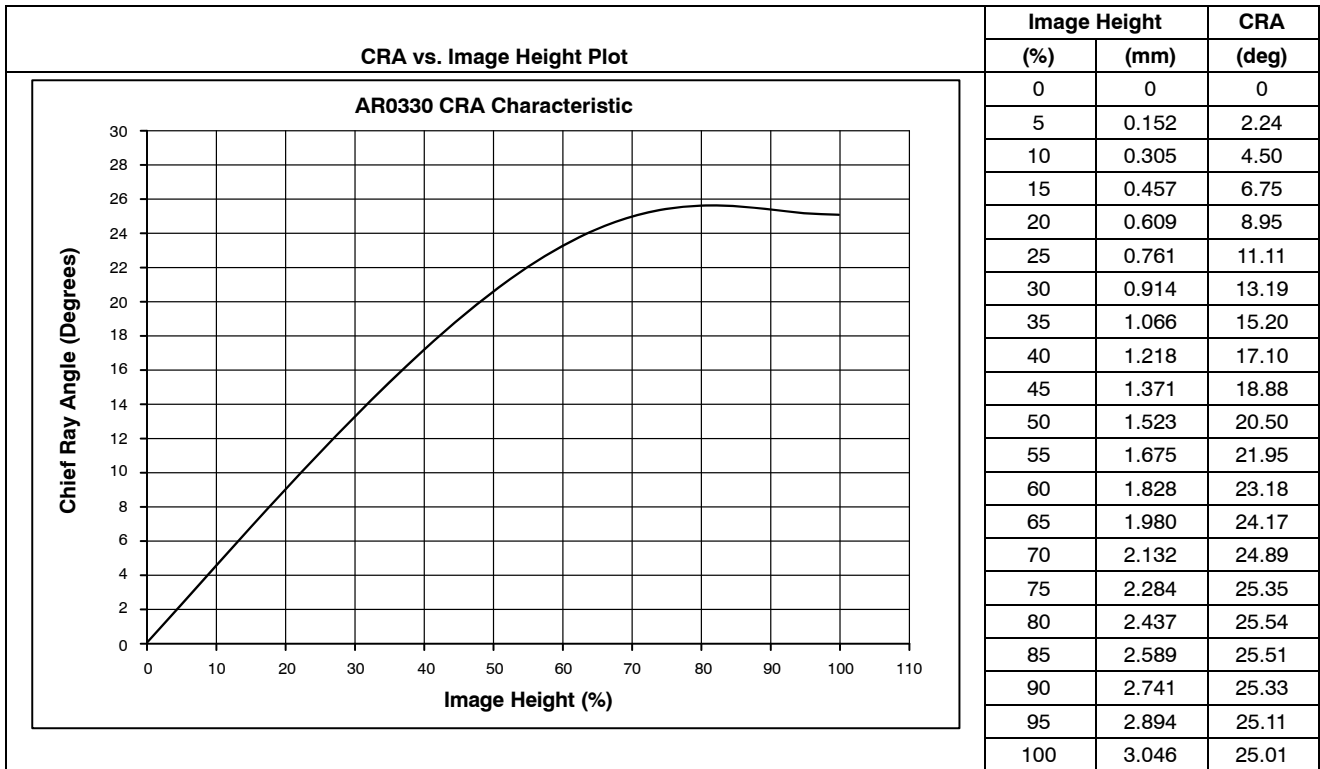
Figure 49. Chief Ray Angle (CRA) – 12°

AR0330CM



NOTE: The CRA listed in the advanced data sheet described the 2048 × 1536 field of view (2.908 mm image height). This information was sufficient for configuring the sensor to read both the 4:3 (2048 × 1536) and 16:9 (2304 × 1296) aspect ratios. The CRA information listed in the data sheet has now been updated to represent the entire pixel array (2304 × 1536).

Figure 50. Chief Ray Angle (CRA) – 21°



NOTE: The CRA listed in the advanced data sheet described the 2048 × 1536 field of view (2.908 mm image height). This information was sufficient for configuring the sensor to read both the 4:3 (2048 × 1536) and 16:9 (2304 × 1296) aspect ratios. The CRA information listed in the data sheet has now been updated to represent the entire pixel array (2304 × 1536).

Figure 51. Chief Ray Angle (CRA) – 25°

Read the Sensor CRA

Follow the steps below to obtain the CRA value of the Image Sensor:

1. Set the register bit field R0x301A[5] = 1.
2. Read the register bit fields R0x31FA[11:9].
3. Determine the CRA value according to Table 42.

Table 42. CRA VALUE

Binary Value of R0x31FA[11:9]	CRA Value
000	0
001	21
010	25
011	12

AR0330CM

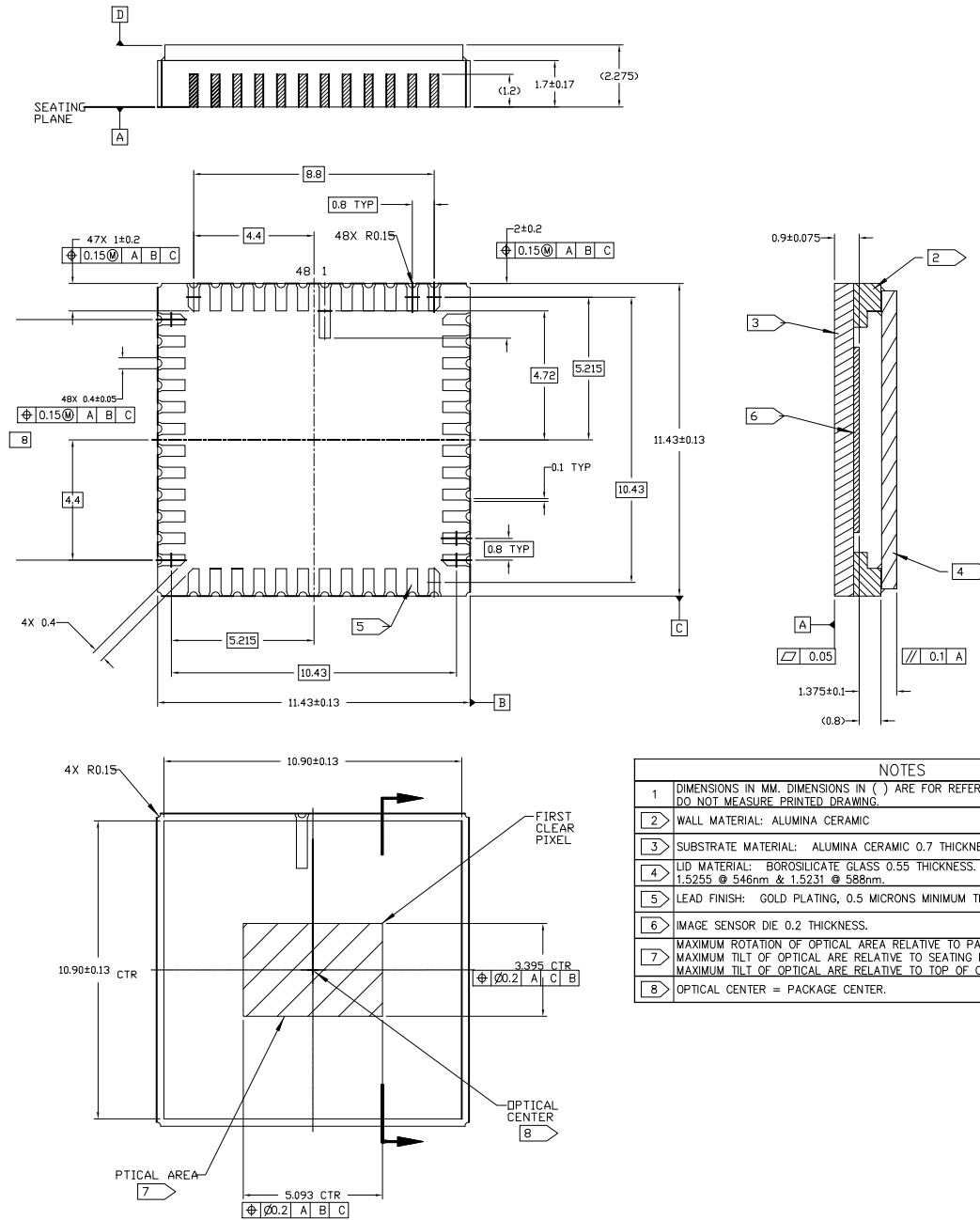
PACKAGES

The AR0330 comes in two packages:

- CLCC Package
- CSP HiSpi/MIPI Package

PACKAGE DIMENSIONS

CLCC48
CASE 848AU
ISSUE O



NOTES	
1	DIMENSIONS IN MM. DIMENSIONS IN () ARE FOR REFERENCE ONLY. DO NOT MEASURE PRINTED DRAWING.
2	WALL MATERIAL: ALUMINA CERAMIC
3	SUBSTRATE MATERIAL: ALUMINA CERAMIC 0.7 THICKNESS.
4	LID MATERIAL: BOROSILICATE GLASS 0.55 THICKNESS. REFRACTIVE INDEX AT 20°C = 1.5255 @ 546nm & 1.5231 @ 588nm.
5	LEAD FINISH: GOLD PLATING, 0.5 MICRONS MINIMUM THICKNESS.
6	IMAGE SENSOR DIE 0.2 THICKNESS.
7	MAXIMUM ROTATION OF OPTICAL AREA RELATIVE TO PACKAGE EDGES: 1°. MAXIMUM TILT OF OPTICAL AREA RELATIVE TO SEATING PLANE A: 50 MICRONS. MAXIMUM TILT OF OPTICAL AREA RELATIVE TO TOP OF COVER GLASS: 75 MICRONS.
8	OPTICAL CENTER = PACKAGE CENTER.

AR0330CM

PACKAGE DIMENSIONS

ODCSP64
CASE 570BH
ISSUE O

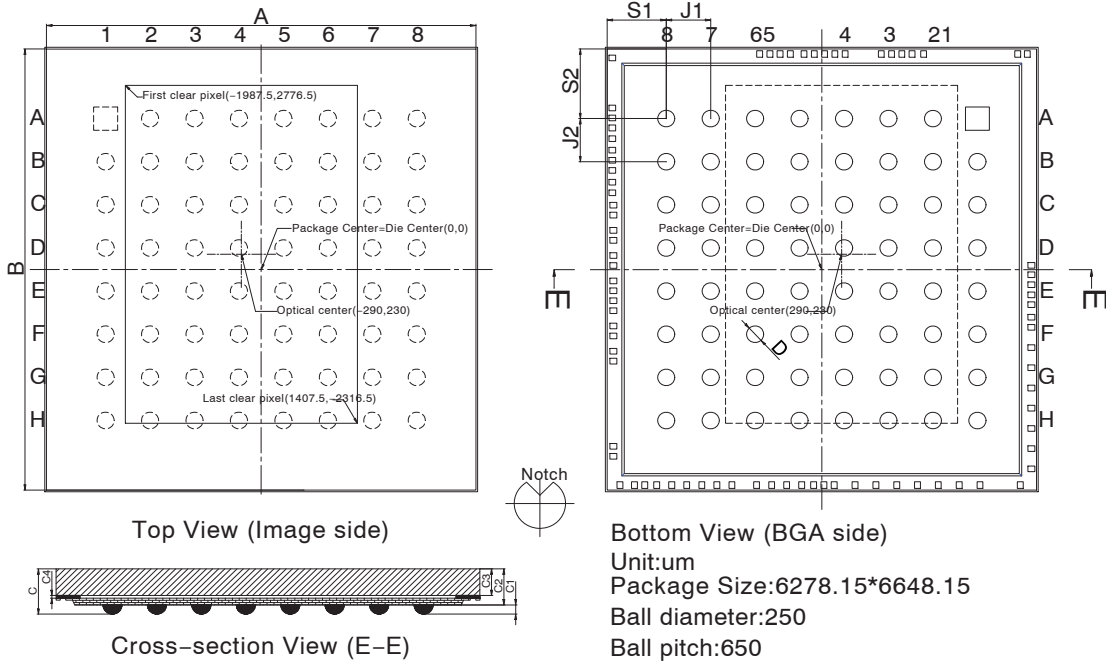


Table 43. CSP (MIPI/HISPI) PACKAGE DIMENSIONS

Parameter	Symbol	Nom	Min	Max	Nom	Min	Max
		Millimeters			Inches		
Package Body Dimension X	A	6.278	6.253	6.303	0.247	0.246	0.248
Package Body Dimension Y	B	6.648	6.623	6.673	0.262	0.261	0.263
Package Height	C	0.700	0.645	0.745	0.028	0.025	0.029
Cavity Height (Glass to Pixel Distance)	C4	0.041	0.037	0.045	0.002	0.001	0.002
Glass Thickness	C3	0.400	0.390	0.410	0.016	0.015	0.016
Package Body Thickness	C2	0.570	0.535	0.605	0.022	0.021	0.024
Ball Height	C1	0.130	0.100	0.160	0.005	0.004	0.006
Ball Diameter	D	0.250	0.220	0.280	0.010	0.009	0.011
Total Ball Count	N	64					
Ball Count X Axis	N1	8					
Ball Count Y Axis	N2	8					
UBM	U	0.280	0.270	0.290	0.011	0.011	0.011
Pins Pitch X Axis	J1	0.650			0.026		
Pins Pitch Y Axis	J2	0.650			0.026		
BGA Ball Center to Package Center Offset in X-direction	X	0.000	-0.025	0.025	0.000	-0.001	0.001
BGA Ball Center to Package Center Offset in Y-direction	Y	0.000	-0.025	0.025	0.000	-0.001	0.001
BGA Ball Center to Chip Center Offset in X-direction	X1	0.000	-0.014	0.014	0.000	-0.001	0.001
BGA Ball Center to Chip Center Offset in Y-direction	Y1	0.000	-0.014	0.014	0.000	-0.001	0.001
Edge to Ball Center Distance along X	S1	0.864	0.834	0.894	0.034	0.033	0.035
Edge to Ball Center Distance along Y	S2	1.049	1.019	1.079	0.041	0.040	0.042

PACKAGE ORIENTATION IN CAMERA DESIGN

In a camera design, the package should be placed in a PCB so that the first clear pixel is located at the bottom left of the package (look at the package). This orientation will ensure

that the image captured using a lens will be oriented correctly.

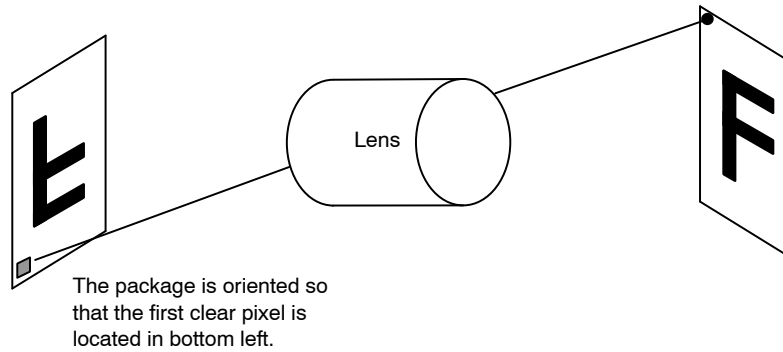


Figure 52. Image Orientation with Relation to Camera Lens

The package pin locations after the sensor has been oriented correctly can be shown below.

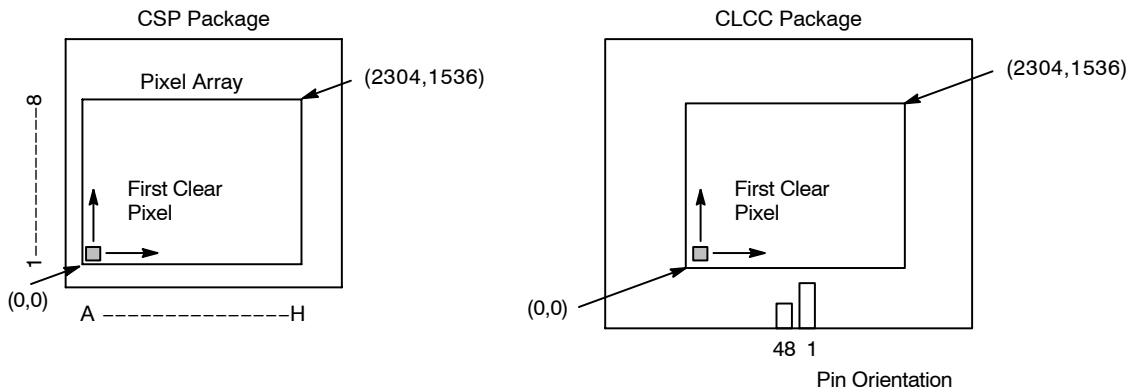


Figure 53. First Clear Pixel and Pin Location
(Looking Down on Cover Glass)

A-Pix is a trademark trademarks of Semiconductor Components Industries, LLC (SCILLC) or its subsidiaries in the United States and/or other countries. All other brand names and product names appearing in this document are registered trademarks or trademarks of their respective holders.

ON Semiconductor and are trademarks of Semiconductor Components Industries, LLC dba ON Semiconductor or its subsidiaries in the United States and/or other countries. ON Semiconductor owns the rights to a number of patents, trademarks, copyrights, trade secrets, and other intellectual property. A listing of ON Semiconductor's product/patent coverage may be accessed at www.onsemi.com/site/pdf/Patent-Marking.pdf. ON Semiconductor reserves the right to make changes without further notice to any products herein. ON Semiconductor makes no warranty, representation or guarantee regarding the suitability of its products for any particular purpose, nor does ON Semiconductor assume any liability arising out of the application or use of any product or circuit, and specifically disclaims any and all liability, including without limitation special, consequential or incidental damages. Buyer is responsible for its products and applications using ON Semiconductor products, including compliance with all laws, regulations and safety requirements or standards, regardless of any support or applications information provided by ON Semiconductor. "Typical" parameters which may be provided in ON Semiconductor data sheets and/or specifications can and do vary in different applications and actual performance may vary over time. All operating parameters, including "Typicals" must be validated for each customer application by customer's technical experts. ON Semiconductor does not convey any license under its patent rights nor the rights of others. ON Semiconductor products are not designed, intended, or authorized for use as a critical component in life support systems or any FDA Class 3 medical devices with a same or similar classification in a foreign jurisdiction or any devices intended for implantation in the human body. Should Buyer purchase or use ON Semiconductor products for any such unintended or unauthorized application, Buyer shall indemnify and hold ON Semiconductor and its officers, employees, subsidiaries, affiliates, and distributors harmless against all claims, costs, damages, and expenses, and reasonable attorney fees arising out of, directly or indirectly, any claim of personal injury or death associated with such unintended or unauthorized use, even if such claim alleges that ON Semiconductor was negligent regarding the design or manufacture of the part. ON Semiconductor is an Equal Opportunity/Affirmative Action Employer. This literature is subject to all applicable copyright laws and is not for resale in any manner.

PUBLICATION ORDERING INFORMATION

LITERATURE FULFILLMENT:
Literature Distribution Center for ON Semiconductor
19521 E. 32nd Pkwy, Aurora, Colorado 80011 USA
Phone: 303-675-2175 or 800-344-3860 Toll Free USA/Canada
Fax: 303-675-2176 or 800-344-3867 Toll Free USA/Canada
Email: orderlit@onsemi.com

N. American Technical Support: 800-282-9855 Toll Free USA/Canada
Europe, Middle East and Africa Technical Support:
Phone: 421 33 790 2910
Japan Customer Focus Center
Phone: 81-3-5817-1050

ON Semiconductor Website: www.onsemi.com
Order Literature: <http://www.onsemi.com/orderlit>
For additional information, please contact your local Sales Representative