



SANYO Semiconductors

**DATA SHEET**

# L78M00T Series — 5 to 24V 0.5A 3-Pin Voltage Regulators

Monolithic Linear IC

**Features**

- Output voltage  

<del>L78M05T : 5V</del>	L78M06T : 6V	L78M07T : 7V
L78M08T : 8V	L78M09T : 9V	L78M10T : 10V
L78M12T : 12V	L78M15T : 15V	L78M18T : 18V
L78M20T : 20V	L78M24T : 24V	
- 500mA output.
- On-chip thermal protector.
- On-chip overcurrent limiter.
- On-chip ASO protector.
- Small-sized power package TP-3H permitting the equipment to be made compact.
- The allowable power dissipation can be increased by being surface-mounted on the board.
- Capable of being mounted in a variety of methods because of various lead forming versions available.

**Specifications**

[Common to L78M00T series]

**Maximum Ratings** at Ta=25°C

Parameter	Symbol	Conditions	Ratings	Unit
Maximum supply voltage	VCC max	Pin 1	35	V
Allowable power dissipation	Pd max	No fin	1.0	W
Operating temperature	Topr		-20 to +80	°C
Storage temperature	Tstg		-40 to +150	°C

- Any and all SANYO products described or contained herein do not have specifications that can handle applications that require extremely high levels of reliability, such as life-support systems, aircraft's control systems, or other applications whose failure can be reasonably expected to result in serious physical and/or material damage. Consult with your SANYO representative nearest you before using any SANYO products described or contained herein in such applications.
- SANYO assumes no responsibility for equipment failures that result from using products at values that exceed, even momentarily, rated values (such as maximum ratings, operating condition ranges, or other parameters) listed in products specifications of any and all SANYO products described or contained herein.

**SANYO Electric Co., Ltd. Semiconductor Company**

TOKYO OFFICE Tokyo Bldg., 1-10, 1 Chome, Ueno, Taito-ku, TOKYO, 110-8534 JAPAN

[L78M05T]

**Recommended Operating Conditions** at  $T_a=25^\circ\text{C}$ 

Parameter	Symbol	Conditions	Ratings	Unit
Input voltage	$V_{IN}$		7.5 to 20.0	V
Output current	$I_{OUT}$		5 to 500	mA

**Operating Characteristics** at  $T_a=25^\circ\text{C}$ ,  $V_{IN}=10\text{V}$ ,  $I_{OUT}=350\text{mA}$ , See specified Test Circuit.

Parameter	Symbol	Conditions	Ratings			Unit
			min	typ	max	
Output voltage	$V_{OUT}$	$T_j=25^\circ\text{C}$	4.8	5.0	5.2	V
Line regulation	$\Delta V_{O \text{ line}}$	$T_j=25^\circ\text{C}$ , $7\text{V} \leq V_{IN} \leq 25\text{V}$ , $I_{OUT}=200\text{mA}$		3.0	50	mV
		$T_j=25^\circ\text{C}$ , $8\text{V} \leq V_{IN} \leq 20\text{V}$ , $I_{OUT}=200\text{mA}$		1.0	25	mV
Load regulation	$\Delta V_{O \text{ load}}$	$T_j=25^\circ\text{C}$ , $5\text{mA} \leq I_{OUT} \leq 500\text{mA}$			100	mV
		$T_j=25^\circ\text{C}$ , $5\text{mA} \leq I_{OUT} \leq 200\text{mA}$			50	mV
Output voltage	$V_{OUT}$	$7\text{V} \leq V_{IN} \leq 20\text{V}$ , $5\text{mA} \leq I_{OUT} \leq 350\text{mA}$	4.75		5.25	V
Current dissipation	$I_{CC}$	$T_j=25^\circ\text{C}$		4.5	6.0	mA
Current dissipation variation (Line)	$\Delta I_{CC \text{ line}}$	$8\text{V} \leq V_{IN} \leq 20\text{V}$ , $I_{OUT}=200\text{mA}$			0.8	mA
Current dissipation variation (Load)	$\Delta I_{CC \text{ load}}$	$5\text{mA} \leq I_{OUT} \leq 350\text{mA}$			0.5	mA
Output noise voltage	$V_{NO}$	$10\text{Hz} \leq f \leq 100\text{kHz}$		40		$\mu\text{V}$
Ripple rejection	Rrej	$f=120\text{Hz}$ , $8\text{V} \leq V_{IN} \leq 19\text{V}$ , $T_j=25^\circ\text{C}$ , $I_{OUT}=100\text{mA}$	62			dB
		$f=120\text{Hz}$ , $8\text{V} \leq V_{IN} \leq 19\text{V}$ , $T_j=25^\circ\text{C}$ , $I_{OUT}=300\text{mA}$	62	80		dB
Minimum input-output voltage dropout	$V_{drop}$	$I_{OUT}=350\text{mA}$		2.0		V
Short current	$I_{OS}$	$T_j=25^\circ\text{C}$ , $V_{IN}=35\text{V}$ , to GND		300		mA
Peak output current	$I_{OP}$	$T_j=25^\circ\text{C}$		0.7		A

[L78M06T]

**Recommended Operating Conditions** at  $T_a=25^\circ\text{C}$ 

Parameter	Symbol	Conditions	Ratings	Unit
Input voltage	$V_{IN}$		8.5 to 21	V
Output current	$I_{OUT}$		5 to 500	mA

**Operating Characteristics** at  $T_a=25^\circ\text{C}$ ,  $V_{IN}=11\text{V}$ ,  $I_{OUT}=350\text{mA}$ , See specified Test Circuit.

Parameter	Symbol	Conditions	Ratings			Unit
			min	typ	max	
Output voltage	$V_{OUT}$	$T_j=25^\circ\text{C}$	5.75	6.0	6.25	V
Line regulation	$\Delta V_{O \text{ line}}$	$T_j=25^\circ\text{C}$ , $8\text{V} \leq V_{IN} \leq 25\text{V}$ , $I_{OUT}=200\text{mA}$		5.0	60	mV
		$T_j=25^\circ\text{C}$ , $9\text{V} \leq V_{IN} \leq 20\text{V}$ , $I_{OUT}=200\text{mA}$		1.5	30	mV
Load regulation	$\Delta V_{O \text{ load}}$	$T_j=25^\circ\text{C}$ , $5\text{mA} \leq I_{OUT} \leq 500\text{mA}$			120	mV
		$T_j=25^\circ\text{C}$ , $5\text{mA} \leq I_{OUT} \leq 200\text{mA}$			60	mV
Output voltage	$V_{OUT}$	$8\text{V} \leq V_{IN} \leq 21\text{V}$ , $5\text{mA} \leq I_{OUT} \leq 350\text{mA}$	5.7		6.3	V
Current dissipation	$I_{CC}$	$T_j=25^\circ\text{C}$		4.5	6.0	mA
Current dissipation variation (Line)	$\Delta I_{CC \text{ line}}$	$9\text{V} \leq V_{IN} \leq 25\text{V}$ , $I_{OUT}=200\text{mA}$			0.8	mA
Current dissipation variation (Load)	$\Delta I_{CC \text{ load}}$	$5\text{mA} \leq I_{OUT} \leq 350\text{mA}$			0.5	mA
Output noise voltage	$V_{NO}$	$10\text{Hz} \leq f \leq 100\text{kHz}$		45		$\mu\text{V}$
Ripple rejection	Rrej	$f=120\text{Hz}$ , $9\text{V} \leq V_{IN} \leq 20\text{V}$ , $T_j=25^\circ\text{C}$ , $I_{OUT}=100\text{mA}$	59			dB
		$f=120\text{Hz}$ , $9\text{V} \leq V_{IN} \leq 20\text{V}$ , $T_j=25^\circ\text{C}$ , $I_{OUT}=300\text{mA}$	59	80		dB
Minimum input-output voltage dropout	$V_{drop}$	$I_{OUT}=350\text{mA}$		2.0		V
Short current	$I_{OS}$	$T_j=25^\circ\text{C}$ , $V_{IN}=35\text{V}$ , to GND		300		mA
Peak output current	$I_{OP}$	$T_j=25^\circ\text{C}$		0.7		A

[L78M07T]

**Recommended Operating Conditions** at  $T_a=25^\circ\text{C}$ 

Parameter	Symbol	Conditions	Ratings	Unit
Input voltage	$V_{IN}$		9.5 to 22	V
Output current	$I_{OUT}$		5 to 500	mA

**Operating Characteristics** at  $T_a=25^\circ\text{C}$ ,  $V_{IN}=12\text{V}$ ,  $I_{OUT}=350\text{mA}$ , See specified Test Circuit.

Parameter	Symbol	Conditions	Ratings			Unit
			min	typ	max	
Output voltage	$V_{OUT}$	$T_j=25^\circ\text{C}$	6.72	7.0	7.28	V
Line regulation	$\Delta V_O$ line	$T_j=25^\circ\text{C}$ , $9\text{V}\leq V_{IN}\leq 25\text{V}$ , $I_{OUT}=200\text{mA}$		6.0	60	mV
		$T_j=25^\circ\text{C}$ , $10\text{V}\leq V_{IN}\leq 20\text{V}$ , $I_{OUT}=200\text{mA}$		2.0	30	mV
Load regulation	$\Delta V_O$ load	$T_j=25^\circ\text{C}$ , $5\text{mA}\leq I_{OUT}\leq 500\text{mA}$			140	mV
		$T_j=25^\circ\text{C}$ , $5\text{mA}\leq I_{OUT}\leq 200\text{mA}$			70	mV
Output voltage	$V_{OUT}$	$9\text{V}\leq V_{IN}\leq 22\text{V}$ , $5\text{mA}\leq I_{OUT}\leq 350\text{mA}$	6.6		7.4	V
Current dissipation	$I_{CC}$	$T_j=25^\circ\text{C}$		4.6	6.0	mA
Current dissipation variation (Line)	$\Delta I_{CC}$ line	$10\text{V}\leq V_{IN}\leq 25\text{V}$ , $I_{OUT}=200\text{mA}$			0.8	mA
Current dissipation variation (Load)	$\Delta I_{CC}$ load	$5\text{mA}\leq I_{OUT}\leq 350\text{mA}$			0.5	mA
Output noise voltage	$V_{NO}$	$10\text{Hz}\leq f\leq 100\text{kHz}$		48		$\mu\text{V}$
Ripple rejection	Rrej	$f=120\text{Hz}$ , $10\text{V}\leq V_{IN}\leq 21\text{V}$ , $T_j=25^\circ\text{C}$ , $I_{OUT}=100\text{mA}$	58			dB
		$f=120\text{Hz}$ , $10\text{V}\leq V_{IN}\leq 21\text{V}$ , $T_j=25^\circ\text{C}$ , $I_{OUT}=300\text{mA}$	58	80		dB
Minimum input-output voltage dropout	$V_{drop}$	$I_{OUT}=350\text{mA}$		2.0		V
Short current	$I_{OS}$	$T_j=25^\circ\text{C}$ , $V_{IN}=35\text{V}$ , to GND		300		mA
Peak output current	$I_{OP}$	$T_j=25^\circ\text{C}$		0.7		A

[L78M08T]

**Recommended Operating Conditions** at  $T_a=25^\circ\text{C}$ 

Parameter	Symbol	Conditions	Ratings	Unit
Input voltage	$V_{IN}$		10.5 to 23	V
Output current	$I_{OUT}$		5 to 500	mA

**Operating Characteristics** at  $T_a=25^\circ\text{C}$ ,  $V_{IN}=15\text{V}$ ,  $I_{OUT}=350\text{mA}$ , See specified Test Circuit.

Parameter	Symbol	Conditions	Ratings			Unit
			min	typ	max	
Output voltage	$V_{OUT}$	$T_j=25^\circ\text{C}$	7.7	8.0	8.3	V
Line regulation	$\Delta V_O$ line	$T_j=25^\circ\text{C}$ , $10.5\text{V}\leq V_{IN}\leq 25\text{V}$ , $I_{OUT}=200\text{mA}$		6.0	60	mV
		$T_j=25^\circ\text{C}$ , $11\text{V}\leq V_{IN}\leq 20\text{V}$ , $I_{OUT}=200\text{mA}$		2.0	30	mV
Load regulation	$\Delta V_O$ load	$T_j=25^\circ\text{C}$ , $5\text{mA}\leq I_{OUT}\leq 500\text{mA}$			160	mV
		$T_j=25^\circ\text{C}$ , $5\text{mA}\leq I_{OUT}\leq 200\text{mA}$			80	mV
Output voltage	$V_{OUT}$	$10.5\text{V}\leq V_{IN}\leq 23\text{V}$ , $5\text{mA}\leq I_{OUT}\leq 350\text{mA}$	7.6		8.4	V
Current dissipation	$I_{CC}$	$T_j=25^\circ\text{C}$		4.6	6.0	mA
Current dissipation variation (Line)	$\Delta I_{CC}$ line	$11\text{V}\leq V_{IN}\leq 25\text{V}$ , $I_{OUT}=200\text{mA}$			0.8	mA
Current dissipation variation (Load)	$\Delta I_{CC}$ load	$5\text{mA}\leq I_{OUT}\leq 350\text{mA}$			0.5	mA
Output noise voltage	$V_{NO}$	$10\text{Hz}\leq f\leq 100\text{kHz}$		50		$\mu\text{V}$
Ripple rejection	Rrej	$f=120\text{Hz}$ , $11.5\text{V}\leq V_{IN}\leq 22\text{V}$ , $T_j=25^\circ\text{C}$ , $I_{OUT}=100\text{mA}$	56			dB
		$f=120\text{Hz}$ , $11.5\text{V}\leq V_{IN}\leq 22\text{V}$ , $T_j=25^\circ\text{C}$ , $I_{OUT}=300\text{mA}$	56	80		dB
Minimum input-output voltage dropout	$V_{drop}$	$I_{OUT}=350\text{mA}$		2.0		V
Short current	$I_{OS}$	$T_j=25^\circ\text{C}$ , $V_{IN}=35\text{V}$ , to GND		300		mA
Peak output current	$I_{OP}$	$T_j=25^\circ\text{C}$		0.7		A

[L78M09T]

**Recommended Operating Conditions** at  $T_a=25^\circ\text{C}$ 

Parameter	Symbol	Conditions	Ratings	Unit
Input voltage	$V_{IN}$		12 to 25	V
Output current	$I_{OUT}$		5 to 500	mA

**Operating Characteristics** at  $T_a=25^\circ\text{C}$ ,  $V_{IN}=16\text{V}$ ,  $I_{OUT}=350\text{mA}$ , See specified Test Circuit.

Parameter	Symbol	Conditions	Ratings			Unit
			min	typ	max	
Output voltage	$V_{OUT}$	$T_j=25^\circ\text{C}$	8.6	9.0	9.4	V
Line regulation	$\Delta V_{O \text{ line}}$	$T_j=25^\circ\text{C}$ , $11.5\text{V} \leq V_{IN} \leq 25\text{V}$ , $I_{OUT}=200\text{mA}$		6.0	100	mV
		$T_j=25^\circ\text{C}$ , $12\text{V} \leq V_{IN} \leq 20\text{V}$ , $I_{OUT}=200\text{mA}$		2.0	50	mV
Load regulation	$\Delta V_{O \text{ load}}$	$T_j=25^\circ\text{C}$ , $5\text{mA} \leq I_{OUT} \leq 500\text{mA}$			180	mV
		$T_j=25^\circ\text{C}$ , $5\text{mA} \leq I_{OUT} \leq 200\text{mA}$			90	mV
Output voltage	$V_{OUT}$	$11.5\text{V} \leq V_{IN} \leq 24\text{V}$ , $5\text{mA} \leq I_{OUT} \leq 350\text{mA}$	8.5		9.5	V
Current dissipation	$I_{CC}$	$T_j=25^\circ\text{C}$		4.6	6.0	mA
Current dissipation variation (Line)	$\Delta I_{CC \text{ line}}$	$12.5\text{V} \leq V_{IN} \leq 25\text{V}$ , $I_{OUT}=200\text{mA}$			0.8	mA
Current dissipation variation (Load)	$\Delta I_{CC \text{ load}}$	$5\text{mA} \leq I_{OUT} \leq 350\text{mA}$			0.5	mA
Output noise voltage	$V_{NO}$	$10\text{Hz} \leq f \leq 100\text{kHz}$		60		$\mu\text{V}$
Ripple rejection	Rrej	$f=120\text{Hz}$ , $12\text{V} \leq V_{IN} \leq 23\text{V}$ , $T_j=25^\circ\text{C}$ , $I_{OUT}=100\text{mA}$	56			dB
		$f=120\text{Hz}$ , $12\text{V} \leq V_{IN} \leq 23\text{V}$ , $T_j=25^\circ\text{C}$ , $I_{OUT}=300\text{mA}$	56	80		dB
Minimum input-output voltage dropout	$V_{drop}$	$I_{OUT}=350\text{mA}$		2.0		V
Short current	$I_{OS}$	$T_j=25^\circ\text{C}$ , $V_{IN}=35\text{V}$ , to GND		300		mA
Peak output current	$I_{OP}$	$T_j=25^\circ\text{C}$		0.7		A

[L78M10T]

**Recommended Operating Conditions** at  $T_a=25^\circ\text{C}$ 

Parameter	Symbol	Conditions	Ratings	Unit
Input voltage	$V_{IN}$		13 to 25	V
Output current	$I_{OUT}$		5 to 500	mA

**Operating Characteristics** at  $T_a=25^\circ\text{C}$ ,  $V_{IN}=17\text{V}$ ,  $I_{OUT}=350\text{mA}$ , See specified Test Circuit.

Parameter	Symbol	Conditions	Ratings			Unit
			min	typ	max	
Output voltage	$V_{OUT}$	$T_j=25^\circ\text{C}$	9.6	10.0	10.4	V
Line regulation	$\Delta V_{O \text{ line}}$	$T_j=25^\circ\text{C}$ , $12.5\text{V} \leq V_{IN} \leq 25\text{V}$ , $I_{OUT}=200\text{mA}$		7.0	100	mV
		$T_j=25^\circ\text{C}$ , $13\text{V} \leq V_{IN} \leq 22\text{V}$ , $I_{OUT}=200\text{mA}$		2.0	50	mV
Load regulation	$\Delta V_{O \text{ load}}$	$T_j=25^\circ\text{C}$ , $5\text{mA} \leq I_{OUT} \leq 500\text{mA}$			200	mV
		$T_j=25^\circ\text{C}$ , $5\text{mA} \leq I_{OUT} \leq 200\text{mA}$			100	mV
Output voltage	$V_{OUT}$	$12.5\text{V} \leq V_{IN} \leq 25\text{V}$ , $5\text{mA} \leq I_{OUT} \leq 350\text{mA}$	9.5		10.5	V
Current dissipation	$I_{CC}$	$T_j=25^\circ\text{C}$		4.6	6.0	mA
Current dissipation variation (Line)	$\Delta I_{CC \text{ line}}$	$13.5\text{V} \leq V_{IN} \leq 25\text{V}$ , $I_{OUT}=200\text{mA}$			0.8	mA
Current dissipation variation (Load)	$\Delta I_{CC \text{ load}}$	$5\text{mA} \leq I_{OUT} \leq 350\text{mA}$			0.5	mA
Output noise voltage	$V_{NO}$	$10\text{Hz} \leq f \leq 100\text{kHz}$		65		$\mu\text{V}$
Ripple rejection	Rrej	$f=120\text{Hz}$ , $13\text{V} \leq V_{IN} \leq 25\text{V}$ , $T_j=25^\circ\text{C}$ , $I_{OUT}=100\text{mA}$	55			dB
		$f=120\text{Hz}$ , $13\text{V} \leq V_{IN} \leq 25\text{V}$ , $T_j=25^\circ\text{C}$ , $I_{OUT}=300\text{mA}$	55	80		dB
Minimum input-output voltage dropout	$V_{drop}$	$I_{OUT}=350\text{mA}$		2.0		V
Short current	$I_{OS}$	$T_j=25^\circ\text{C}$ , $V_{IN}=35\text{V}$ , to GND		300		mA
Peak output current	$I_{OP}$	$T_j=25^\circ\text{C}$		0.7		A

[L78M12T]

**Recommended Operating Conditions** at  $T_a=25^\circ\text{C}$ 

Parameter	Symbol	Conditions	Ratings	Unit
Input voltage	$V_{IN}$		15 to 25	V
Output current	$I_{OUT}$		5 to 500	mA

**Operating Characteristics** at  $T_a=25^\circ\text{C}$ ,  $V_{IN}=19\text{V}$ ,  $I_{OUT}=350\text{mA}$ , See specified Test Circuit.

Parameter	Symbol	Conditions	Ratings			Unit
			min	typ	max	
Output voltage	$V_{OUT}$	$T_j=25^\circ\text{C}$	11.5	12.0	12.5	V
Line regulation	$\Delta V_{O \text{ line}}$	$T_j=25^\circ\text{C}$ , $14.5\text{V} \leq V_{IN} \leq 30\text{V}$ , $I_{OUT}=200\text{mA}$		8.0	100	mV
		$T_j=25^\circ\text{C}$ , $16\text{V} \leq V_{IN} \leq 25\text{V}$ , $I_{OUT}=200\text{mA}$		2.0	50	mV
Load regulation	$\Delta V_{O \text{ load}}$	$T_j=25^\circ\text{C}$ , $5\text{mA} \leq I_{OUT} \leq 500\text{mA}$			240	mV
		$T_j=25^\circ\text{C}$ , $5\text{mA} \leq I_{OUT} \leq 200\text{mA}$			120	mV
Output voltage	$V_{OUT}$	$14.5\text{V} \leq V_{IN} \leq 27\text{V}$ , $5\text{mA} \leq I_{OUT} \leq 350\text{mA}$	11.4		12.6	V
Current dissipation	$I_{CC}$	$T_j=25^\circ\text{C}$		4.8	6.0	mA
Current dissipation variation (Line)	$\Delta I_{CC \text{ line}}$	$15\text{V} \leq V_{IN} \leq 30\text{V}$ , $I_{OUT}=200\text{mA}$			0.8	mA
Current dissipation variation (Load)	$\Delta I_{CC \text{ load}}$	$5\text{mA} \leq I_{OUT} \leq 350\text{mA}$			0.5	mA
Output noise voltage	$V_{NO}$	$10\text{Hz} \leq f \leq 100\text{kHz}$		75		$\mu\text{V}$
Ripple rejection	Rrej	$f=120\text{Hz}$ , $15\text{V} \leq V_{IN} \leq 25\text{V}$ , $T_j=25^\circ\text{C}$ , $I_{OUT}=100\text{mA}$	55			dB
		$f=120\text{Hz}$ , $15\text{V} \leq V_{IN} \leq 25\text{V}$ , $T_j=25^\circ\text{C}$ , $I_{OUT}=300\text{mA}$	55	80		dB
Minimum input-output voltage dropout	$V_{drop}$	$I_{OUT}=350\text{mA}$		2.0		V
Short current	$I_{OS}$	$T_j=25^\circ\text{C}$ , $V_{IN}=35\text{V}$ , to GND		300		mA
Peak output current	$I_{OP}$	$T_j=25^\circ\text{C}$		0.7		A

[L78M15T]

**Recommended Operating Conditions** at  $T_a=25^\circ\text{C}$ 

Parameter	Symbol	Conditions	Ratings	Unit
Input voltage	$V_{IN}$		18 to 30	V
Output current	$I_{OUT}$		5 to 500	mA

**Operating Characteristics** at  $T_a=25^\circ\text{C}$ ,  $V_{IN}=23\text{V}$ ,  $I_{OUT}=350\text{mA}$ , See specified Test Circuit.

Parameter	Symbol	Conditions	Ratings			Unit
			min	typ	max	
Output voltage	$V_{OUT}$	$T_j=25^\circ\text{C}$	14.4	15.0	15.6	V
Line regulation	$\Delta V_{O \text{ line}}$	$T_j=25^\circ\text{C}$ , $17.5\text{V} \leq V_{IN} \leq 30\text{V}$ , $I_{OUT}=200\text{mA}$		10.0	100	mV
		$T_j=25^\circ\text{C}$ , $19\text{V} \leq V_{IN} \leq 30\text{V}$ , $I_{OUT}=200\text{mA}$		3.0	50	mV
Load regulation	$\Delta V_{O \text{ load}}$	$T_j=25^\circ\text{C}$ , $5\text{mA} \leq I_{OUT} \leq 500\text{mA}$			300	mV
		$T_j=25^\circ\text{C}$ , $5\text{mA} \leq I_{OUT} \leq 200\text{mA}$			150	mV
Output voltage	$V_{OUT}$	$17.5\text{V} \leq V_{IN} \leq 30\text{V}$ , $5\text{mA} \leq I_{OUT} \leq 350\text{mA}$	14.25		15.75	V
Current dissipation	$I_{CC}$	$T_j=25^\circ\text{C}$		4.8	6.0	mA
Current dissipation variation (Line)	$\Delta I_{CC \text{ line}}$	$17.5\text{V} \leq V_{IN} \leq 30\text{V}$ , $I_{OUT}=200\text{mA}$			0.8	mA
Current dissipation variation (Load)	$\Delta I_{CC \text{ load}}$	$5\text{mA} \leq I_{OUT} \leq 350\text{mA}$			0.5	mA
Output noise voltage	$V_{NO}$	$10\text{Hz} \leq f \leq 100\text{kHz}$		90		$\mu\text{V}$
Ripple rejection	Rrej	$f=120\text{Hz}$ , $18.5\text{V} \leq V_{IN} \leq 28.5\text{V}$ , $T_j=25^\circ\text{C}$ , $I_{OUT}=100\text{mA}$	54			dB
		$f=120\text{Hz}$ , $18.5\text{V} \leq V_{IN} \leq 28.5\text{V}$ , $T_j=25^\circ\text{C}$ , $I_{OUT}=300\text{mA}$	54	70		dB
Minimum input-output voltage dropout	$V_{drop}$	$I_{OUT}=350\text{mA}$		2.0		V
Short current	$I_{OS}$	$T_j=25^\circ\text{C}$ , $V_{IN}=35\text{V}$ , to GND		300		mA
Peak output current	$I_{OP}$	$T_j=25^\circ\text{C}$		0.7		A

[L78M18T]

**Recommended Operating Conditions** at  $T_a=25^\circ\text{C}$ 

Parameter	Symbol	Conditions	Ratings	Unit
Input voltage	$V_{IN}$		21 to 33	V
Output current	$I_{OUT}$		5 to 500	mA

**Operating Characteristics** at  $T_a=25^\circ\text{C}$ ,  $V_{IN}=27\text{V}$ ,  $I_{OUT}=350\text{mA}$ , See specified Test Circuit.

Parameter	Symbol	Conditions	Ratings			Unit
			min	typ	max	
Output voltage	$V_{OUT}$	$T_j=25^\circ\text{C}$	17.3	18.0	18.7	V
Line regulation	$\Delta V_O$ line	$T_j=25^\circ\text{C}$ , $21\text{V}\leq V_{IN}\leq 35\text{V}$ , $I_{OUT}=200\text{mA}$		10.0	100	mV
		$T_j=25^\circ\text{C}$ , $22\text{V}\leq V_{IN}\leq 35\text{V}$ , $I_{OUT}=200\text{mA}$		5.0	50	mV
Load regulation	$\Delta V_O$ load	$T_j=25^\circ\text{C}$ , $5\text{mA}\leq I_{OUT}\leq 500\text{mA}$			360	mV
		$T_j=25^\circ\text{C}$ , $5\text{mA}\leq I_{OUT}\leq 200\text{mA}$			180	mV
Output voltage	$V_{OUT}$	$21\text{V}\leq V_{IN}\leq 33\text{V}$ , $5\text{mA}\leq I_{OUT}\leq 350\text{mA}$	17.1		18.9	V
Current dissipation	$I_{CC}$	$T_j=25^\circ\text{C}$		4.9	6.0	mA
Current dissipation variation (Line)	$\Delta I_{CC}$ line	$21\text{V}\leq V_{IN}\leq 33\text{V}$ , $I_{OUT}=200\text{mA}$			0.8	mA
Current dissipation variation (Load)	$\Delta I_{CC}$ load	$5\text{mA}\leq I_{OUT}\leq 350\text{mA}$			0.5	mA
Output noise voltage	$V_{NO}$	$10\text{Hz}\leq f\leq 100\text{kHz}$		100		$\mu\text{V}$
Ripple rejection	Rrej	$f=120\text{Hz}$ , $22\text{V}\leq V_{IN}\leq 33\text{V}$ , $T_j=25^\circ\text{C}$ , $I_{OUT}=100\text{mA}$	53			dB
		$f=120\text{Hz}$ , $22\text{V}\leq V_{IN}\leq 33\text{V}$ , $T_j=25^\circ\text{C}$ , $I_{OUT}=300\text{mA}$	53	70		dB
Minimum input-output voltage dropout	$V_{drop}$	$I_{OUT}=350\text{mA}$		2.0		V
Short current	$I_{OS}$	$T_j=25^\circ\text{C}$ , $V_{IN}=35\text{V}$ , to GND		300		mA
Peak output current	$I_{OP}$	$T_j=25^\circ\text{C}$		0.7		A

[L78M20T]

**Recommended Operating Conditions** at  $T_a=25^\circ\text{C}$ 

Parameter	Symbol	Conditions	Ratings	Unit
Input voltage	$V_{IN}$		23 to 35	V
Output current	$I_{OUT}$		5 to 500	mA

**Operating Characteristics** at  $T_a=25^\circ\text{C}$ ,  $V_{IN}=29\text{V}$ ,  $I_{OUT}=350\text{mA}$ , See specified Test Circuit.

Parameter	Symbol	Conditions	Ratings			Unit
			min	typ	max	
Output voltage	$V_{OUT}$	$T_j=25^\circ\text{C}$	19.2	20.0	20.8	V
Line regulation	$\Delta V_O$ line	$T_j=25^\circ\text{C}$ , $23\text{V}\leq V_{IN}\leq 35\text{V}$ , $I_{OUT}=200\text{mA}$		10.0	100	mV
		$T_j=25^\circ\text{C}$ , $24\text{V}\leq V_{IN}\leq 35\text{V}$ , $I_{OUT}=200\text{mA}$		5.0	50	mV
Load regulation	$\Delta V_O$ load	$T_j=25^\circ\text{C}$ , $5\text{mA}\leq I_{OUT}\leq 500\text{mA}$			400	mV
		$T_j=25^\circ\text{C}$ , $5\text{mA}\leq I_{OUT}\leq 200\text{mA}$			200	mV
Output voltage	$V_{OUT}$	$23\text{V}\leq V_{IN}\leq 35\text{V}$ , $5\text{mA}\leq I_{OUT}\leq 350\text{mA}$	19.0		21.0	V
Current dissipation	$I_{CC}$	$T_j=25^\circ\text{C}$		4.9	6.0	mA
Current dissipation variation (Line)	$\Delta I_{CC}$ line	$23\text{V}\leq V_{IN}\leq 35\text{V}$ , $I_{OUT}=200\text{mA}$			0.8	mA
Current dissipation variation (Load)	$\Delta I_{CC}$ load	$5\text{mA}\leq I_{OUT}\leq 350\text{mA}$			0.5	mA
Output noise voltage	$V_{NO}$	$10\text{Hz}\leq f\leq 100\text{kHz}$		110		$\mu\text{V}$
Ripple rejection	Rrej	$f=120\text{Hz}$ , $24\text{V}\leq V_{IN}\leq 34\text{V}$ , $T_j=25^\circ\text{C}$ , $I_{OUT}=100\text{mA}$	53			dB
		$f=120\text{Hz}$ , $24\text{V}\leq V_{IN}\leq 34\text{V}$ , $T_j=25^\circ\text{C}$ , $I_{OUT}=300\text{mA}$	53	70		dB
Minimum input-output voltage dropout	$V_{drop}$	$I_{OUT}=350\text{mA}$		2.0		V
Short current	$I_{OS}$	$T_j=25^\circ\text{C}$ , $V_{IN}=35\text{V}$ , to GND		300		mA
Peak output current	$I_{OP}$	$T_j=25^\circ\text{C}$		0.7		A

[L78M24T]

**Recommended Operating Conditions** at  $T_a=25^\circ\text{C}$

Parameter	Symbol	Conditions	Ratings	Unit
Input voltage	$V_{IN}$		27 to 35	V
Output current	$I_{OUT}$		5 to 500	mA

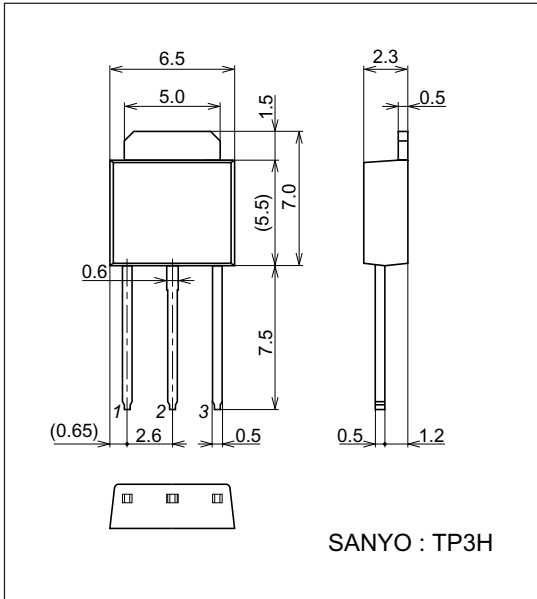
**Operating Characteristics** at  $T_a=25^\circ\text{C}$ ,  $V_{IN}=33\text{V}$ ,  $I_{OUT}=350\text{mA}$ , See specified Test Circuit.

Parameter	Symbol	Conditions	Ratings			Unit
			min	typ	max	
Output voltage	$V_{OUT}$	$T_j=25^\circ\text{C}$	23.0	24.0	25.0	V
Line regulation	$\Delta V_{O \text{ line}}$	$T_j=25^\circ\text{C}$ , $27\text{V} \leq V_{IN} \leq 35\text{V}$ , $I_{OUT}=200\text{mA}$		10.0	100	mV
		$T_j=25^\circ\text{C}$ , $28\text{V} \leq V_{IN} \leq 35\text{V}$ , $I_{OUT}=200\text{mA}$		5.0	50	mV
Load regulation	$\Delta V_{O \text{ load}}$	$T_j=25^\circ\text{C}$ , $5\text{mA} \leq I_{OUT} \leq 500\text{mA}$			480	mV
		$T_j=25^\circ\text{C}$ , $5\text{mA} \leq I_{OUT} \leq 200\text{mA}$			240	mV
Output voltage	$V_{OUT}$	$27\text{V} \leq V_{IN} \leq 35\text{V}$ , $5\text{mA} \leq I_{OUT} \leq 350\text{mA}$	22.8		25.2	V
Current dissipation	$I_{CC}$	$T_j=25^\circ\text{C}$		5.0	6.0	mA
Current dissipation variation (Line)	$\Delta I_{CC \text{ line}}$	$27\text{V} \leq V_{IN} \leq 35\text{V}$ , $I_{OUT}=200\text{mA}$			0.8	mA
Current dissipation variation (Load)	$\Delta I_{CC \text{ load}}$	$5\text{mA} \leq I_{OUT} \leq 350\text{mA}$			0.5	mA
Output noise voltage	$V_{NO}$	$10\text{Hz} \leq f \leq 100\text{kHz}$		170		$\mu\text{V}$
Ripple rejection	Rrej	$f=120\text{Hz}$ , $28\text{V} \leq V_{IN} \leq 35\text{V}$ , $T_j=25^\circ\text{C}$ , $I_{OUT}=100\text{mA}$	50			dB
		$f=120\text{Hz}$ , $28\text{V} \leq V_{IN} \leq 35\text{V}$ , $T_j=25^\circ\text{C}$ , $I_{OUT}=300\text{mA}$	50	70		dB
Minimum input-output voltage dropout	$V_{drop}$	$I_{OUT}=350\text{mA}$		2.0		V
Short current	$I_{OS}$	$T_j=25^\circ\text{C}$ , $V_{IN}=35\text{V}$ , to GND		300		mA
Peak output current	$I_{OP}$	$T_j=25^\circ\text{C}$		0.7		A

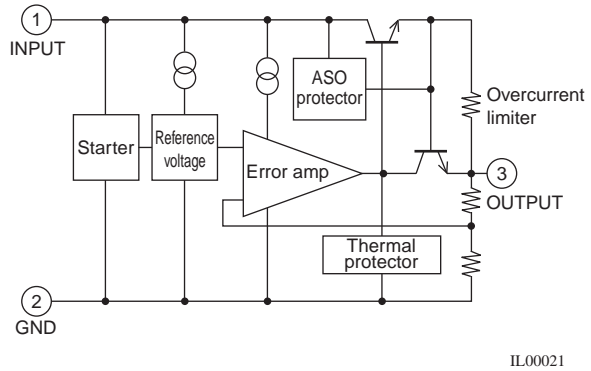
**Package Dimensions**

unit : mm

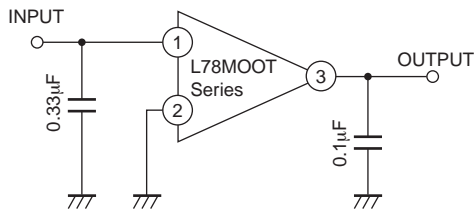
3110A



**Equivalent Circuit**

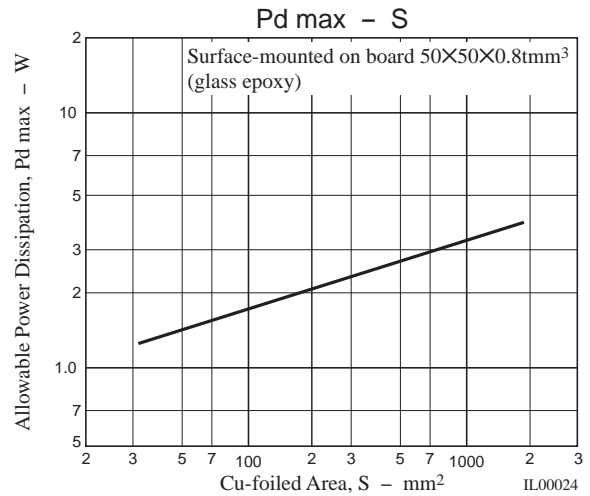
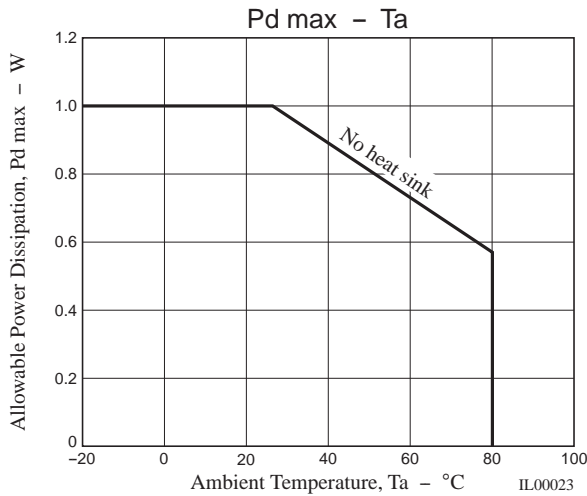


**Specified Test Circuit** (Common to L78M00T series)

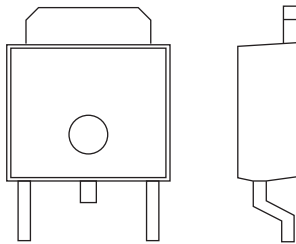


The allowable power dissipation ( $P_d \max$ ) is 1.0W ( $T_a=25^\circ\text{C}$ ) with no fin attached. When the L78M00T series are surface-mounted on a hybrid IC board or printed circuit board, a high allowable power dissipation can be obtained, though they are placed in a small-sized package.

Shown below is the relationship between the Cu-foiled area and the allowable power dissipation when the L78M00T series are surface-mounted on a glass epoxy board ( $50\times 50\times 0.8\text{mm}^3$ ).

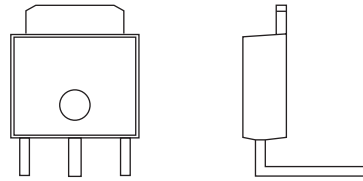


### Lead Formings



IL00025

FA formings



IL00026

LR formings

- Specifications of any and all SANYO products described or contained herein stipulate the performance, characteristics, and functions of the described products in the independent state, and are not guarantees of the performance, characteristics, and functions of the described products as mounted in the customer's products or equipment. To verify symptoms and states that cannot be evaluated in an independent device, the customer should always evaluate and test devices mounted in the customer's products or equipment.
- SANYO Electric Co., Ltd. strives to supply high-quality high-reliability products. However, any and all semiconductor products fail with some probability. It is possible that these probabilistic failures could give rise to accidents or events that could endanger human lives, that could give rise to smoke or fire, or that could cause damage to other property. When designing equipment, adopt safety measures so that these kinds of accidents or events cannot occur. Such measures include but are not limited to protective circuits and error prevention circuits for safe design, redundant design, and structural design.
- In the event that any or all SANYO products (including technical data, services) described or contained herein are controlled under any of applicable local export control laws and regulations, such products must not be exported without obtaining the export license from the authorities concerned in accordance with the above law.
- No part of this publication may be reproduced or transmitted in any form or by any means, electronic or mechanical, including photocopying and recording, or any information storage or retrieval system, or otherwise, without the prior written permission of SANYO Electric Co., Ltd.
- Any and all information described or contained herein are subject to change without notice due to product/technology improvement, etc. When designing equipment, refer to the "Delivery Specification" for the SANYO product that you intend to use.
- Information (including circuit diagrams and circuit parameters) herein is for example only; it is not guaranteed for volume production. SANYO believes information herein is accurate and reliable, but no guarantees are made or implied regarding its use or any infringements of intellectual property rights or other rights of third parties.

This catalog provides information as of February, 2006. Specifications and information herein are subject to change without notice.