

LM2639 5-Bit Programmable, High Frequency Multi-phase PWM Controller

Check for Samples: [LM2639](#)

FEATURES

- Ultra Fast Load Transient Response
- Enables all Surface-Mount-Design
- Selectable 2, 3, 4 Phase Operation
- Clock Frequency from 40 kHz to 10 MHz
- Precision Load Current Sharing
- 5-bit Programmable from 3.5V to 1.3V
- VID Code Compatible to VRM 8.X Specification
- Output Voltage is 2.0V for VID Code 11111
- Selectable Internal or External Clock
- Digital 16-Step Soft Start
- Input Under-Voltage Lock-Out, Over-Current Protection

APPLICATIONS

- Servers and Workstations
- High Current, Ultra-Fast Transient Microprocessors

DESCRIPTION

The LM2639 provides an attractive solution for power supplies of high power microprocessors (such as Pentium II™, M II™, K6™-2, K6™-3, etc.) exhibiting ultra fast load transients. Compared to a conventional single-phase supply, an LM2639 based multi-phase supply distributes the thermal and electrical loading among components in multiple phases and greatly reduces the corresponding stress in each component. The LM2639 can be programmed to control either a 3-phase converter or a 4-phase converter. Phase shift among the phases is 120° in the case of three phase and 90° with four-phase. Because the power channels are out of phase, there can be significant ripple cancellation for both the input and output current, resulting in reduced input and output capacitor size. Due to the nominal operating frequency of 2 MHz per phase, the size of the output inductors can be greatly reduced which results in a much faster load transient response and a dramatically shrunk output capacitor bank. Microprocessor power supplies with all surface mount components can be easily built.

The internal high speed transconductance amplifier specifies good dynamic performance. The output drive voltages can be adjusted through a resistor divider to control switching loss in the external FETs.

The internal master clock frequency of up to 8 MHz is set by an external reference resistor. An external clock of 10 MHz can also be used to drive the chip to achieve frequency control and multi-chip operation.

The LM2639 also provides input under-voltage lock-out with hysteresis and input over-current protection.



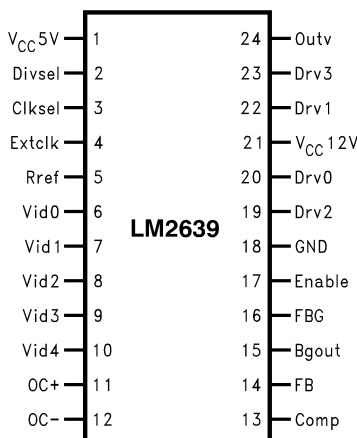
Please be aware that an important notice concerning availability, standard warranty, and use in critical applications of Texas Instruments semiconductor products and disclaimers thereto appears at the end of this data sheet.

M II is a trademark of Cyrix Corporation.

Pentium II is a trademark of Intel Corporation.

All other trademarks are the property of their respective owners.

Pin Configuration



24-Pin Plastic SOIC (Top View)
See Package Number DW0024B



These devices have limited built-in ESD protection. The leads should be shorted together or the device placed in conductive foam during storage or handling to prevent electrostatic damage to the MOS gates.

Absolute Maximum Ratings ⁽¹⁾⁽²⁾

V _{CC} 5V	7V
V _{CC} 12V	20V
Junction Temperature	125°C
Power Dissipation ⁽³⁾	1.6W
Storage Temperature	-65°C to +150°C
ESD Susceptibility ⁽⁴⁾	2 kV
Soldering Time, Temperature	10 sec., 300°C

- (1) **Absolute Maximum Ratings** are limits beyond which damage to the device may occur. **Operating ratings** do not imply specified performance limits.
- (2) If Military/Aerospace specified devices are required, please contact the Texas Instruments Sales Office / Distributors for availability and specifications.
- (3) Maximum allowable power dissipation is a function of the maximum junction temperature, T_{JMAX}, the junction-to-ambient thermal resistance, θ_{JA}, and the ambient temperature, T_A. The maximum allowable power dissipation at any ambient temperature is calculated using: $P_{MAX} = (T_{JMAX} - T_A) / \theta_{JA}$. The junction-to-ambient thermal resistance, θ_{JA}, for LM2639 is 78°C/W. For a T_{JMAX} of 150°C and T_A of 25°C, the maximum allowable power dissipation is 1.6W.
- (4) ESD ratings for pins DRV0, DRV1, DRV2 and DRV3 is 1kV. ESD rating for all other pins is 2kV.

Operating Ratings ⁽¹⁾

V _{CC}	4.75V to 5.25V
Junction Temperature Range	0°C to 70°C

- (1) **Absolute Maximum Ratings** are limits beyond which damage to the device may occur. **Operating ratings** do not imply specified performance limits.

Electrical Characteristics

$V_{CC5V} = 5V$, $V_{CC12V} = 12V$ unless otherwise specified. Typical and limits appearing in plain type apply for $T_A = T_J = +25^\circ C$. Limits appearing in **boldface** type apply over the entire operating temperature range.

Symbol	Parameter	Conditions	Min	Typ	Max	Units	
V_{CC5V}	V_{CC5V} Pin Voltage		4.5	5.0	5.5	V	
V_{CC12V}	V_{CC12V} Pin Voltage		10.0	12.0	18.0	V	
V_{DACOUT}	5-bit DAC Output Voltage	See ⁽¹⁾	<i>N</i> -1%	<i>N</i>	<i>N</i> +1%	V	
			<i>N</i> -1.5%	<i>N</i>	<i>N</i> +1.5%		
I_{CC12V}	Quiescent V_{CC12V} Current	Enable = 5V, VID = 00001, DRV Outputs Floating		1.3	3	mA	
I_{CC5V}	Operating V_{CC5V} Current	$V_{OUT} = 2.00V$		4.3	8	mA	
V_{REF}	Rref Pin Voltage			1.225		V	
V_{INL}	Vid0:4, Clksel, Divsel, and Enable Pins Logic Threshold	Logic Low ⁽²⁾		1.8	1.5	V	
V_{INH}		Logic High ⁽³⁾	3.5	2.8		V	
I_{INL}	Vid0:4 and Enable Pins Internal Pullup Current	The Corresponding Pin = 0V		60	100	140	μA
	Clksel, Divsel Pins Internal Pullup Current			-10	0	10	
	Gate Driver Resistance When Sinking Current	$I_{SINK} = 50 \mu A$, $V_{CC12V} = 14V$		12		Ω	
V_{DRV}	DRV0:3 Output Voltage	$I_{DRV} = 10 \text{ mA}$, $V_{CC12V} = 14V$, OutV = 12V or 5V	OutV - 0.3V	OutV	OutV + 0.3V	V	
t_{fall}	DRV0:3 Fall Time	See ⁽⁴⁾		7		ns	
I_{SRC}	DRV0:3 Source Current	DRV0:3 = 0V, $V_{CC12V} = 14V$, OutV = 5V	40	60		mA	
I_{SINK}	DRV0:3 Sink Current	DRV0:3 = 5V, $V_{CC12V} = 14V$, OutV = 5V	90	160	250	mA	
	B_{gOUT} Voltage	Current Limit Not Activated		4		V	
		Current Limit Activated		0			
I_{FB}	FB Pin Bias Current	FB = 2V		30		nA	
	B_{gOUT} Sink Current	$B_{gOUT} = 1V$	1.0	2.4	5	mA	
F_{OSC}	Oscillator Frequency	8.02k Ω from Rref Pin to Ground	7.0	8.0	8.7	MHz	
Δ_D	DRV0:3 Duty Cycle Match	Duty Cycle = 50%	-1		+1	%	
Δ_{ph}	DRV0:3 Phase Accuracy	Duty Cycle = 50%, $F_{clock} = 8 \text{ MHz}$	-1		+1	Deg	
T_{off}	PWM Off time	Divide by 4		22		%	
T_{off}		Divide by 3		22			
OutV	Drive Voltage Range	Output Freq. = 2MHz, $V_O = 2.00V$	0	12	V_{CC12}	V	
V_{OCC_CM}	Over-current Comparator Common Mode Range		3		12	V	
I_{B_OC+}	OC+ Input Bias Current	$V_{IN} = 5V$, OC+ = 5V, OC- = 4V	100	145	200	μA	
I_{B_OC-}	OC- Input Bias Current	$V_{IN} = 5V$, OC+ = 6V, OC- = 5V	85	125	165	μA	
V_{OS_OCC}	Over-current Comparator Input Offset Voltage	$V_{IN} = 5V$	2	16	42	mV	
		$V_{IN} = 12V$		21			
D_{MAX}	Maximun Duty Cycle	FB = 0V		78		%	
gm	Error Amplifier Transconductance			1.36		mmho	
V_{ramp}	Ramp Signal Peak-to-Peak Amplitude			2		V	
I_{comp}	COMP Pin Source Current		250	400	550	μA	

- (1) The letter **N** stands for the typical output voltages appearing in **italic boldface** type in [5-Bit DAC Output Voltage Table](#).
- (2) **Max** value of logic low means any voltage below this value is specified to be taken as logic low whereas a voltage higher than this value is not specified to be taken as a logic low.
- (3) **Min** value of logic high means any voltage above this value is specified to be taken as logic high whereas a voltage lower than this value is not specified to be taken as a logic high.
- (4) When driving bipolar FET drivers in the typical application circuit.

Electrical Characteristics (continued)

$V_{CC5V} = 5V$, $V_{CC12V} = 12V$ unless otherwise specified. Typical and limits appearing in plain type apply for $T_A = T_J = +25^\circ C$. Limits appearing in **boldface** type apply over the entire operating temperature range.

Symbol	Parameter	Conditions	Min	Typ	Max	Units
I_{comp}	COMP Pin Sink Current		160	280	400	μA
V_{comp_hi}	COMP Pin High Clamp			2.9		V
V_{comp_lo}	COMP Pin Low Clamp			0.19		V
V_{POR}	Power On Reset Trip Point	Vcc5V Pin Voltage Rising		4.0		V
		Vcc5V Pin Voltage Falling		3.6		
	Vcc12V Minimum Working Voltage	See ⁽⁵⁾		3.8		V
t_{SS}	Soft Start Delay	$F_{OSC} = 8MHz$		1.6		ms

(5) When Vcc12V pin goes below this voltage, all DRV pins go to 0V.

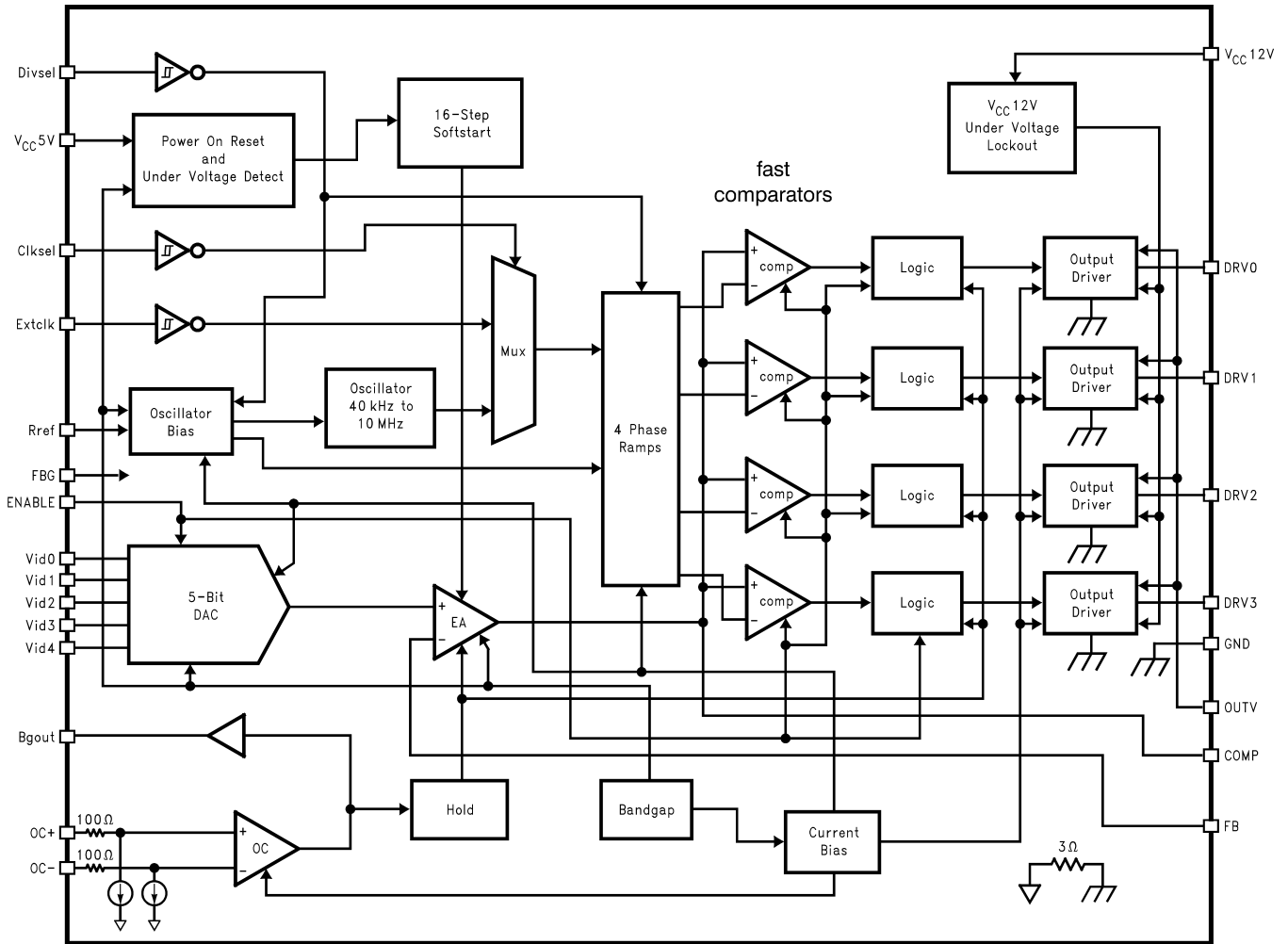
5-BIT DAC OUTPUT VOLTAGE TABLE

Symbol	Parameter	Conditions	Typical	Units
V _{DACOUT}	5-Bit DAC Output Voltages for Different VID Codes	VID4:0 = 01111	1.30	V
		VID4:0 = 01110	1.35	
		VID4:0 = 01101	1.40	
		VID4:0 = 01100	1.45	
		VID4:0 = 01011	1.50	
		VID4:0 = 01010	1.55	
		VID4:0 = 01001	1.60	
		VID4:0 = 01000	1.65	
		VID4:0 = 00111	1.70	
		VID4:0 = 00110	1.75	
		VID4:0 = 00101	1.80	
		VID4:0 = 00100	1.85	
		VID4:0 = 00011	1.90	
		VID4:0 = 00010	1.95	
		VID4:0 = 00001	2.00	
		VID4:0 = 00000	2.05	
		VID4:0 = 11111	2.0	
		VID4:0 = 11110	2.1	
		VID4:0 = 11101	2.2	
		VID4:0 = 11100	2.3	
		VID4:0 = 11011	2.4	
		VID4:0 = 11010	2.5	
		VID4:0 = 11001	2.6	
		VID4:0 = 11000	2.7	
		VID4:0 = 10111	2.8	
		VID4:0 = 10110	2.9	
		VID4:0 = 10101	3.0	
		VID4:0 = 10100	3.1	
VID4:0 = 10011	3.2			
VID4:0 = 10010	3.3			
VID4:0 = 10001	3.4			
VID4:0 = 10000	3.5			

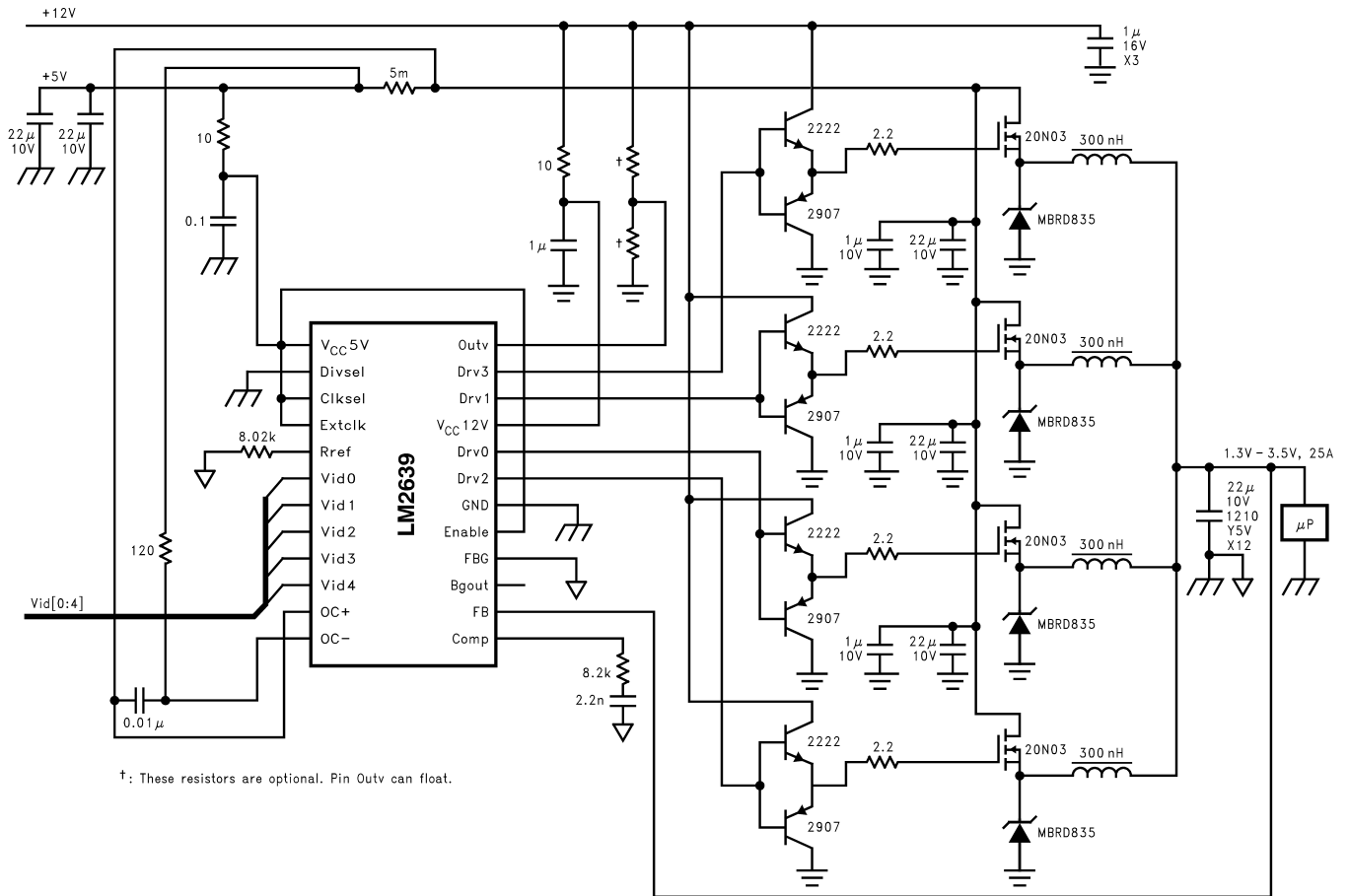
Pin Description

Pin	Pin Name	Pin Function
1	Vcc5V	Supply Voltage Input (5V nominal)
2	Divsel	Selects Phase Mode. Logic low selects 4 phase. Logic high selects 3 phase. 2 phase operation is achieved by using 2 outputs in 4 phase mode.
3	Clksel	Clock Select: Logic high selects internal clock. Logic low selects external clock.
4	Extclk	External Clock Input. Output frequency = Clock Input / No. of Phases. Connect to Vcc5V to select internal clock.
5	Rref	Connects to external reference resistor. Sets the operating frequency of the internal clock and the ramp time for the PWM. Reference voltage at this pin is 1.26V.
6	Vid0	5-Bit DAC Input (LSB).
7	Vid1	5-Bit DAC Input.
8	Vid2	5-Bit DAC Input.
9	Vid3	5-Bit DAC Input.
10	Vid4	5-Bit DAC Input (MSB)
11	OC+	Over-current Comparator. Non-inverting input.
12	OC-	Over-current Comparator. Inverting input.
13	COMP	Compensation Pin. This is the output of the internal transconductance amplifier. Compensation network should be connected between this pin and feedback ground FBG.
14	FB	Feedback Input. Normally Kelvin connected to supply output.
15	Bgout	Current Limit Flag. Goes to logic low when current limit is activated. When over-current condition is removed, this pin is weakly pulled up to Vcc5V.
16	FBG	Feedback Ground. This pin should be connected to the ground at the supply output.
17	ENABLE	Output Enable Pin. Tie to logic high to enable and logic low to disable.
18	GND	Power Ground Pin.
19	DRV2	Phase 2 Output.
20	DRV0	Phase 0 Output.
21	Vcc12V	Supply Voltage for FET Drivers DRV0:3.
22	DRV1	Phase 1 Output.
23	DRV3	Phase 3 Output.
24	OutV	Sets the maximum DRV0:3 drive voltage to reduce switching loss in external FET's.

Block Diagram



Typical Application



†: These resistors are optional. Pin Outv can float.

REVISION HISTORY

Changes from Revision B (April 2013) to Revision C	Page
• Changed layout of National Data Sheet to TI format	8

IMPORTANT NOTICE

Texas Instruments Incorporated and its subsidiaries (TI) reserve the right to make corrections, enhancements, improvements and other changes to its semiconductor products and services per JESD46, latest issue, and to discontinue any product or service per JESD48, latest issue. Buyers should obtain the latest relevant information before placing orders and should verify that such information is current and complete. All semiconductor products (also referred to herein as "components") are sold subject to TI's terms and conditions of sale supplied at the time of order acknowledgment.

TI warrants performance of its components to the specifications applicable at the time of sale, in accordance with the warranty in TI's terms and conditions of sale of semiconductor products. Testing and other quality control techniques are used to the extent TI deems necessary to support this warranty. Except where mandated by applicable law, testing of all parameters of each component is not necessarily performed.

TI assumes no liability for applications assistance or the design of Buyers' products. Buyers are responsible for their products and applications using TI components. To minimize the risks associated with Buyers' products and applications, Buyers should provide adequate design and operating safeguards.

TI does not warrant or represent that any license, either express or implied, is granted under any patent right, copyright, mask work right, or other intellectual property right relating to any combination, machine, or process in which TI components or services are used. Information published by TI regarding third-party products or services does not constitute a license to use such products or services or a warranty or endorsement thereof. Use of such information may require a license from a third party under the patents or other intellectual property of the third party, or a license from TI under the patents or other intellectual property of TI.

Reproduction of significant portions of TI information in TI data books or data sheets is permissible only if reproduction is without alteration and is accompanied by all associated warranties, conditions, limitations, and notices. TI is not responsible or liable for such altered documentation. Information of third parties may be subject to additional restrictions.

Resale of TI components or services with statements different from or beyond the parameters stated by TI for that component or service voids all express and any implied warranties for the associated TI component or service and is an unfair and deceptive business practice. TI is not responsible or liable for any such statements.

Buyer acknowledges and agrees that it is solely responsible for compliance with all legal, regulatory and safety-related requirements concerning its products, and any use of TI components in its applications, notwithstanding any applications-related information or support that may be provided by TI. Buyer represents and agrees that it has all the necessary expertise to create and implement safeguards which anticipate dangerous consequences of failures, monitor failures and their consequences, lessen the likelihood of failures that might cause harm and take appropriate remedial actions. Buyer will fully indemnify TI and its representatives against any damages arising out of the use of any TI components in safety-critical applications.

In some cases, TI components may be promoted specifically to facilitate safety-related applications. With such components, TI's goal is to help enable customers to design and create their own end-product solutions that meet applicable functional safety standards and requirements. Nonetheless, such components are subject to these terms.

No TI components are authorized for use in FDA Class III (or similar life-critical medical equipment) unless authorized officers of the parties have executed a special agreement specifically governing such use.

Only those TI components which TI has specifically designated as military grade or "enhanced plastic" are designed and intended for use in military/aerospace applications or environments. Buyer acknowledges and agrees that any military or aerospace use of TI components which have **not** been so designated is solely at the Buyer's risk, and that Buyer is solely responsible for compliance with all legal and regulatory requirements in connection with such use.

TI has specifically designated certain components as meeting ISO/TS16949 requirements, mainly for automotive use. In any case of use of non-designated products, TI will not be responsible for any failure to meet ISO/TS16949.

Products

Audio	www.ti.com/audio
Amplifiers	amplifier.ti.com
Data Converters	dataconverter.ti.com
DLP® Products	www.dlp.com
DSP	dsp.ti.com
Clocks and Timers	www.ti.com/clocks
Interface	interface.ti.com
Logic	logic.ti.com
Power Mgmt	power.ti.com
Microcontrollers	microcontroller.ti.com
RFID	www.ti-rfid.com
OMAP Applications Processors	www.ti.com/omap
Wireless Connectivity	www.ti.com/wirelessconnectivity

Applications

Automotive and Transportation	www.ti.com/automotive
Communications and Telecom	www.ti.com/communications
Computers and Peripherals	www.ti.com/computers
Consumer Electronics	www.ti.com/consumer-apps
Energy and Lighting	www.ti.com/energy
Industrial	www.ti.com/industrial
Medical	www.ti.com/medical
Security	www.ti.com/security
Space, Avionics and Defense	www.ti.com/space-avionics-defense
Video and Imaging	www.ti.com/video

TI E2E Community

e2e.ti.com